

LITTLE FARM ROAD SLAB ON GRADE IMPROVEMENTS

VICINITY MAP

BOARD OF COUNTY COMMISSIONERS:

THOMAS D'APRILE, DISTRICT 1
ADAM CUMMINGS, DISTRICT 2, CHAIRMAN
MAC HORTON, DISTRICT 3
MATTHEW D. DEBOER, DISTRICT 4
SARAH DEVOS, DISTRICT 5, VICE-CHAIRMAN

COUNTY ADMINISTRATOR:

JAN H. WINTERS

DIRECTOR OF PUBLIC WORKS:

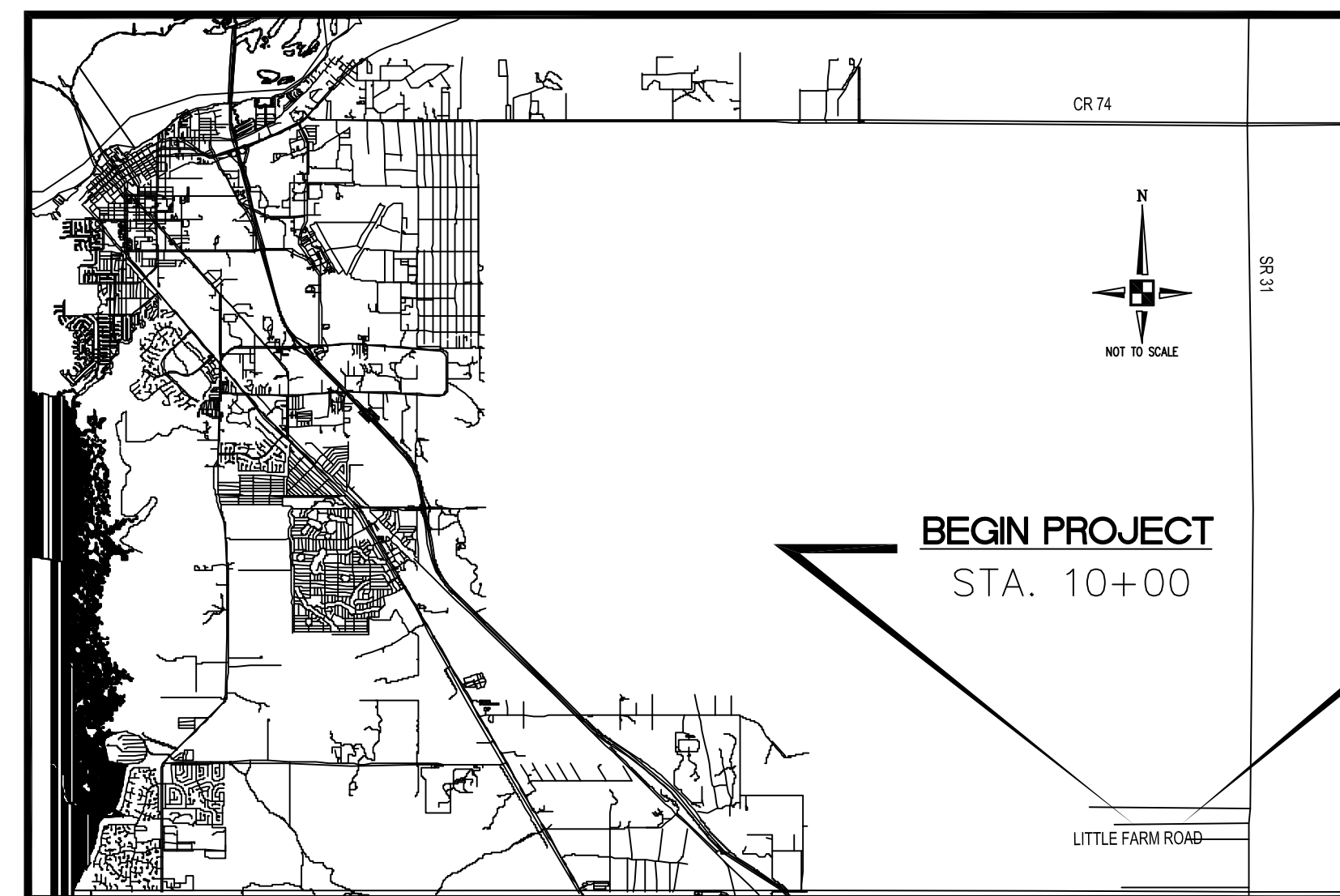
CRAIG V. McCONNELL, P.E.

COUNTY ENGINEER:

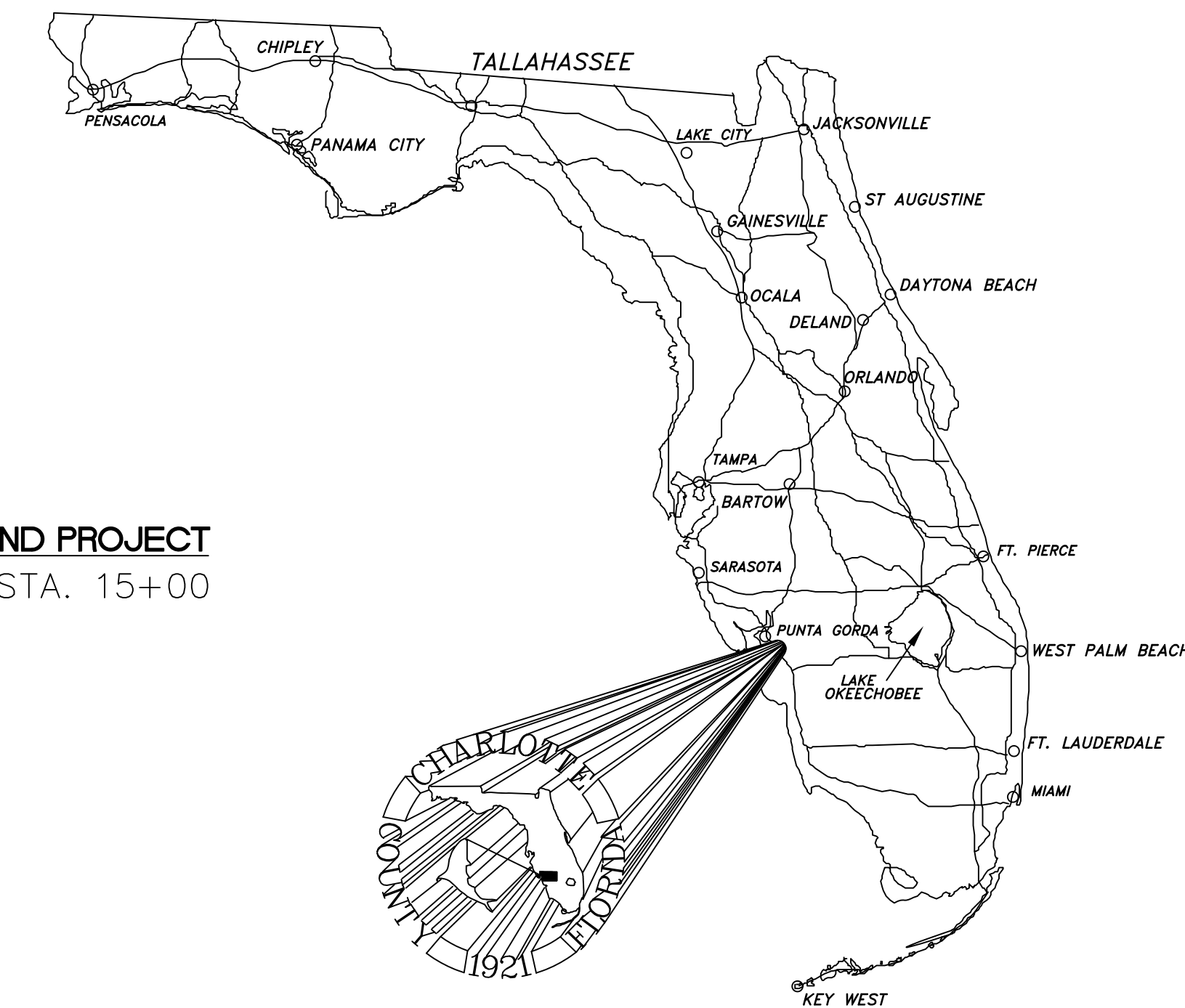
Tom O'Kane, P.E.

COUNTY SURVEYOR:

EDWARD J. McDONALD, P.L.S.

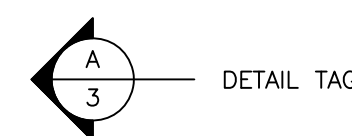


LENGTH OF PROJECT 500.00 FEET



SYMBOLS

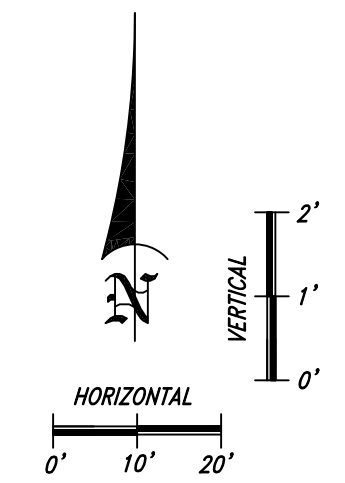
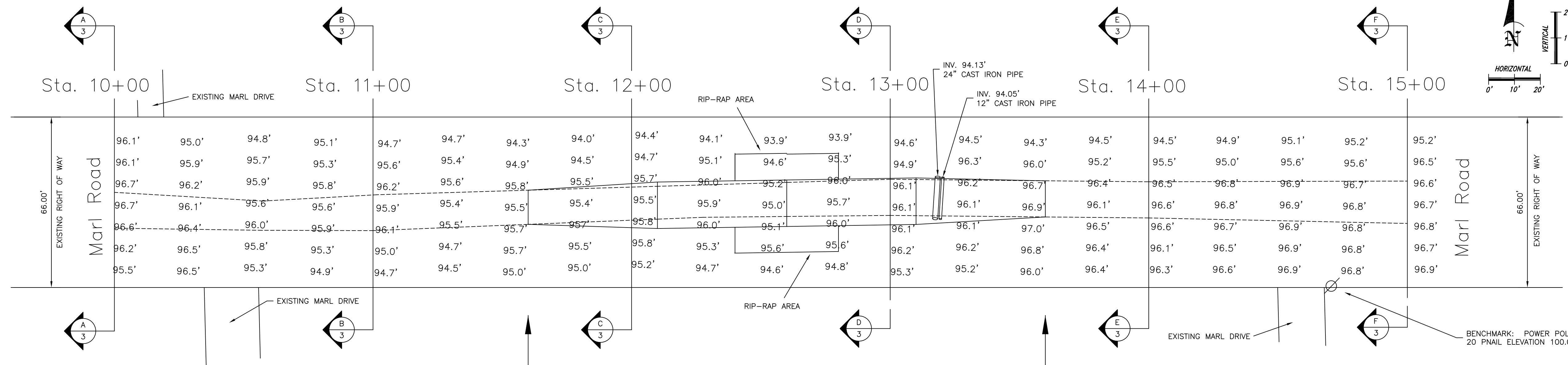
==== PROPOSED IMPROVEMENTS
- - - - - CENTER LINE EXISTING STREET
- - - - - EXISTING GRADE AT RIGHT OF WAY, NORTH SIDE



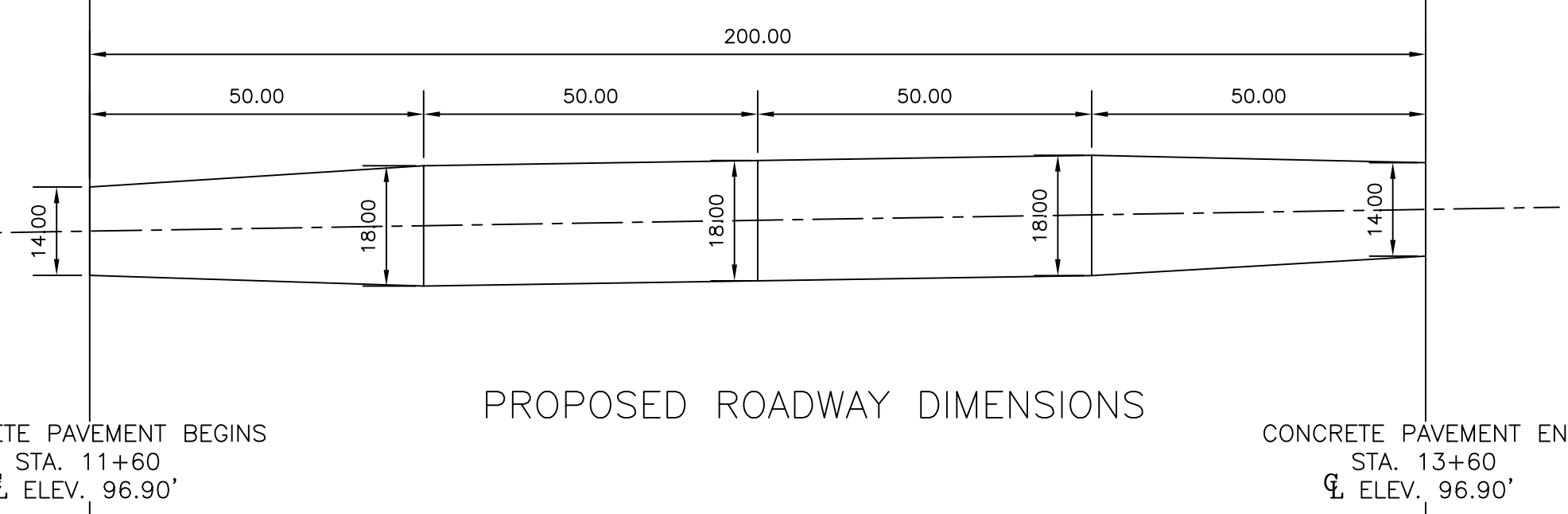
DETAIL TAG

INDEX

SHEET No.	SHEET DESCRIPTION
1	COVER SHEET
2	PLAN AND PROFILE
3	SECTIONS
4	DETAILS
5	DETAILS

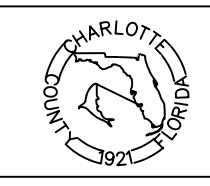
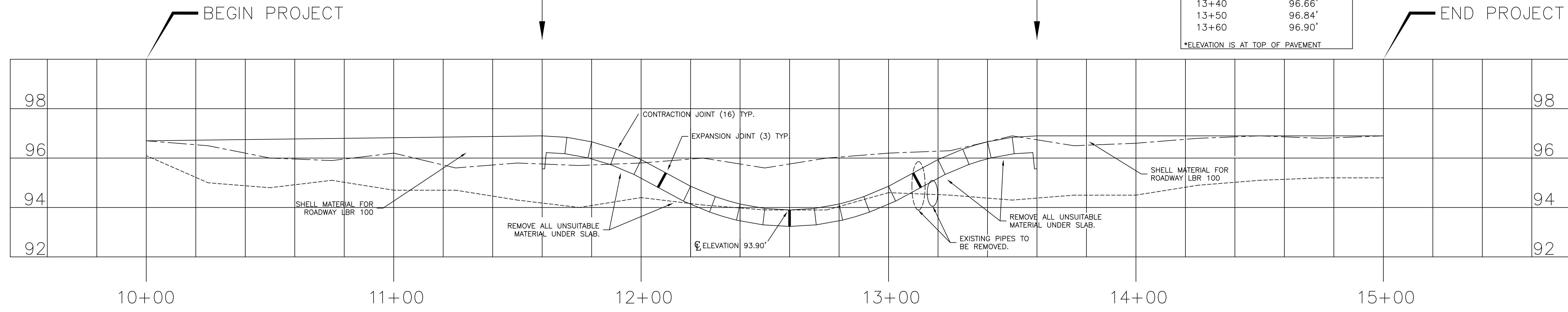


THERE SHALL BE A LONGITUDINAL CONSTRUCTION JOINT DOWN THE CENTERLINE OF PAVEMENT (SEE DETAILS)



CURVE DATA	
STATION	*ELEVATION
11+60	96.90'
11+70	96.84'
11+80	96.66'
11+90	96.36'
12+00	95.94'
12+10	95.40'
12+20	94.86'
12+30	94.44'
12+40	94.14'
12+50	93.96'
12+60	93.90'
12+70	93.96'
12+80	94.14'
12+90	94.44'
13+00	94.86'
13+10	95.40'
13+20	95.94'
13+30	96.36'
13+40	96.66'
13+50	96.84'
13+60	96.90'

*ELEVATION IS AT TOP OF PAVEMENT



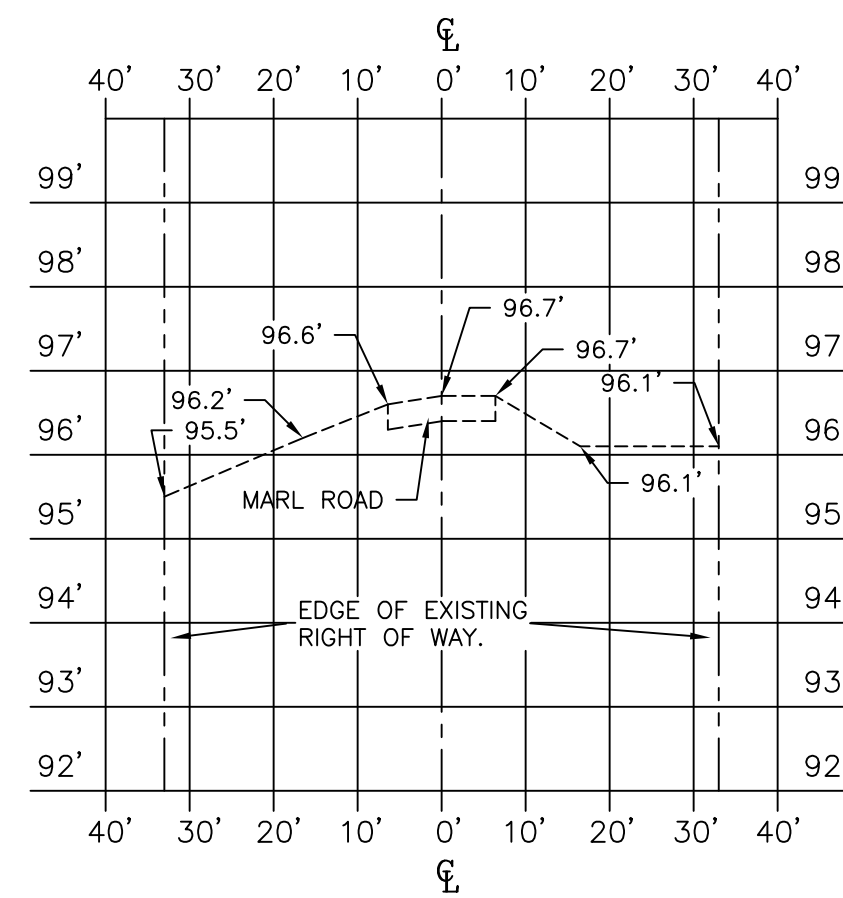
CHARLOTTE COUNTY PUBLIC WORKS
 MAINTENANCE AND ENGINEERING DEPARTMENT
 7000 FLORIDA STREET
 PUNTA GORDA, FL 33950
 (813) 375-3615

JOB NUMBER: SZ9901	DESIGNED BY: I. BROWNMAN	SHEET NUMBER: 2 of 5
DRAWN BY: B. HERNANDEZ	CHECKED BY: I. BROWNMAN	SCALE: GRAPHIC
DATE: 25 MARCH 1999	APPROVED BY:	FILE PATH: C:\WORK\PAVING\SLAB\PROJECTS\DATE FOR BROWNMAN\PAVING\SLAB

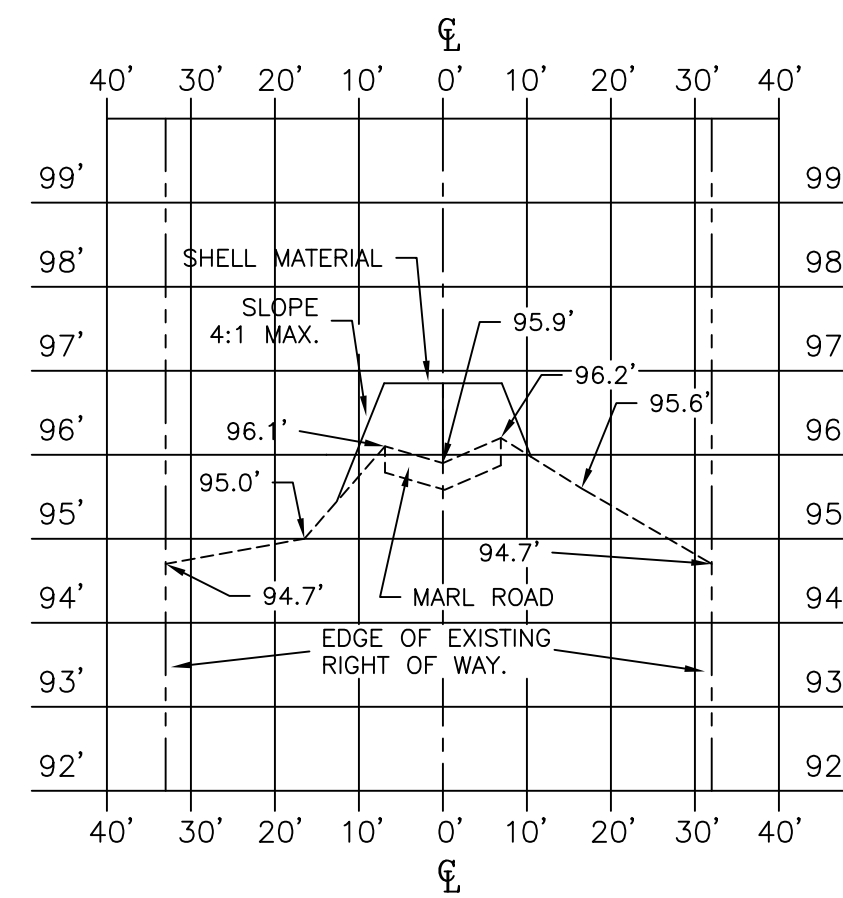
Little Farm Road
Slab on Grade

DATE	REVISION	BY

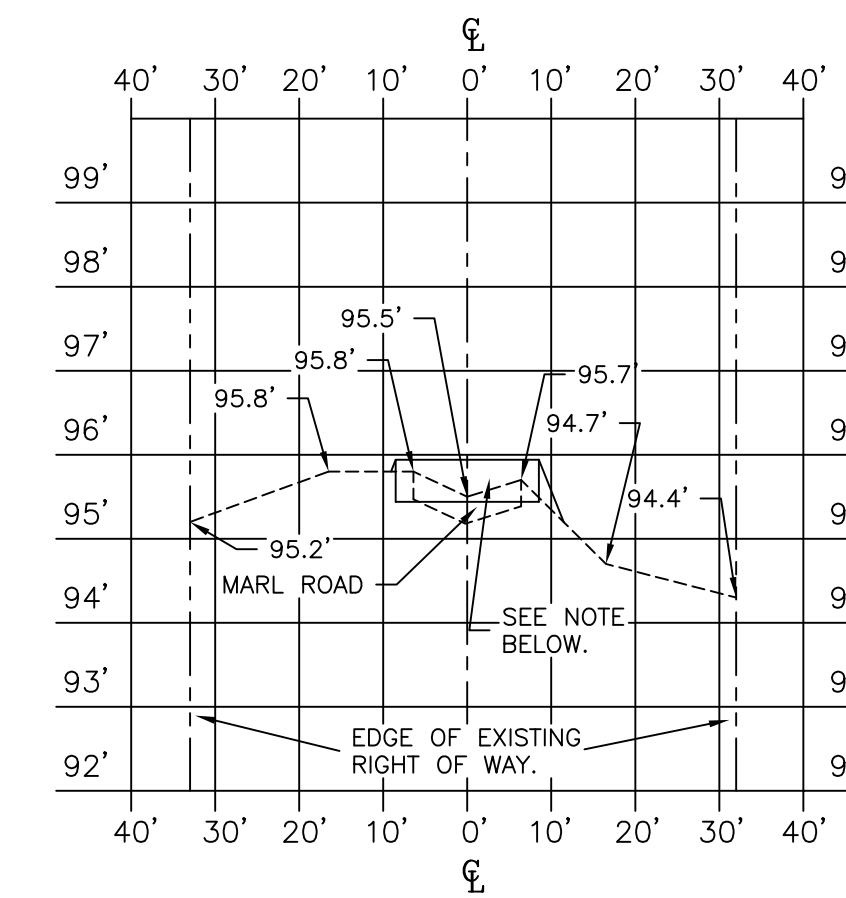
Charlotte County Public Works
Maintenance and Engineering Department



SECTION A/3 AT STATION POINT 10+00

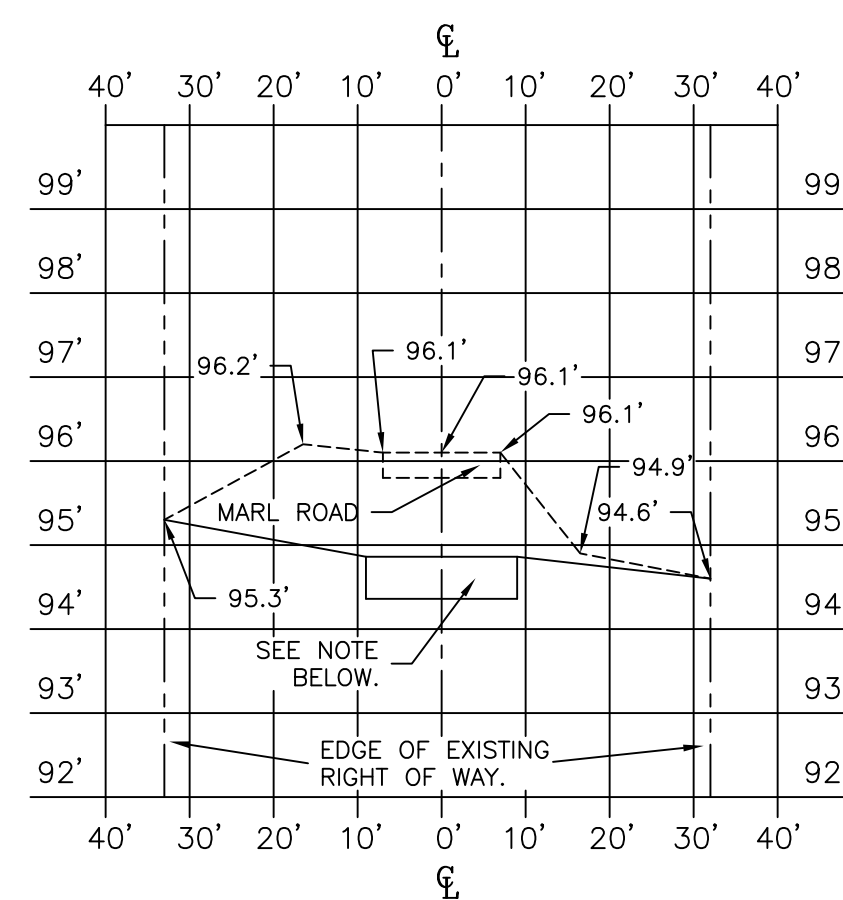


SECTION B/3 AT STATION POINT 11+00



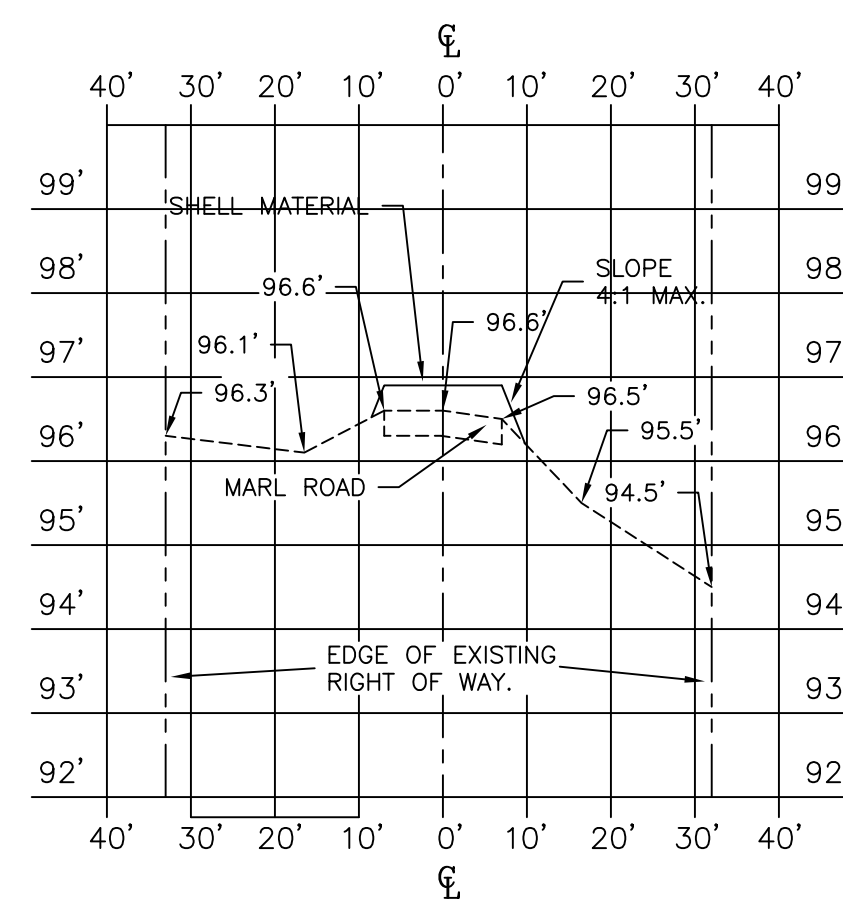
SECTION C/3 AT STATION POINT 12+00

PROPOSED IMPROVEMENTS TO SLOUGH:
17.05' WIDE BY 8.00" THICK PLAIN CEMENT CONCRETE PAVEMENT
AT CENTER LINE ELEVATION 95.94'.

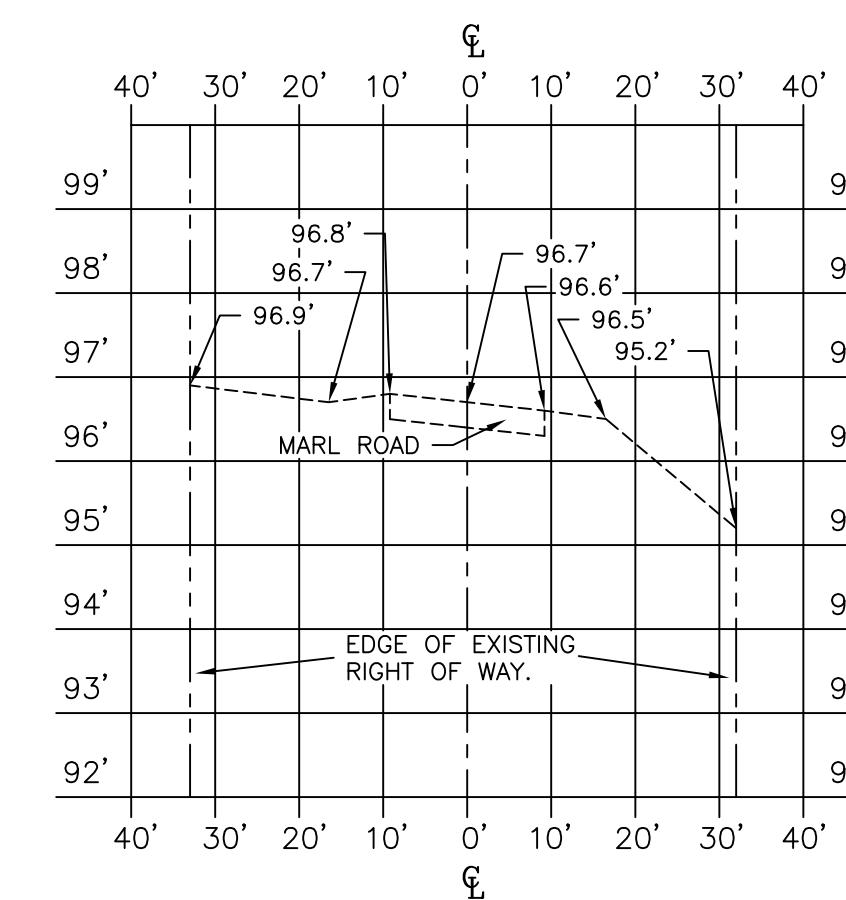


SECTION D/3 AT STATION POINT 13+00

PROPOSED IMPROVEMENTS TO SLOUGH:
18.00' WIDE BY 8.00" THICK PLAIN CEMENT CONCRETE PAVEMENT
AT CENTER LINE ELEVATION 94.86'.



SECTION E/3 AT STATION POINT 14+00



SECTION F/3 AT STATION POINT 15+00



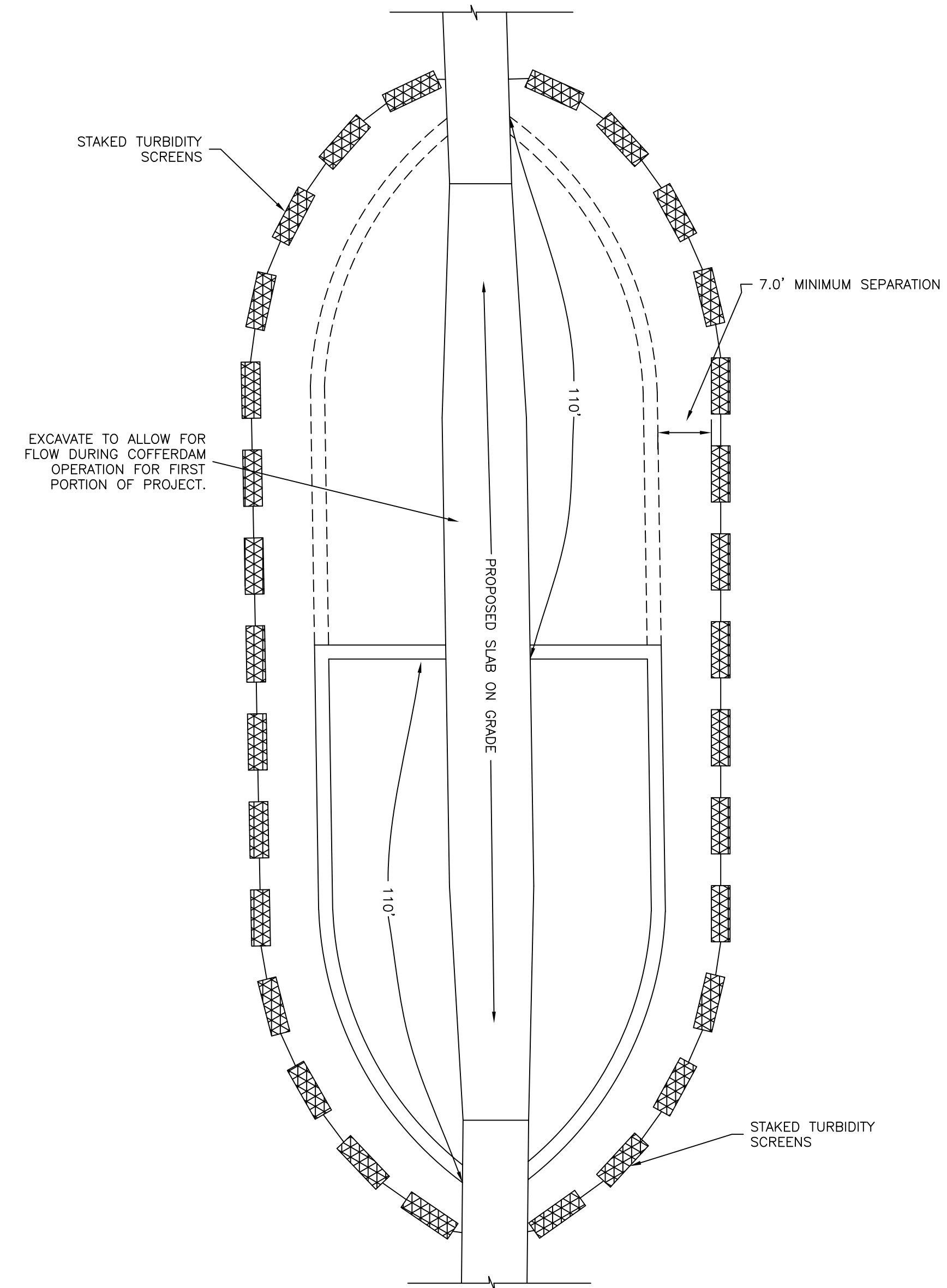
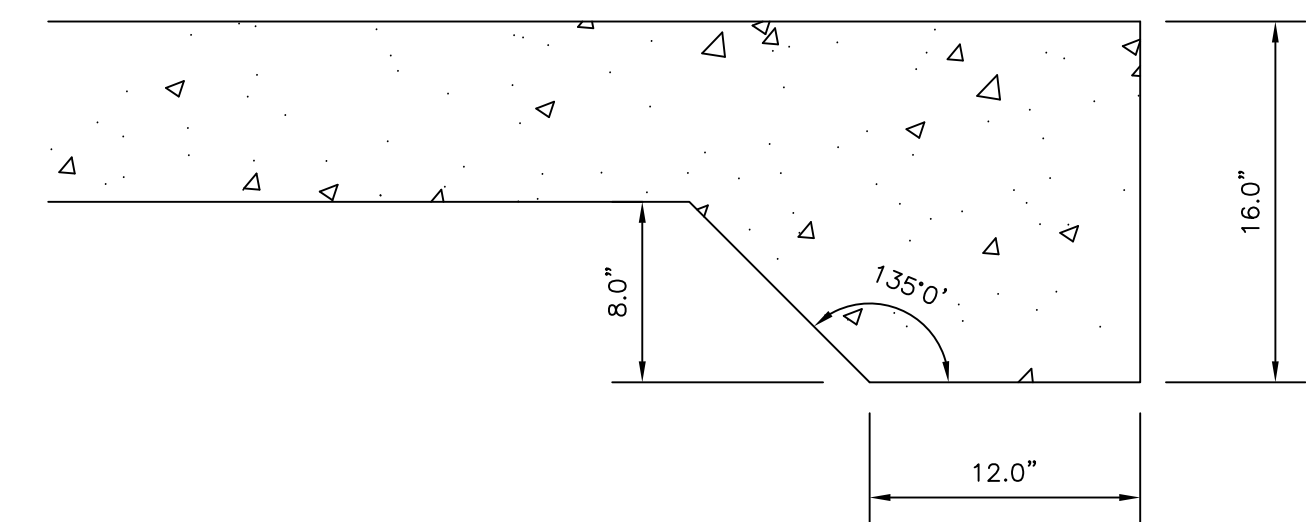
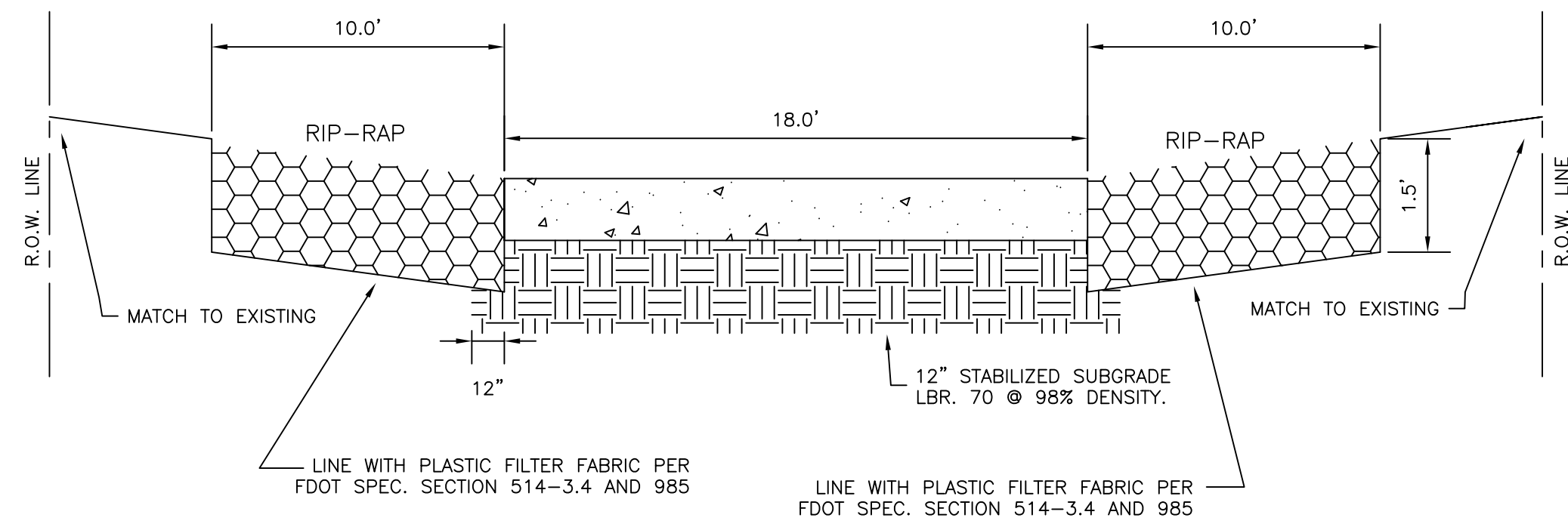
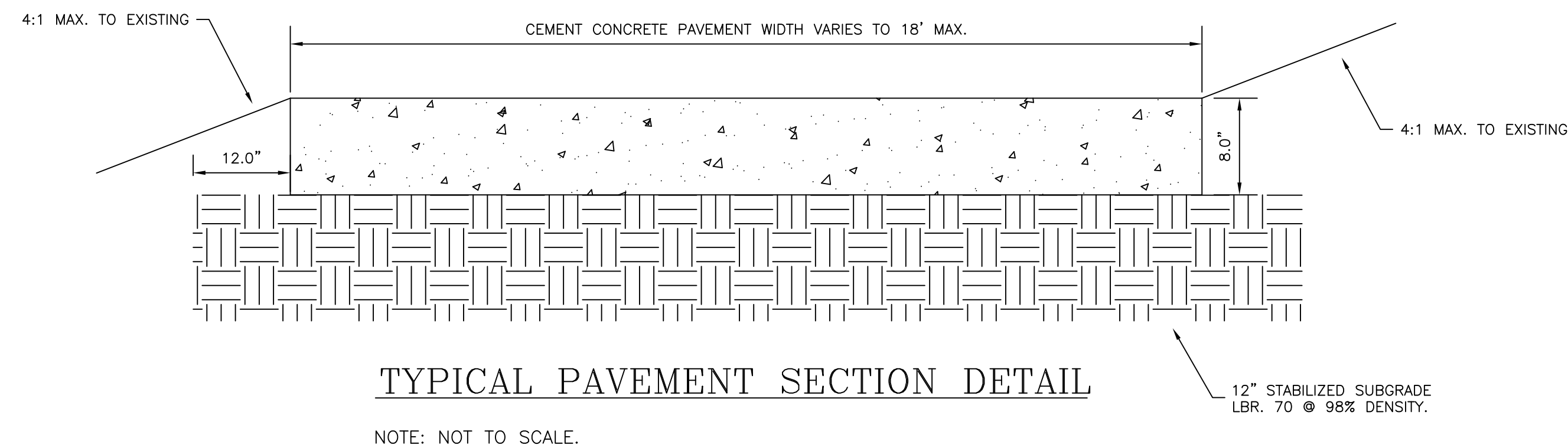
CHARLOTTE COUNTY PUBLIC WORKS
MAINTENANCE AND ENGINEERING DEPARTMENT
7000 FLORIDA STREET
PUNTA GORDA, FL 33950
(813) 375-3615

JOB NUMBER: SZ9901	DESIGNED BY: I. BROWNMAN	SHEET NUMBER: 3 of 5
DRAWN BY: B. HERNANDEZ	CHECKED BY: I. BROWNMAN	SCALE: GRAPHIC
DATE: 25 MARCH 1999	APPROVED BY:	FILE PATH: L:\DESIGN\PROJECTS\1999\14176 LITTLE FARM RD\DWG\SLAB\SLAB.DWG

Little Farm Road
Slab on Grade

DATE	REVISION	BY

Charlotte County Public Works
Maintenance and Engineering Department



- COFFERDAM DETAIL**
1. DAMING AND DRAINING WILL BE LIMITED TO ONE SIDE AT A TIME.
 2. DETAIL NOT TO SCALE--COFFERDAM OPERATIONS, DEWATERING, AND EROSION CONTROL TO BE PERFORMED WITHIN THE 66' COUNTY RIGHT OF WAY
 3. CONTRACTOR MAY START ON EITHER SIDE OF THE PROJECT FIRST



CHARLOTTE COUNTY PUBLIC WORKS
 MAINTENANCE AND ENGINEERING DEPARTMENT
 7000 FLORIDA STREET
 PUNTA GORDA, FL 33950
 (941) 575-3615

JOB NUMBER: SZ9901	DESIGNED BY: I. BROWNMAN	SHEET NUMBER: 5 of 5
DRAWN BY: B. HERNANDEZ	CHECKED BY: I. BROWNMAN	SCALE: GRAPHIC
DATE: 25 MARCH 1999	APPROVED BY:	FILE PATH: H:\MORRIS\PROJECTS\SLAB ON GRADE\PROJECTS\SLAB ON GRADE.DWG

Little Farm Road
 Slab on Grade

DATE	REVISION	BY

Charlotte County Public Works
 Maintenance and Engineering Department