

4021A17

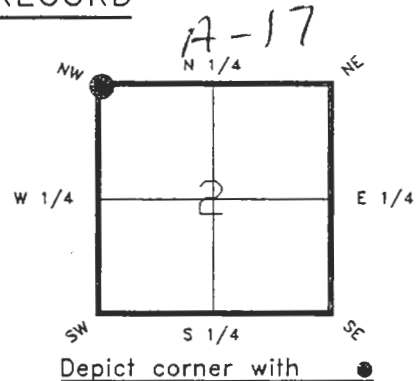
DOC. **0045133**

FLORIDA DEPARTMENT OF NATURAL RESOURCES  
CERTIFIED CORNER RECORD

CORNER DESCRIPTION:

     N.W.      corner of Section   2   ,  
Twp   40 S.   , Rge   21 E.   ,  
Tallahassee Base Meridian,

  CHARLOTTE   County(s), Florida.  
  SARASOTA  



MONUMENTATION DESCRIPTION:

Describe original monument and accessories, or subsequent restoration. Give sources of information. (If no attempt was made to search for the original monument and accessories, this information is not necessary.)  
  NONE FOUND  

Description of corner evidence found:  
  P.K. NAIL & WASHER ON SURFACE PAVEMENT    
  SET CHARLOTTE COUNTY MONUMENT & WELL  

State method(s) to determine corner location (lost corners only):

**RECEIVED**  
**MAR 25 1995**  
**SURVEY & MAPPING**

HORIZONTAL POSITION INFORMATION ( if determined ):

Latitude   27°01'58.13000"N   Longitude   82°11'19.47661"W    
Y(Northing)   299053.760(M)   X(Easting)   181272.807(M)   Zone   FL W    
Convergence   -0°05'08.824"   Scale factor   0.99994550  

Coordinate determination (circle one):           Field traverse            **GPS**  
Horizontal datum (circle one):   NAD27   NAD83(1986)    **NAD83(1990)**   other (explain)

Order of accuracy as defined in "Standards and Specifications for Geodetic Control Networks" published by the Federal Geodetic Control Committee (circle one):  
1st,  **2nd**, 3rd, class   1   ,

or Minimum Technical Standards (Chapter 21HH-6, F.A.C.) ratio of closure for field data (example 1:10,000),                      . This does not specify an order of accuracy.

Control point(s) used for survey:

Comments:

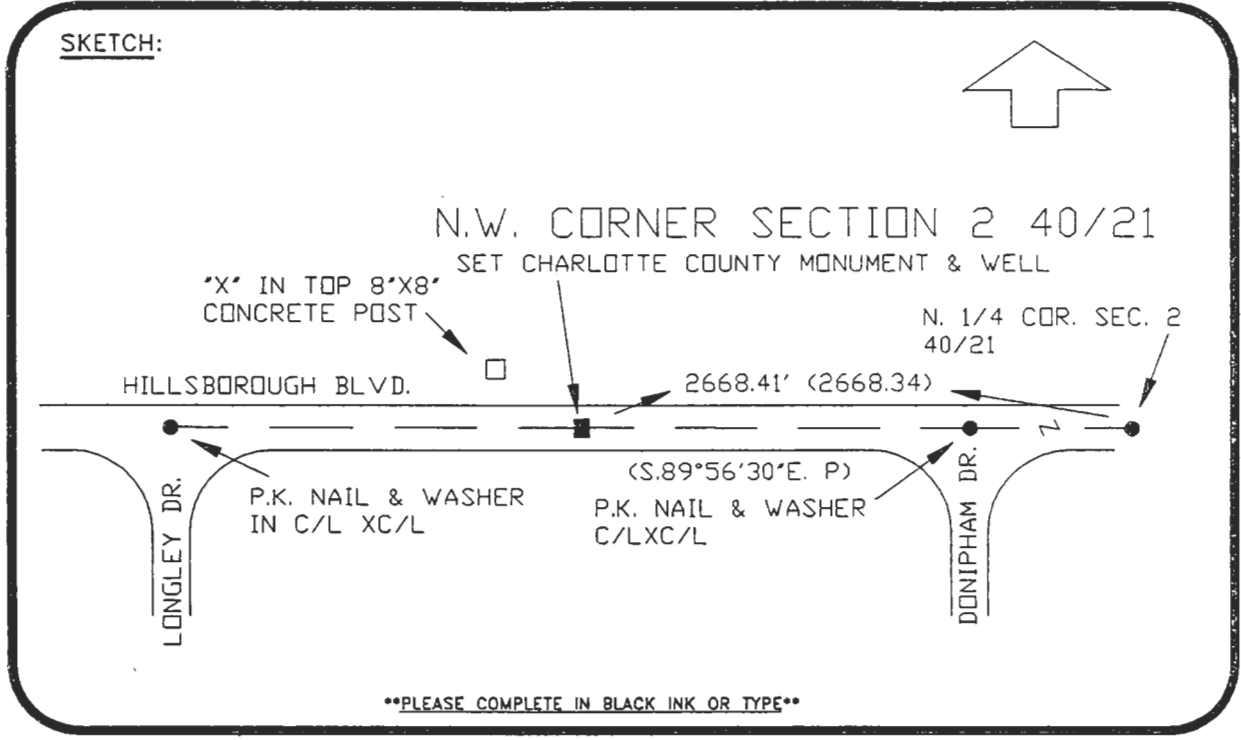
**\*\*PLEASE SEND ORIGINAL ONLY\*\***  
**\*\*PLEASE COMPLETE IN BLACK INK OR TYPE\*\***

DNR 53-001(16)  
REV: 7/16/92  
PAGE 1 OF 2

0045133

DOC. #

SKETCH:



\*\*PLEASE COMPLETE IN BLACK INK OR TYPE\*\*

(BASIS OF BEARING-PLAT DATA-REFER-PORT CHARLOTTE SUBD. SEC. 30 P.B. 5 PG. 23)  
 All bearings and distances must be from the corner to the witness. Indicate whether corner was found, set, or replaced and show north arrow. REFER F.B. 273-15

REFERENCE MEASUREMENTS ( at least three vicinity references must be given below even if they appear on the above sketch ):

Description	Bearing	Distance
P.K. NAIL & WASHER C/L X C/L	S.89°56'30"E.	224.90 (225.00 P)
"X" IN TOP 8"X 8" CONCRETE POST	N.56°12'22"W.	55.43'
P.K. NAIL & WASHER C/L X C/L	N.89°56'30"W.	225.03'

SURVEYORS CERTIFICATE: I certify the monument and accessories indicated above were field located on NOVEMBER 3, 19 91.

SIGNATURE: *[Handwritten Signature]* PLS 4260

DATE: 3-23-93

FIRM OR AGENCY: CHARLOTTE COUNTY SURVEY DEPT.

ADDRESS: 7000 FLORIDA STREET

CITY: PUNTA GORDA, FLA. 33950 STATE



Completeness checked by: *[Handwritten Signature]*  
 Accepted and filed: *[Handwritten Signature]* Date: 4-9-93  
 B.L.M. - I.D. 03343502 D.N.R. USE ONLY

SEND TO:  
 Department of Natural Resources  
 Bureau of Survey and Mapping  
 3900 Commonwealth Boulevard  
 Mail Station 105  
 Tallahassee, Florida 32399

DNR 53-001(16)  
 REV. 7/16/92  
 PAGE 2 OF 2