

4021A21

DOC. #

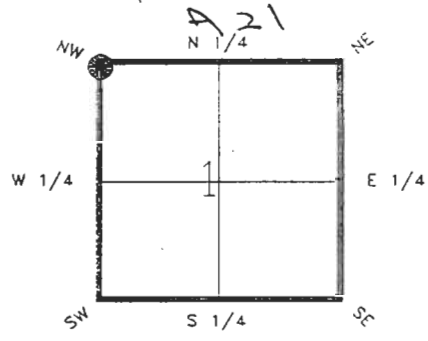
~~0045484~~


FLORIDA DEPARTMENT OF NATURAL RESOURCES
CERTIFIED CORNER RECORD

CORNER DESCRIPTION:

N.W. corner of Section 1 ,
Twp 40 S. , Rge 21 E. ,
Tallahassee Base Meridian,

CHARLOTTE County(s), Florida.
SARASOTA



Depict corner with 

MONUMENTATION DESCRIPTION:

Describe original monument and accessories, or subsequent restoration. Give sources of information. (If no attempt was made to search for the original monument and accessories, this information is not necessary.)

NONE FOUND

Description of corner evidence found:

P.K. NAIL & WASHER ON SURFACE OF PAVEMENT

SET CHARLOTTE COUNTY MONUMENT & WELL

State method(s) to determine corner location (lost corners only):

HORIZONTAL POSITION INFORMATION (if determined):

Latitude 27°01'57.98816"N Longitude 82°10'20.33566"W
Y(Northing) 299047.062(M) X(Easting) 182902.303(M) Zone FL W
Convergence -0°04'41.943" Scale factor 0.99994478

Coordinate determination (circle one): Field traverse GPS

Horizontal datum (circle one): NAD27 NAD83(1986) NAD83(1990) other (explain)

Order of accuracy as defined in "Standards and Specifications for Geodetic Control Networks" published by the Federal Geodetic Control Committee (circle one):
1st 2nd 3rd, class 1 ,

or Minimum Technical Standards (Chapter 21HH-6, F.A.C.) ratio of closure for field data (example 1:10,000), _____ . This does not specify an order of accuracy.

Control point(s) used for survey:

Comments:

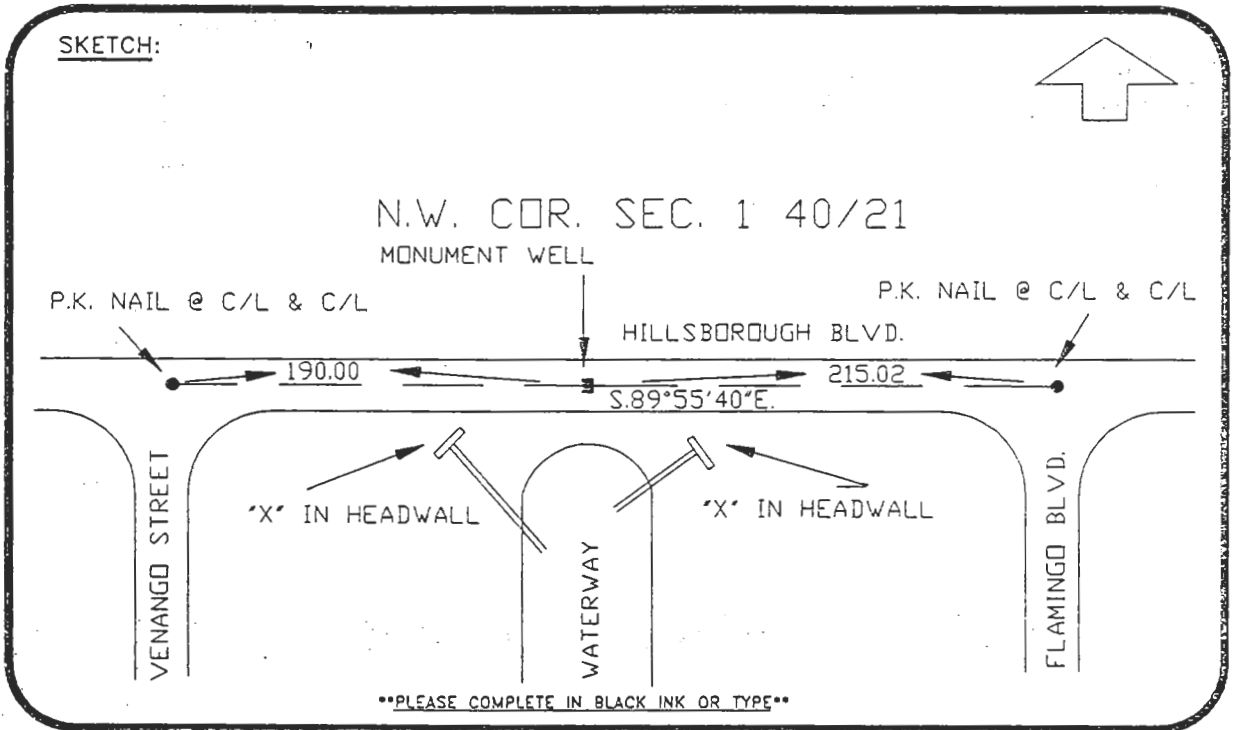
****PLEASE SEND ORIGINAL ONLY****
****PLEASE COMPLETE IN BLACK INK OR TYPE****

DNR 53-001(16)
REV: 7/16/92
PAGE 1 OF 2

0045484

DOC. #

SKETCH:



PLEASE COMPLETE IN BLACK INK OR TYPE

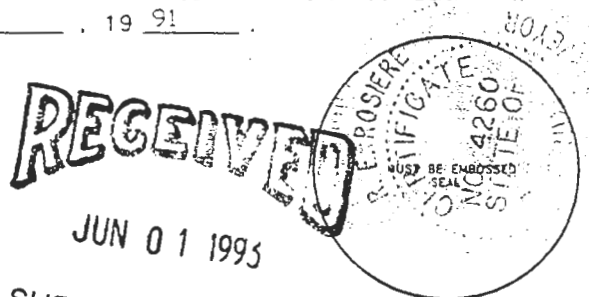
(BASIS OF BEARING PLAT DATA-REFER-PORT CHARLOTTE SUBD., SEC. 22 P. 3.5 PG. 13)
All bearings and distances must be from the corner to the witness. Indicate whether corner was found, set, or replaced and show north arrow. REFER: B. 273-04

REFERENCE MEASUREMENTS (at least three vicinity references must be given below even if they appear on the above sketch):

Description	Bearing	Distance
"X" IN HEADWALL	S.71°00'30"W	63.07'
"X" IN HEADWALL	S.62°19'47"E	53.81'
P.K. NAIL @ C/L X C/L VENANGO	N.89°55'40"W	190.00'
P.K. NAIL @ C/L XC/L FLAMINGO	S.89°55'40"E	215.02'

SURVEYORS CERTIFICATE: I certify the monument and accessories indicated above were field located on SEPTEMBER 30, 19 91

SIGNATURE [Signature] PLS 4260
DATE 5-27-93
CHARLOTTE COUNTY SURVEY DEPT.
FIRM OR AGENCY
7000 FLORIDA STREET
ADDRESS
PUNTA GORDA, FLA. 33950
CITY STATE



SURVEY & MAPPING
SEND TO:

Department of Natural Resources
Bureau of Survey and Mapping
3900 Commonwealth Boulevard
Mail Station 105
Tallahassee, Florida 32399
DNR 53-001(16)
REV. 7/16/92
PAGE 2 OF 2

Completeness checked by: [Signature]
Accepted and filed: [Signature]
Date 6-9-93
B.L.M. - I.D. 02353601 D.N.R. USE ONLY