

4021J09

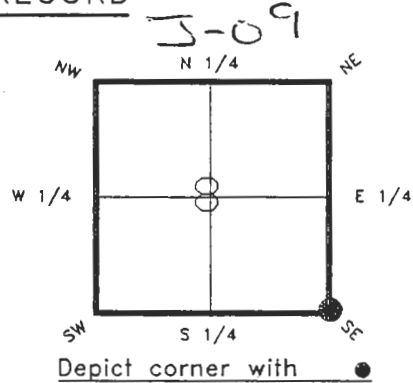
DOC. #

0045127

FLORIDA DEPARTMENT OF NATURAL RESOURCES
CERTIFIED CORNER RECORD

CORNER DESCRIPTION:

S.E. corner of Section 8,
Twp 40 S., Rge 21 E.,
Tallahassee Base Meridian,
CHARLOTTE County(s), Florida.



MONUMENTATION DESCRIPTION:

Describe original monument and accessories, or subsequent restoration. Give sources of information. (If no attempt was made to search for the original monument and accessories, this information is not necessary.)

RECEIVED

MAY 25 1993

SURVEY & MAPPING

Description of corner evidence found:

SET CHARLOTTE COUNTY MONUMENT & WELL

State method(s) to determine corner location (lost corners only):

OBLITERATED POSITION DETERMINED BY SINGLE PROPORTION OF PLAT DISTANCES AND PLAT BEARING FROM EXISTING MONUMENTATION FOUND.

HORIZONTAL POSITION INFORMATION (if determined):

Latitude 27°00'13.43040"N Longitude 82°13'18.45907"W
Y(Northing) 295836.743(M) X(Easting) 177987.831(M) Zone FL W
Convergence -0°06'02.541" Scale factor 0.99994716

Coordinate determination (circle one): Field traverse GPS

Horizontal datum (circle one): NAD27 NAD83(1986) NAD83(1990) other (explain)

Order of accuracy as defined in "Standards and Specifications for Geodetic Control Networks" published by the Federal Geodetic Control Committee (circle one): 1st, 2nd, 3rd; class 1

or Minimum Technical Standards (Chapter 21HH-6, F.A.C.) ratio of closure for field data (example 1:10,000), . This does not specify an order of accuracy.

Control point(s) used for survey:

Comments:

RAILROAD SPIKE IS INTENDED FOR TEMPORY MONUMENTATION ONLY, REPLACEMENT BY G.P.S. MONUMENTATION IS SCHEDULED.

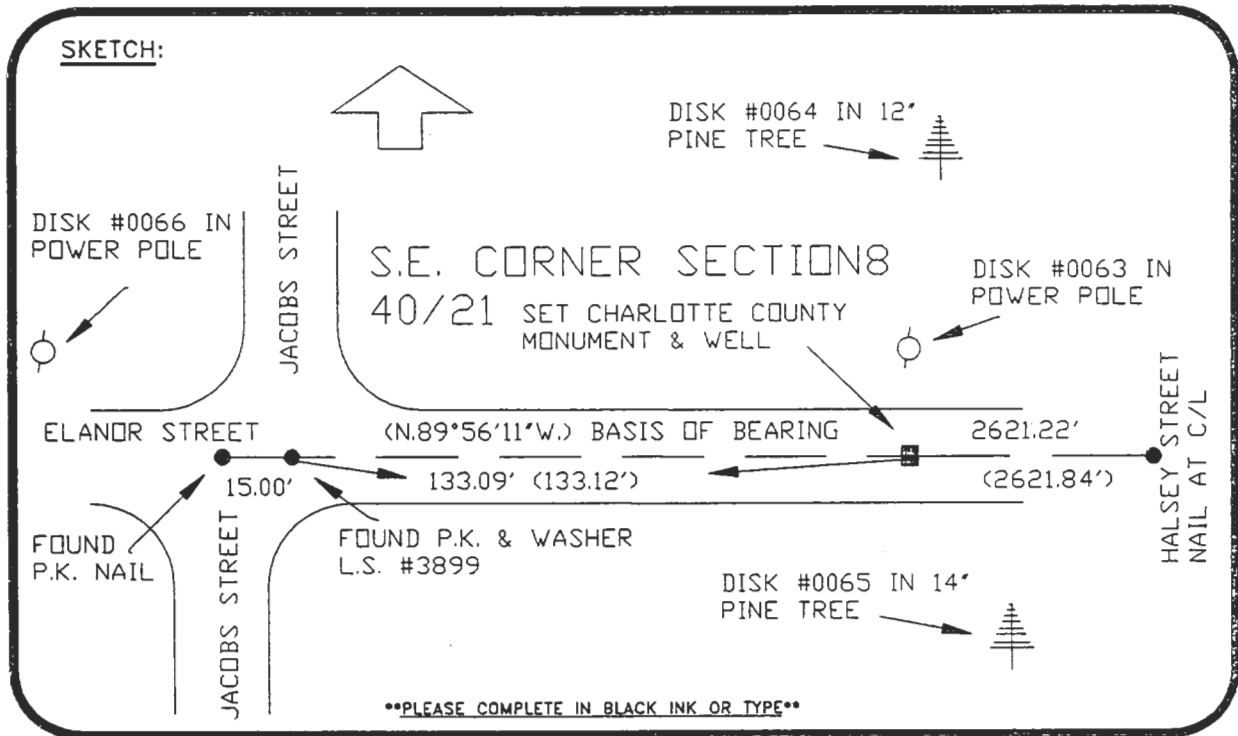
PLEASE SEND ORIGINAL ONLY
PLEASE COMPLETE IN BLACK INK OR TYPE

DNR 53-001(16)
REV: 7/16/92
PAGE 1 OF 2

0045127

DOC. #

SKETCH:



REFER: PORT CHARLOTTE SUBDIVISION, SECTION 49, PLAT BOOK 5 PAGE 65

All bearings and distances must be from the corner to the witness. Indicate whether corner was found, set, or replaced and show north arrow.

BASIS OF BEARING FROM SUBDIVISION PLAT REFER: F.B. 273-39
REFERENCE MEASUREMENTS (at least three vicinity references must be given below even if they appear on the above sketch):

Description	Bearing	Distance
DISK #0063 IN POWER POLE	N.00°01'23\"W.	23.18'
DISK #0064 IN 12\" PINE TREE	N.06°23'04\"E.	61.62'
DISK #0065 IN 14\" PINE TREE	S.27°30'21\"E.	49.49'
DISK #0066 IN POWER POLE	N.83°02'09\"W.	186.71'

SURVEYORS CERTIFICATE: I certify the monument and accessories indicated above were field located on FEBRUARY 20, 19 92.

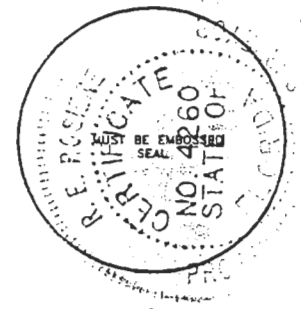
SIGNATURE: [Signature] PLS 4260

DATE: 2-23-92

FIRM OR AGENCY: CHARLOTTE COUNTY SURVEY DEPT.

ADDRESS: 7000 FLORIDA STREET

CITY: PUNTA GORDA, STATE: FLA. 33950



SEND TO:

Department of Natural Resources
Bureau of Survey and Mapping
3900 Commonwealth Boulevard
Mail Station 105
Tallahassee, Florida 32399

DNR 53-001(16)
REV. 7/16/92
PAGE 2 OF 2

Completeness checked by: [Signature]
 Accepted and filed: 4-9-92 Date
 B.L.M. - I.D. 17080916 D.N.R. USE ONLY