

4021J13

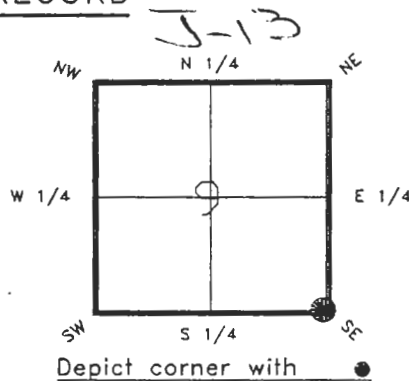
DOC. #

0045132

FLORIDA DEPARTMENT OF NATURAL RESOURCES
CERTIFIED CORNER RECORD

CORNER DESCRIPTION:

S.E. corner of Section 9 ,
Twp 40 S. , Rge 21 E. ,
Tallahassee Base Meridian,
CHARLOTTE County(s), Florida.



MONUMENTATION DESCRIPTION:

Describe original monument and accessories, or subsequent restoration. Give sources of information. (If no attempt was made to search for the original monument and accessories, this information is not necessary.)

Description of corner evidence found:
5/8" IRON ROD FLUSH WITH PAVEMENT
SET CHARLOTTE COUNTY MONUMENT & WELL

State method(s) to determine corner location (lost corners only):

RECEIVED
MAR 25 1993
SURVEY & MAPPING

HORIZONTAL POSITION INFORMATION (if determined):

Latitude 27°00'13.18570"N Longitude 82°12'19.62061"W
Y(Northing) 295826.466(M) X(Easting) 179609.900(M) Zone FL W
Convergence -0°05'35.824" Scale factor 0.99994631

Coordinate determination (circle one): Field traverse GPS

Horizontal datum (circle one): NAD27 NAD83(1986) NAD83(1990) other (explain)

Order of accuracy as defined in "Standards and Specifications for Geodetic Control Networks" published by the Federal Geodetic Control Committee (circle one):
1st, 2nd, 3rd, class 1

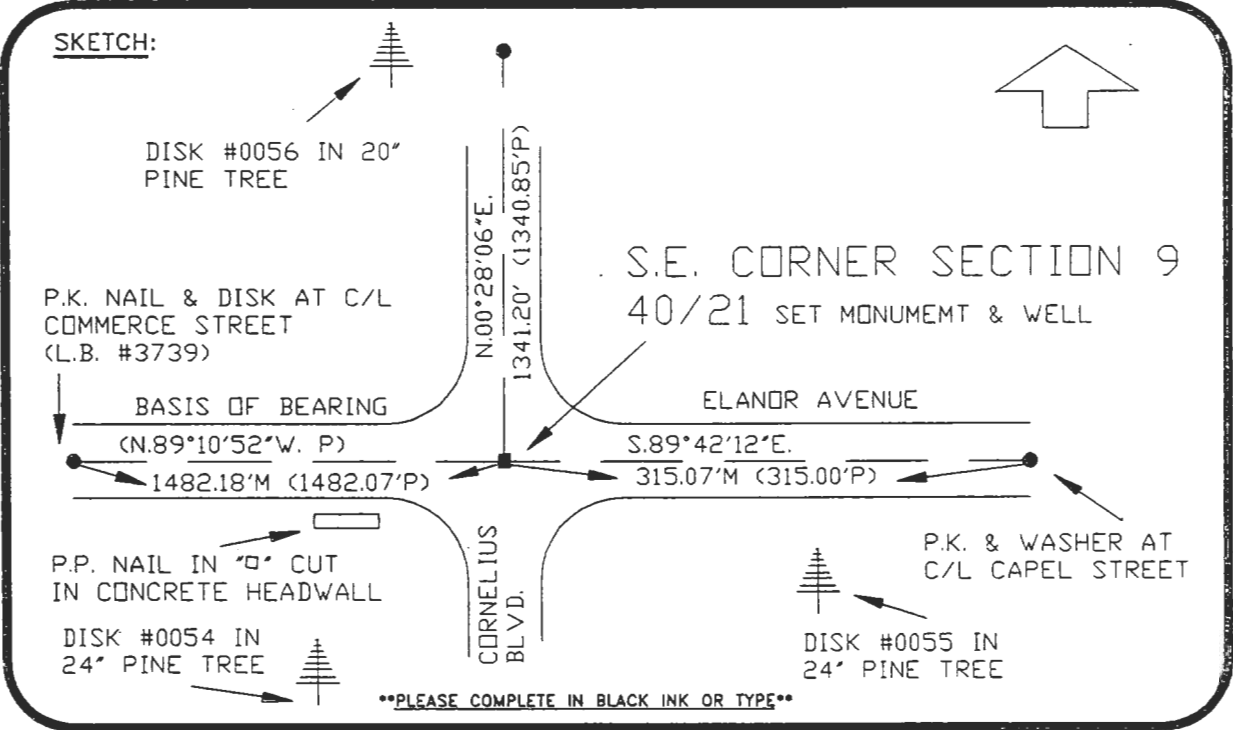
or Minimum Technical Standards (Chapter 21HH-6, F.A.C.) ratio of closure for field data (example 1:10,000), . This does not specify an order of accuracy.

Control point(s) used for survey:

Comments:

PLEASE SEND ORIGINAL ONLY
PLEASE COMPLETE IN BLACK INK OR TYPE

DNR 53-001(16)
REV: 7/16/92
PAGE 1 OF 2



REFER: PORT CHARLOTTE SUBDIVISION, SECTION 98, PLAT BOOK 13 PAGE 5

All bearings and distances must be from the corner to the witness. Indicate whether corner was found, set, or replaced and show north arrow.

BASIS OF BEARING FROM SUBDIVISION PLAT REFER: F.B. 273 - 36

REFERENCE MEASUREMENTS (at least three vicinity references must be given below even if they appear on the above sketch):

Description	Bearing	Distance
DISK #0054 IN 24' PINE TREE	S.39°42'33"W.	128.72'
DISK #0055 IN 24' PINE TREE	S.67°44'22"E.	149.30'
DISK #0056 IN 20' PINE TREE	N.14°43'02"W.	198.26'
P.K. NAIL IN "□" CUT IN HEADWALL	S.70°20'16"W.	45.24'

SURVEYORS CERTIFICATE: I certify the monument and accessories indicated above were field located on FEBRUARY 18, 19 92.

[Signature] PLS 4260
SIGNATURE

3-23-93
DATE

CHARLOTTE COUNTY SURVEY DEPT.
FIRM OR AGENCY

7000 FLORIDA STREET
ADDRESS

PUNTA GORDA, FLA. 33950
CITY STATE



SEND TO:

Department of Natural Resources
Bureau of Survey and Mapping
3900 Commonwealth Boulevard
Mail Station 105
Tallahassee, Florida 32399

DNR 53-001(16)
REV. 7/16/92
PAGE 2 OF 2

Completeness checked by: [Signature]
Accepted and filed: 4-9-93 Date
B.L.M. - I.D. 16091015 D.N.R. USE ONLY