

4021L25

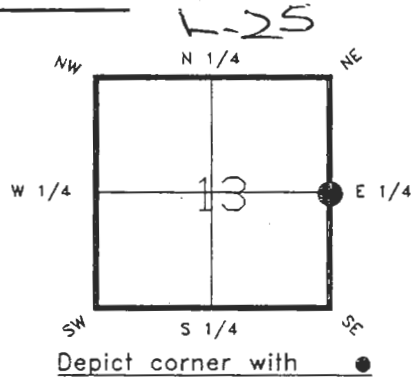
DOC. #

0045140

FLORIDA DEPARTMENT OF NATURAL RESOURCES
CERTIFIED CORNER RECORD

CORNER DESCRIPTION:

E. 1/4 corner of Section 13 ,
Twp 40 S. , Rge 21 E. ,
Tallahassee Base Meridian,
CHARLOTTE County(s), Florida.



MONUMENTATION DESCRIPTION:

Describe original monument and accessories, or subsequent restoration. Give sources of information. (If no attempt was made to search for the original monument and accessories, this information is not necessary.)
NONE FOUND

Description of corner evidence found:

3/4" IRON PIPE (0.1' BELOW SURFACE PAVEMENT)

State method(s) to determine corner location (lost corners only):

HORIZONTAL POSITION INFORMATION (if determined):

Latitude 26°59'45.75219"N Longitude 82°09'21.56920"W
Y(Northing) 294975.115(M) X(Easting) 184517.444(M) Zone FL W
Convergence -0°04'14.913" Scale factor 0.99994413

Coordinate determination (circle one): Field traverse GPS

Horizontal datum (circle one): NAD27 NAD83(1986) NAD83(1990) other (explain)

Order of accuracy as defined in "Standards and Specifications for Geodetic Control Networks" published by the Federal Geodetic Control Committee (circle one):
1st, 2nd, 3rd, class 1 ,

or Minimum Technical Standards (Chapter 21HH-6, F.A.C.) ratio of closure for field data (example 1:10,000), . This does not specify an order of accuracy.

Control point(s) used for survey:

Comments:

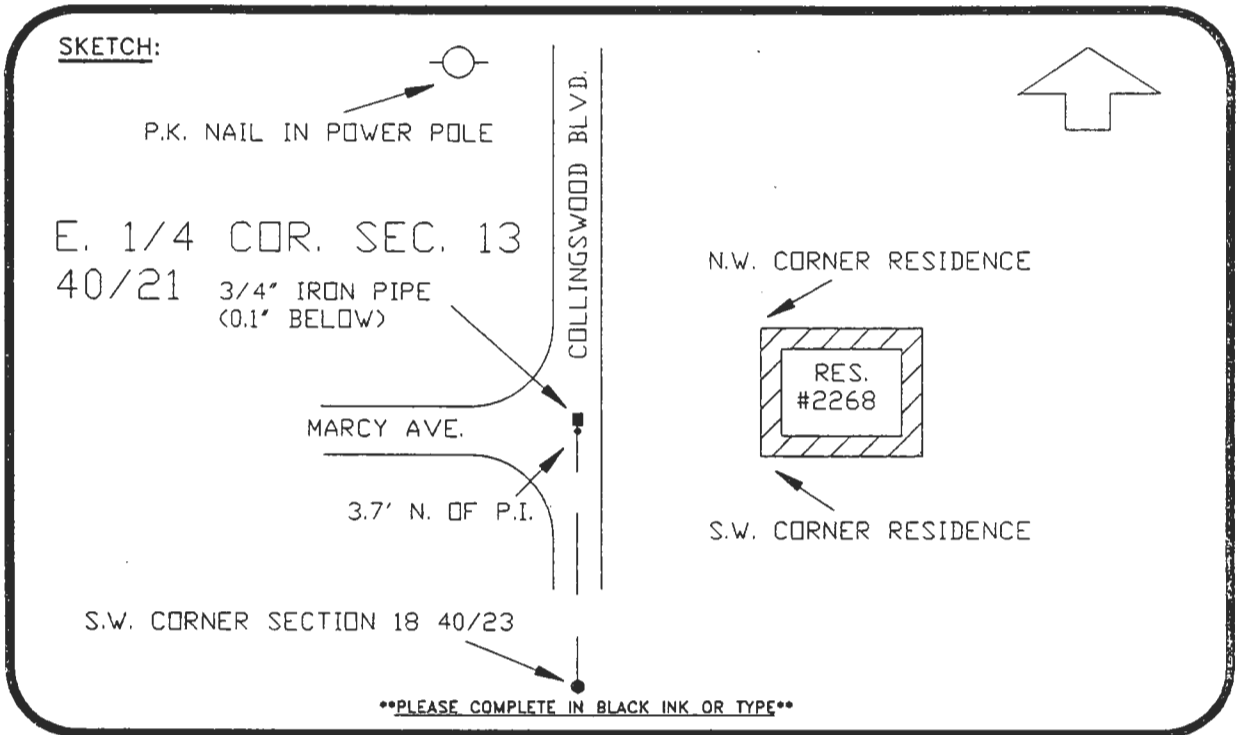
RECEIVED

MAR 25 1993

SURVEY & MAPPING

0045140

DOC. #



BASIS OF BEARING PLAT DATA: REFER: PORT CHARLOTTE SUBD., SEC. 41 5/51
 All bearings and distances must be from the corner to the witness. Indicate whether corner was found, set, or replaced and show north arrow. REFER: F.B. 273-11

REFERENCE MEASUREMENTS (at least three vicinity references must be given below even if they appear on the above sketch):

Description	Bearing	Distance
N.W. CORNER RESIDENCE #2268	N.61°36'15"E.	87.38'
S.W. CORNER RESIDENCE #2268	S.80°48'32"E.	77.86'
P.K. NAIL IN POWER POLE	N.18°05'42"W.	157.58'

SURVEYORS CERTIFICATE: I certify the monument and accessories indicated above were field located on OCTOBER 2, 1991.

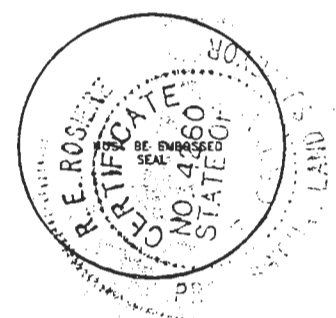
[Signature] PLS #260
 SIGNATURE

3-23-93
 DATE

CHARLOTTE COUNTY SURVEY DEPT.
 FIRM OR AGENCY

7000 FLORIDA STREET
 ADDRESS

PUNTA GORDA, FLA. 33950
 CITY STATE



SEND TO:

Department of Natural Resources
 Bureau of Survey and Mapping
 3900 Commonwealth Boulevard
 Mail Station 105
 Tallahassee, Florida 32399

DNR 53-001(16)
 REV. 7/16/92
 PAGE 2 OF 2

Completeness checked by: [Signature]
 Accepted and filed: 4-9-93 Date
 B.L.M. - I.D. [Signature] D.N.R. USE ONLY