

4021Z05

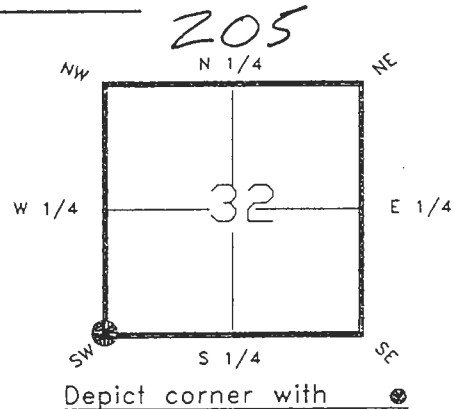
DOC. #

050955

FLORIDA DEPARTMENT OF NATURAL RESOURCES  
CERTIFIED CORNER RECORD

CORNER DESCRIPTION:

S.W. corner of Section 32 ,  
Twp 40 S. , Rge 21 E. ,  
Tallahassee Base Meridian,  
CHARLOTTE County(s), Florida.



MONUMENTATION DESCRIPTION:

Describe original monument and accessories, or subsequent restoration. Give sources of information. (If no attempt was made to search for the original monument and accessories, this information is not necessary.)

NONE FOUND

Description of corner evidence found:

IRON PIPE (0.1' BELOW PAVEMENT)

SET CHARLOTTE COUNTY MONUMENT & WELL

State method(s) to determine corner location (lost corners only):

HORIZONTAL POSITION INFORMATION ( if determined ):

Latitude 26°56'42.78077"N. Longitude 82°14'21.25090"W.

Y(Northing) 289356.743(M) X(Easting) 176244.482(M) Zone FL W

Convergence -0°06'30.268" Scale factor 0.99994814

Coordinate determination (circle one): Field traverse   GPS

Horizontal datum (circle one): NAD27  NAD83(1986)   NAD83(1990) other (explain)

Order of accuracy as defined in "Standards and Specifications for Geodetic Control Networks" published by the Federal Geodetic Control Committee (circle one):  
1st,  2nd,  3rd, class 1

or Minimum Technical Standards (Chapter 21HH-6, F.A.C.) ratio of closure for field data (example 1:10,000), \_\_\_\_\_ . This does not specify an order of accuracy.

Control point(s) used for survey:

Comments:

**RECEIVED**

JAN 31 1995

SURVEY & MAPPING

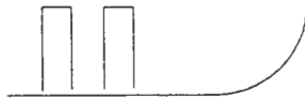
4021Z05

DOC. #

050955

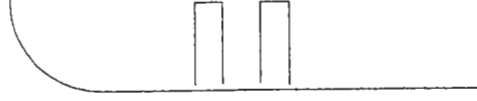
SKETCH:

X IN DRAIN PIPE  
CONCRETE



LAMBRIGHT DR.

X IN DRAIN PIPE  
CONCRETE



FORESMAN BLVD.

13.75'

(689°52'36"E.)

5324.52 (5326.23'F)

S.W. CORNER SEC. 32 40/21

SET MONUMENT & WELL  
AERIAL TARGET

S.E. COR. SEC. 32  
40/21 FOUND PK.  
NAIL

PK. NAIL IN 12"  
PINE TREE



\*\*PLEASE COMPLETE IN BLACK INK OR TYPE\*\*

BASIS OF BEARING PLAT DATA. REFER: PORT CHARLOTTE SUBD., SEC. 32 P.B. 5 - PG. 66  
All bearings and distances must be from the corner to the witness. Indicate whether  
corner was found, set, or replaced and show north arrow. REFER: P.B. 273 - 24

REFERENCE MEASUREMENTS ( at least three vicinity references must be given below  
even if they appear on the above sketch ):

| Description                | Bearing       | Distance |
|----------------------------|---------------|----------|
| "X" IN CONCRETE DRAIN PIPE | N.69°19'06"W. | 55.50'   |
| "X" IN CONCRETE DRAIN PIPE | N.51°22'54"E. | 33.16'   |
| PK. NAIL IN 12" PINE TREE  | S.42°07'16"E. | 84.33'   |

SURVEYORS CERTIFICATE: I certify the monument and accessories indicated above  
were field located on OCTOBER 11, 1991

*[Signature]*  
SIGNATURE

PLS 4260

updated 1/18/95

1/30/95  
DATE

CHARLOTTE COUNTY SURVEY DEPT.

FIRM OR AGENCY

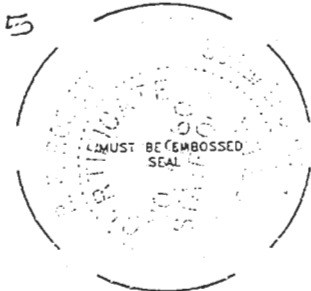
7000 FLORIDA STREET

ADDRESS

PUNTA GORDA,  
CITY

FLA.  
STATE

33950



510

Completeness checked by: B. F. Smith  
 Accepted and filed: 3-1-95 Date  
 B.L.M. - I.D. 06313205 D.N.R. USE ONLY

SEND TO:

Department of Natural Resources  
Bureau of Survey and Mapping  
3900 Commonwealth Boulevard  
Mail Station 105  
Tallahassee, Florida 32399

DNR 53-001(16)  
REV. 7/16/92  
PAGE 2 OF 2