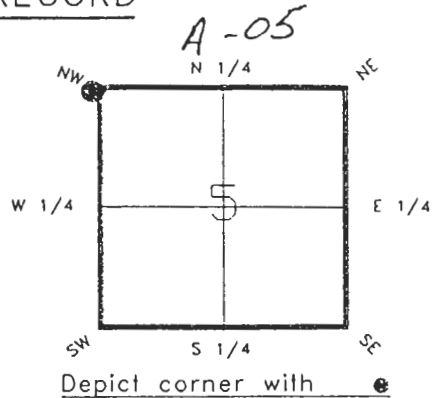


FLORIDA DEPARTMENT OF NATURAL RESOURCES  
CERTIFIED CORNER RECORD

CORNER DESCRIPTION:

N.W.      corner of Section   5   ,  
Twp 40 S. , Rge 22 E. ,  
Tallahassee Base Meridian,  
  CHARLOTTE   County(s), Florida.  
  SARASOTA  



MONUMENTATION DESCRIPTION:

Describe original monument and accessories, or subsequent restoration. Give sources of information. (If no attempt was made to search for the original monument and accessories, this information is not necessary.)

NONE FOUND

Description of corner evidence found:

1" IRON PIPE WITH P.K. NAIL TOP (0.1 BELOW PAVEMENT)  
(MONUMENT & WELL SET 7-15-92)

State method(s) to determine corner location (lost corners only):

HORIZONTAL POSITION INFORMATION ( if determined ):

Latitude 27°01'57.46349"N Longitude 82°08'20.75612"W  
Y(Northing) 299026.842(M) X(Easting) 186198.543(M) Zone FL W  
Convergence -0°03'47.593" Scale factor 0.99994353

Coordinate determination (circle one): Field traverse   GPS  
Horizontal datum (circle one): NAD27 NAD83(1986)  NAD83(1990) other (explain)

Order of accuracy as defined in "Standards and Specifications for Geodetic Control Networks" published by the Federal Geodetic Control Committee (circle one):  
1st,  2nd, 3rd, class   1   ,

or Minimum Technical Standards (Chapter 21HH-6, F.A.C.) ratio of closure for field data (example 1:10,000),                      . This does not specify an order of accuracy.

Control point(s) used for survey:

Comments:

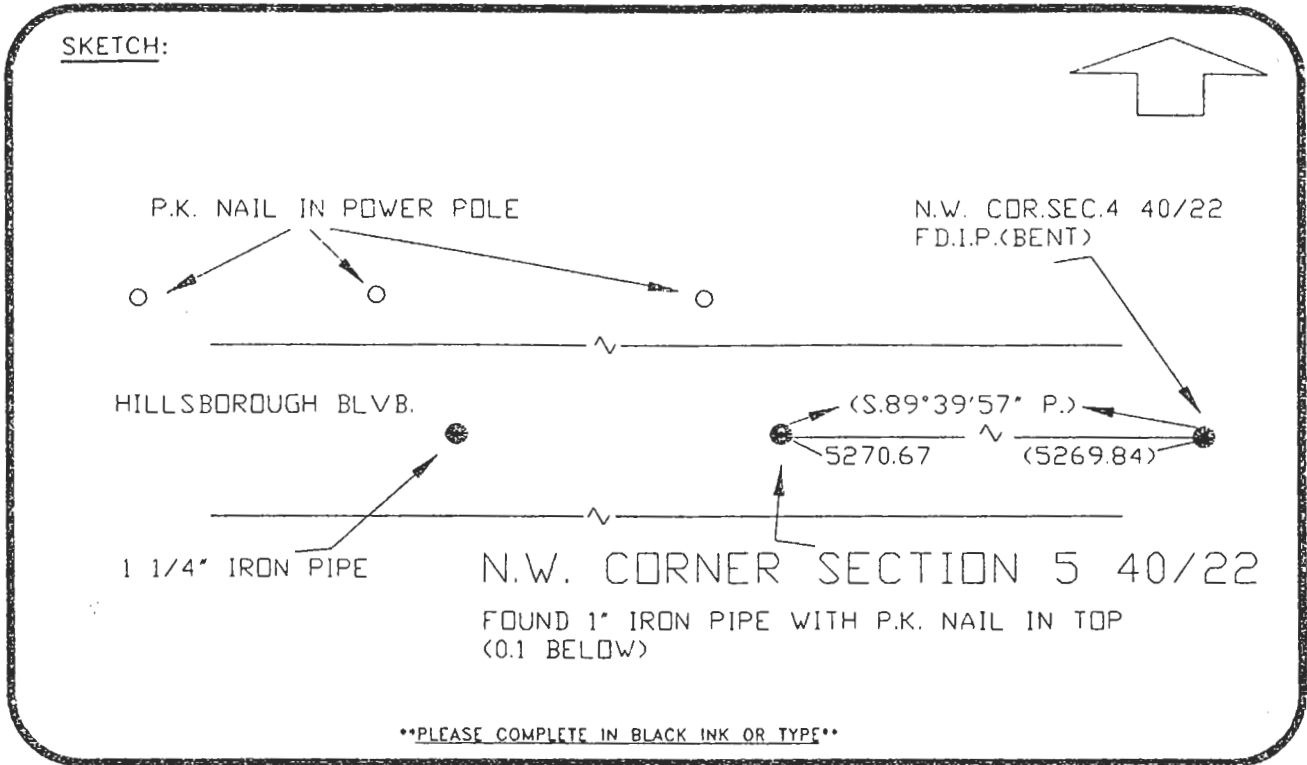
**RECEIVED**

AUG 02 1993  
DNR-53-004(16)  
REV: 7/16/92  
PAGE 1 OF 2

**\*\*PLEASE SEND ORIGINAL ONLY\*\***  
**\*\*PLEASE COMPLETE IN BLACK INK OR TYPE\*\***

**SURVEY & MAPPING**

SKETCH:



**\*\*PLEASE COMPLETE IN BLACK INK OR TYPE\*\***

(REFER: PORT CHARLOTTE SUBDIVISION, SECTION 17, PLAT BOOK 5 PAGE 6)  
 All bearings and distances must be from the corner to the witness. Indicate whether corner was found, set, or replaced and show north arrow.

REFERENCE MEASUREMENTS ( at least three vicinity references must be given below even if they appear on the above sketch ):

Description	Bearing	Distance
1 1/4" IRON PIPE	N.89°39'39"W.	96.43'
P.K. NAIL IN POWER POLE	N.40°25'09"W.	43.98'
P.K. NAIL IN POWER POLE	N.79°35'47"W.	188.62
P.K. NAIL IN POWER POLE	N.84°42'37"W.	383.03'

SURVEYORS CERTIFICATE: I certify the monument and accessories indicated above were field located on JUNE 12, 19 91.

[Signature] PLS 4260  
 SIGNATURE  
July 30, 1993  
 DATE  
 CHARLOTTE COUNTY SURVEY DEPT.  
 FIRM OR AGENCY  
 7000 FLORIDA STREET  
 ADDRESS  
 PUNTA GORDA, FLA. 33950  
 CITY STATE



SEND TO:

Department of Natural Resources  
 Bureau of Survey and Mapping  
 3900 Commonwealth Boulevard  
 Mail Station 105  
 Tallahassee, Florida 32399

DNR 53-001(16)  
 REV. 7/16/92  
 PAGE 2 OF 2

Completeness checked by: [Signature]  
 Accepted and filed: [Signature]  
 B.L.M. - I.D. 0600005 Date  
 D.N.R. USE ONLY