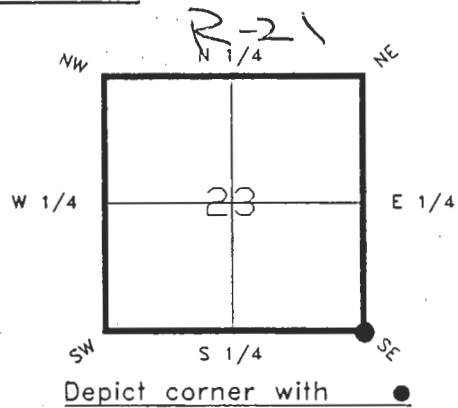


FLORIDA DEPARTMENT OF NATURAL RESOURCES
CERTIFIED CORNER RECORD

CORNER DESCRIPTION:

S.E. corner of Section 23 ,
Twp 40 S. , Rge 22 E. ,
Tallahassee Base Meridian,
CHARLOTTE County(s), Florida.



MONUMENTATION DESCRIPTION:

Describe original monument and accessories, or subsequent restoration. Give sources of information. (If no attempt was made to search for the original monument and accessories, this information is not necessary.)
NONE FOUND

Description of corner evidence found:

CONCRETE MONUMENT & LIGHTERWOOD POST REPLACED WITH CHARLOTTE COUNTY SURVEY DEPARTMENT CONCRETE MONUMENT

State method(s) to determine corner location (lost corners only):

HORIZONTAL POSITION INFORMATION (if determined):

Latitude 26°58'17.82079"N Longitude 82°04'22.92980"W
Y(Northing) 292261.390(M) X(Easting) 192749.421(M) Zone FL W
Convergence -0°01'59.252" Scale factor 0.99994183

Coordinate determination (circle one): Field traverse GPS

Horizontal datum (circle one): NAD27 NAD83(1986) NAD83(1990) other (explain)

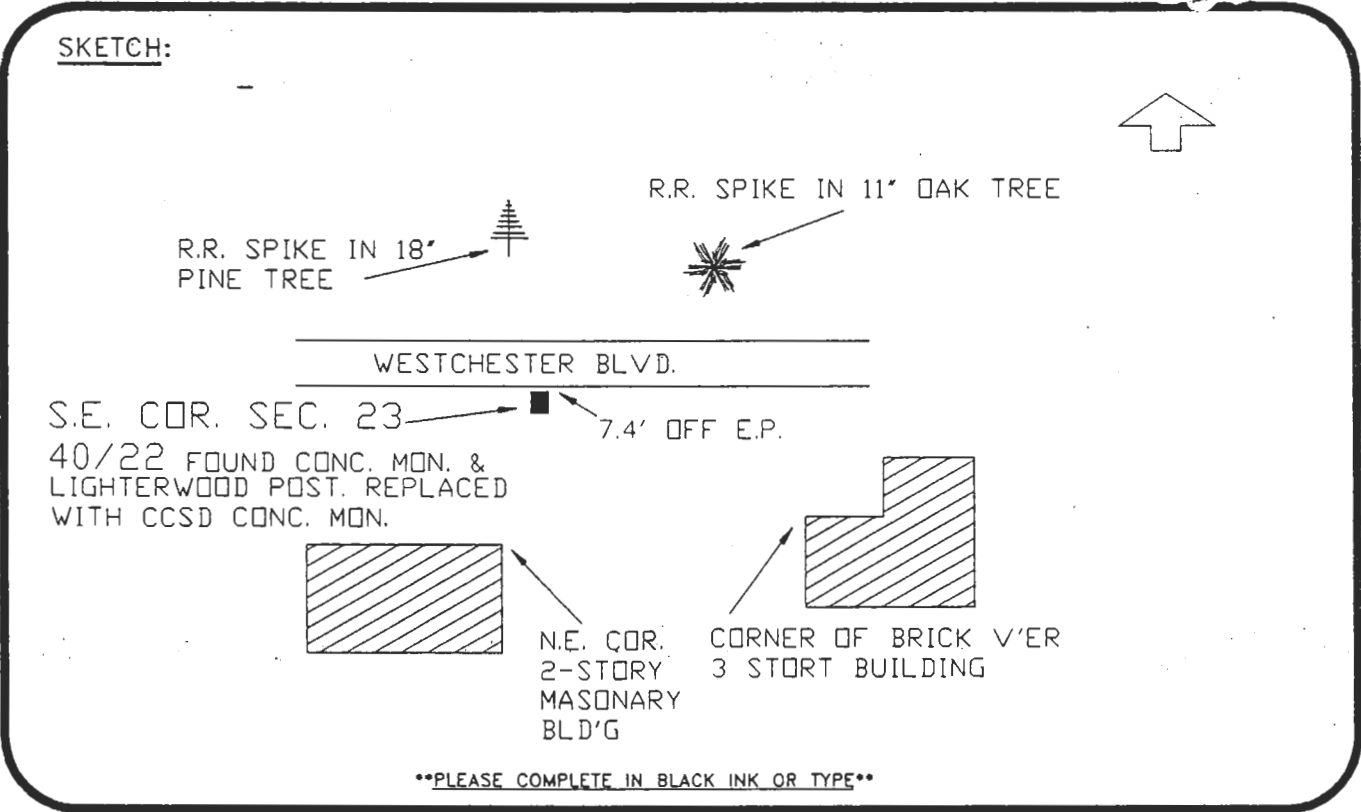
Order of accuracy as defined in "Standards and Specifications for Geodetic Control Networks" published by the Federal Geodetic Control Committee (circle one):
1st, 2nd, 3rd, class 1 , "

or Minimum Technical Standards (Chapter 21HH-6, F.A.C.) ratio of closure for field data (example 1:10,000), _____ . This does not specify an order of accuracy.

Control point(s) used for survey:

Comments:

SKETCH:



PLEASE COMPLETE IN BLACK INK OR TYPE

BASIS OF BEARING-SOLAR OBSERVATION REF: F.B. 279-02

All bearings and distances must be from the corner to the witness. Indicate whether corner was found, set, or replaced and show north arrow.

SET SURVEY MARKER POST 3.0'S'LY

REFERENCE MEASUREMENTS (at least three vicinity references must be given below even if they appear on the above sketch):

Description	Bearing	Distance
R.R. SPIKE IN 18" PINE TREE	N.09°33'35"W.	74.31'
R.R. SPIKE IN 11" OAK TREE	N.52°44'05"E.	100.40'
CORNER OF BRICK VERNER (4' UP)	S.67°03'10"E.	128.85'
N.E. CORNER 2 STORY BLD'G (4' UP)	S.15°07'25"W.	65.24'

SURVEYORS CERTIFICATE: I certify the monument and accessories indicated above were field located on JANUARY 13 19 92

SIGNATURE [Signature] PLS 4260

DATE 5-27-93

FIRM OR AGENCY CHARLOTTE COUNTY SURVEY DEPT.

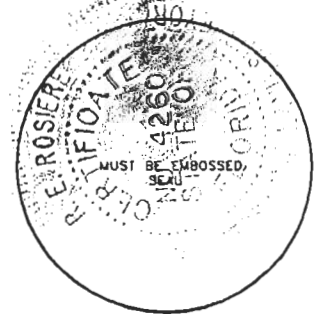
ADDRESS 7000 FLORIDA STREET

CITY STATE PUNTA GORDA, FLA. 33950

RECEIVED

JUN 01 1993

SURVEY & MAPPING



SEND TO:

Department of Natural Resources Bureau of Survey and Mapping 3900 Commonwealth Boulevard Mail Station 105 Tallahassee, Florida 32399

DNR 53-001(16) REV. 7/16/92 PAGE 2 OF 2

Completeness checked by: [Signature]
 Accepted and filed: [Signature] Date
 B.L.M. - I.D. 26232425 D.N.R. USE ONLY