

4022T21

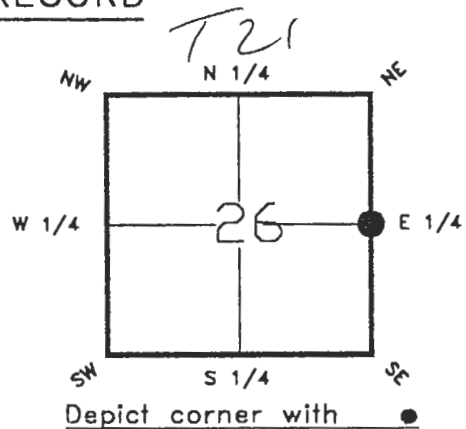
DOC. #

060198

FLORIDA DEPARTMENT OF NATURAL RESOURCES  
CERTIFIED CORNER RECORD

CORNER DESCRIPTION:

EAST 1/4 corner of Section 26 ,  
Twp 40 S. , Rge 22 E. ,  
Tallahassee Base Meridian,  
CHARLOTTE County(s), Florida.



MONUMENTATION DESCRIPTION:

Describe original monument and accessories, or subsequent restoration. Give sources of information. (If no attempt was made to search for the original monument and accessories, this information is not necessary.)  
NONE FOUND

Description of corner evidence found:

FOUND P.K. & DISK CHARLOTTE COUNTY LS. #3941

State method(s) to determine corner location (lost corners only):

HORIZONTAL POSITION INFORMATION ( if determined ):

Latitude 26°57'51.55568"N Longitude 82°04'23.85146"  
Y(Northing) 291453.048(M) X(Easting) 192723.536(M) Zone FL W  
Convergence -0°01'59.640" Scale factor 0.99994183

Coordinate determination (circle one): Field traverse GPS

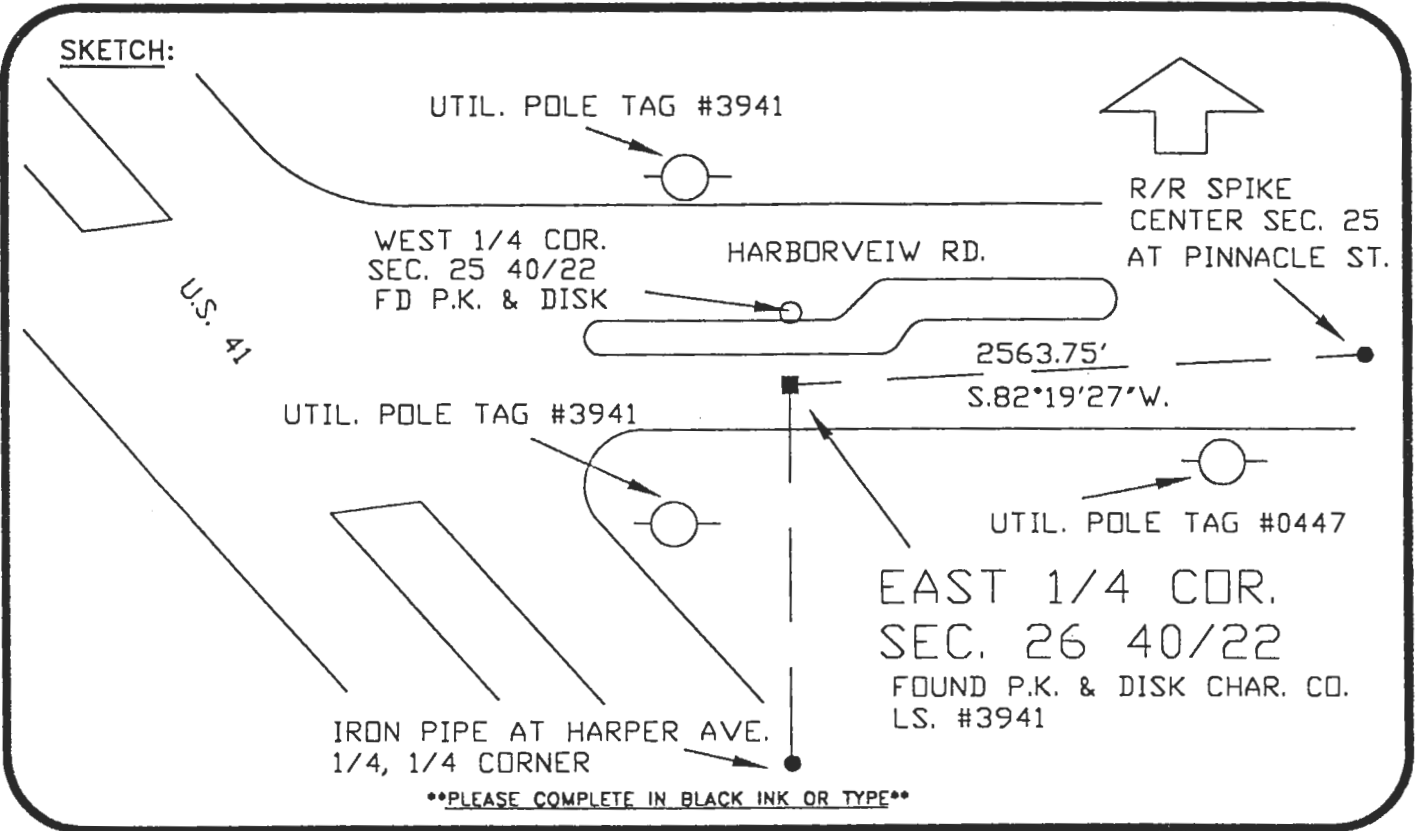
Horizontal datum (circle one): NAD27 NAD83(1986) NAD83(1990) other (explain)

Order of accuracy as defined in "Standards and Specifications for Geodetic Control Networks" published by the Federal Geodetic Control Committee (circle one):  
1st, 2nd, 3rd, class 1 ,

or Minimum Technical Standards (Chapter 21HH-6, F.A.C.) ratio of closure for field data (example 1:10,000), \_\_\_\_\_ . This does not specify an order of accuracy.

Control point(s) used for survey: 000

Comments:



REFER: F.B. 265-35

All bearings and distances must be from the corner to the witness. Indicate whether corner was found, set, or replaced and show north arrow. BEARING BASED ON THE N. LINE OF THE S.E. 1/4 SEC. 25 40/22 AS BEING N.82°28'12"E.  
REFERENCE MEASUREMENTS ( at least three vicinity references must be given below even if they appear on the above sketch ):

Description	Bearing	Distance
IRON PIPE 1/4, 1/4 COR. HARPER & SIBLEY BAY ST.	S.01°21'52"W.	1331.88'
NAIL & DNR TAG LS. 3941 IN UTIL. POLE	S.41°49'09"W.	47.57'
NAIL & DNR TAG LS. 3941 IN UTIL. POLE	N.28°56'43"W.	58.14'
P.K. & C.C.S.D. TAG #0447 IN UTIL. POLE	S.82°10'53"E.	114.30'
W 1/4 COR. SEC. 25 40/22	N 04°05'27' E	8.68'

**SURVEYORS CERTIFICATE:** I certify the monument and accessories indicated above were field located on AUGUST 12, , 19 97 .

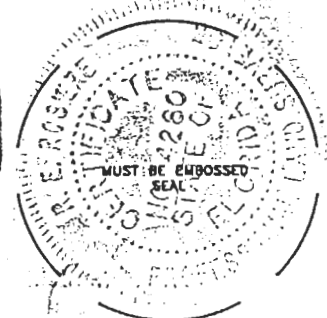
*[Signature]* PLS 4260  
 SIGNATURE  
August 19, 1997  
 DATE  
 CHARLOTTE COUNTY SURVEY DEPT.  
 FIRM OR AGENCY  
 7000 FLORIDA STREET  
 ADDRESS  
 PUNTA GORDA, FLA. 33950  
 CITY STATE

**RECEIVED**

AUG 22 1997

SURVEY & MAPPING

509  
 SEND TO: PUNTA GORDA



Completeness checked by: *[Signature]*  
 Accepted and filed: 9-1-97  
 Date  
 B.L.M. - I.D. 2600425 D.N.R. USE ONLY

Department of Natural Resources  
 Bureau of Survey and Mapping  
 3900 Commonwealth Boulevard  
 Mail Station 105  
 Tallahassee, Florida 32399

DNR 53-001(16)  
 REV. 7/16/92  
 PAGE 2 OF 2