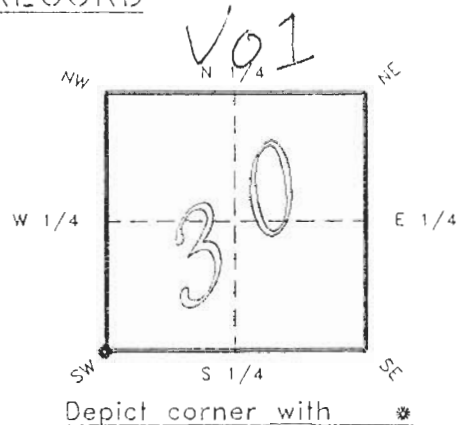


FLORIDA DEPARTMENT OF ENVIRONMENTAL PROTECTION
CERTIFIED CORNER RECORD

CORNER DESCRIPTION:

S.W. corner of Section 30 ,
Twp 40 S. , Rge 22 E. ,
Tallahassee Base Meridian,
CHARLOTTE County(s), Florida.



MONUMENTATION DESCRIPTION:

Describe original monument and accessories, or subsequent restoration. Give sources of information. (If no attempt was made to search for the original monument and accessories, this information is not necessary.)

Description of corner evidence found:

SET CONCRETE MONUMENT IN WELL BY SINGLE PROPORTION FROM SUBDIVISION PLAT DATA AND CORNERS.

State method(s) to determine corner location (lost corners only):

HORIZONTAL POSITION INFORMATION (if determined):

Latitude 26°57'33.78335" N Longitude 82°09'21.83467" W

Y(Northing) 290913.530 m X(Easting) 184505.106 m Zone FLW

Convergence -0°04'14.713" Scale factor 0.99994414

Coordinate determination (circle one): Field traverse GPS

Horizontal datum (circle one): NAD27 NAD83(1986) NAD83(1990) other (explain)

Order of accuracy as defined in "Standards and Specifications for Geodetic Control Networks" published by the Federal Geodetic Control Committee (circle one): 1st, 2nd, 3rd, class 1 ,

or Minimum Technical Standards (Chapter 21HH-6, F.A.C.) ratio of closure for field data (example 1:10,000), _____ . This does not specify an order of accuracy.

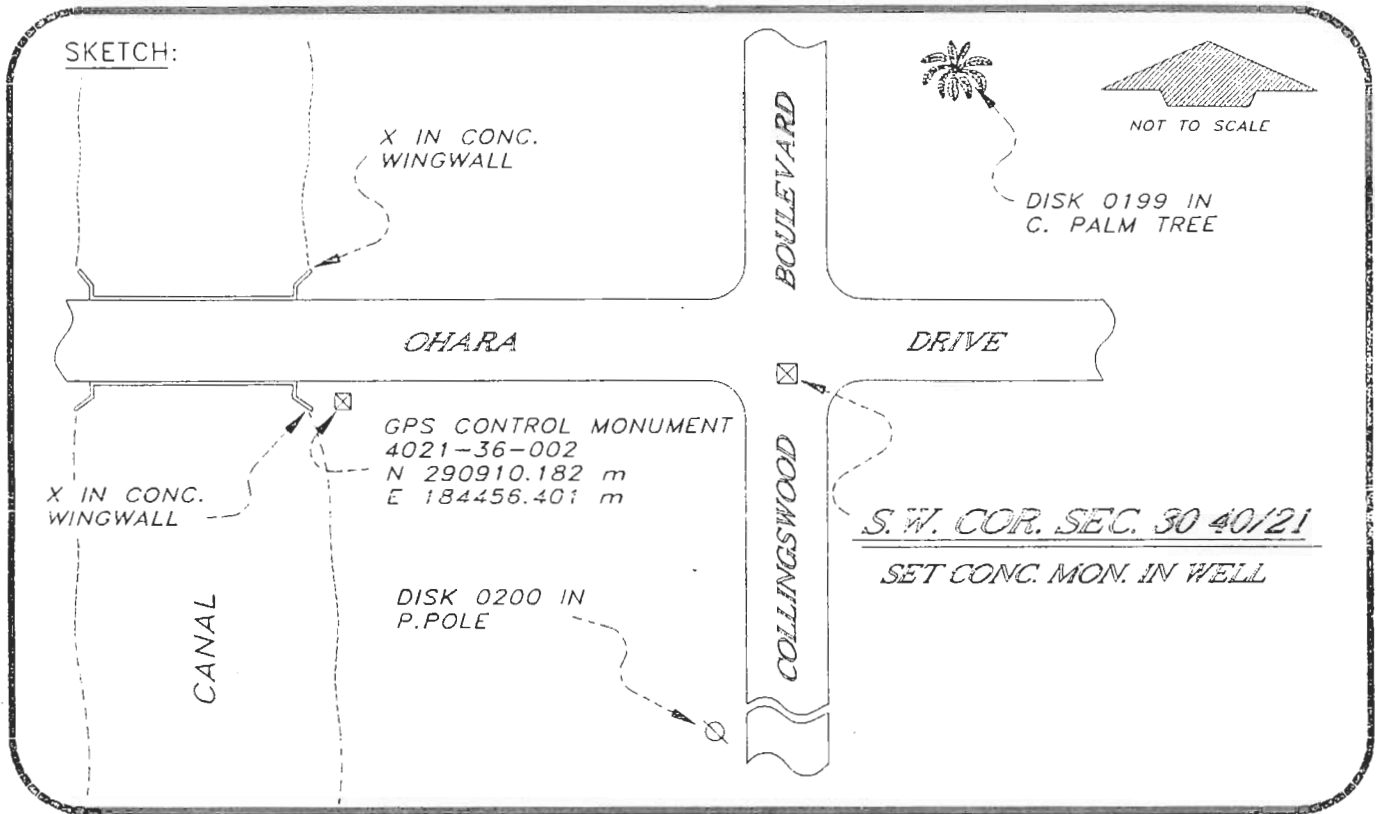
Control point(s) used for survey: *CHARLOTTE COUNTY HORIZONTAL CONTROL NETWORK INCLUDES HAVOLINE 2, PLACIDA 2, W260, PUNTAPORT, & FLGPS 58 AS B ORDER STATIONS.*

Comments:

0046998

4022V01

DOC. #



BASIS OF BEARING GPS OBSERVATION REFER: FB 265/29

REFERENCE MEASUREMENTS

Description	Bearing	Distance
DISK 0200 IN P. POLE	S 14°40'36" W	172.69'
X IN WING WALL	S 84°16'46" W	169.25'
X IN CONC. WINGWALL	N 77°39'27" W	171.84'
DISK 0199 IN C. PALM	N 35°19'33" E	113.98'
GPS CONTROL MONUMENT	S 85°59'48" W	160.20'

SURVEYORS CERTIFICATE: I certify the monument and accessories indicated above were field located on SEPTEMBER 23, 19 92.

R. Rose PLS 4260
SIGNATURE

11-5-93
DATE

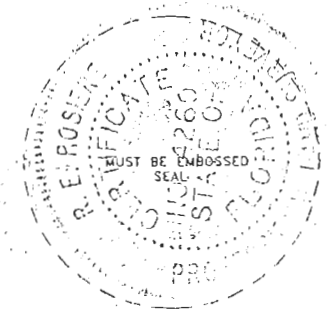
CHARLOTTE COUNTY SURVEY DEPT.
FIRM OR AGENCY

7000 FLORIDA STREET
ADDRESS

PUNTA GORDA, FLA. 33950
CITY STATE

Completeness checked by: B. Linton
Accepted and filed: 12-1-93 Date
B.L.M. - I.D. 36253031 D.N.R. USE ONLY

510



SEND TO:
Department of Environmental Protection
Bureau of Survey and Mapping
3900 Commonwealth Boulevard
Mail Station 105
Tallahassee, Florida 32399