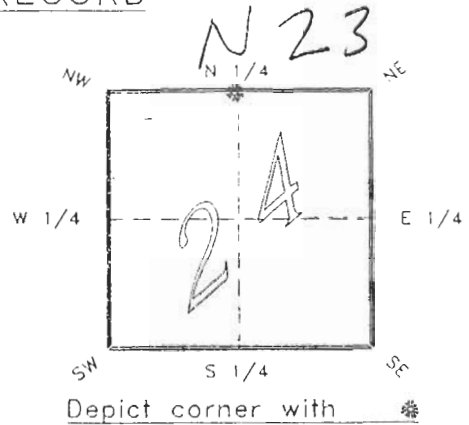


4023N23

FLORIDA DEPARTMENT OF ENVIRONMENTAL PROTECTION
CERTIFIED CORNER RECORD

CORNER DESCRIPTION:

N. 1/4 corner of Section 24 ,
Twp 40 S. , Rge 23 E. ,
Tallahassee Base Meridian,
CHARLOTTE County(s), Florida.



MONUMENTATION DESCRIPTION:

Describe original monument and accessories, or subsequent restoration. Give sources of information. (If no attempt was made to search for the original monument and accessories, this information is not necessary.)

Description of corner evidence found:
4"x4" CONCRETE MONUMENT

State method(s) to determine corner location (lost corners only):

HORIZONTAL POSITION INFORMATION (if determined):

Latitude 26°59'30.36537"N Longitude 81°58'01.18126"W
Y(Northing) 294492.417 m X(Easting) 203275.974 m Zone FLW
Convergence 0°00'53.927" Scale factor 0.99994131

Coordinate determination (circle one): Field traverse GPS

Horizontal datum (circle one): NAD27 NAD83(1986) NAD83(1990) other (explain)

Order of accuracy as defined in "Standards and Specifications for Geodetic Control Networks" published by the Federal Geodetic Control Committee (circle one):
1st, 2nd, 3rd, class 1

or Minimum Technical Standards (Chapter 21HH-6, F.A.C.) ratio of closure for field data (example 1:10,000), . This does not specify an order of accuracy.

Control point(s) used for survey: CHARLOTTE COUNTY HORIZONTAL CONTROL NETWORK INCLUDES HAVOLINE 2, PLACIDA 2, W260, PUNTAPOINT, & FLGPS 58 AS B ORDER STATIONS.

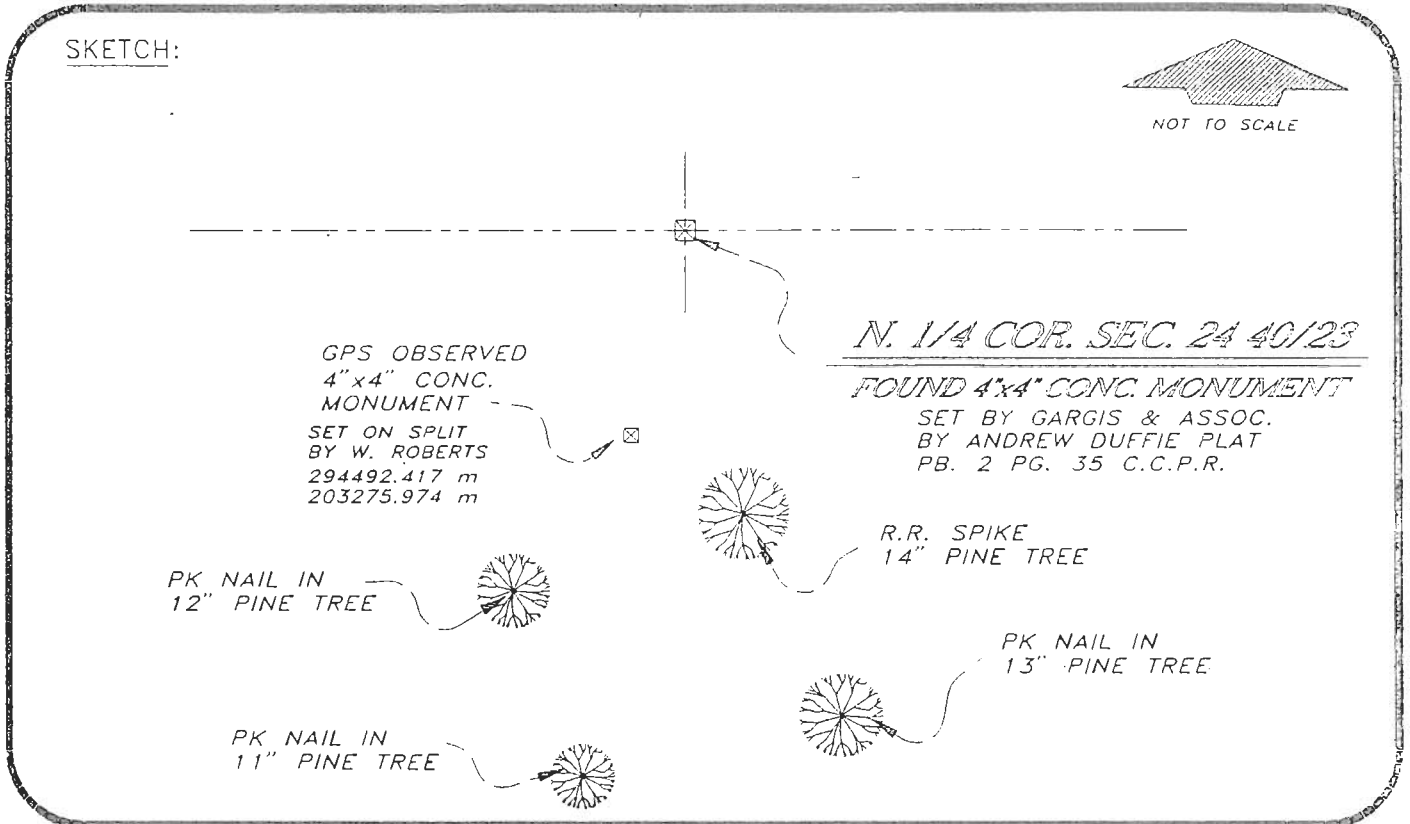
Comments: THIS CORNER WAS REPORTED TO BE SET BY GARGIS & ASSOC. BY ANDREW DUFFIE PLAT PB 2 PG. 35 C.C.P.R. IN 1926. DUFFIE PLAT INDICATES THAT HE FOUND GOVT. POST AND GOVT. BEARING TREES. THE PLAT ALSO SHOWS A DEFLECTION AT THIS CORNER.

4023N23

DOC. #

0047008

SKETCH:



N. 1/4 COR. SEC. 24 40/23

FOUND 4"x4" CONC. MONUMENT

*SET BY GARGIS & ASSOC.
BY ANDREW DUFFIE PLAT
PB. 2 PG. 35 C.C.P.R.*

*GPS OBSERVED
4"x4" CONC.
MONUMENT
SET ON SPLIT
BY W. ROBERTS
294492.417 m
203275.974 m*

*R.R. SPIKE
14" PINE TREE*

*PK NAIL IN
12" PINE TREE*

*PK NAIL IN
13" PINE TREE*

*PK NAIL IN
11" PINE TREE*

BASIS OF BEARING SOLAR OBSERVATION

REFER: FB 251/23

REFERENCE MEASUREMENTS

<u>Description</u>	<u>Bearing</u>	<u>Distance</u>
PK NAIL IN 12" PINE TREE	S 28°23'12" W	105.85'
PK NAIL IN 11" PINE TREE	S 09°01'58" W	131.45'
PK NAIL IN 13" PINE TREE	S 11°17'13" E	118.87'
R.R. SPIKE IN 14" PINE TREE	S 08°15'27" E	83.75'
4"x4" CONC. MONUMENT	S 11°53'34" W	64.22' (19.574 m)
	(S 11°52'40" W GRID)	

SURVEYORS CERTIFICATE: I certify the monument and accessories indicated above were field located on OCTOBER 10, 19 93.

R. Rose

PLS 4260

SIGNATURE

11-16-93

DATE

CHARLOTTE COUNTY SURVEY DEPT.

FIRM OR AGENCY

7000 FLORIDA STREET

ADDRESS

PUNTA GORDA,

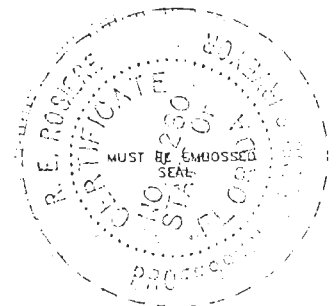
CITY

FLA.

STATE

33950

508



Completeness checked by: *B. Hinton*

Accepted and filed: 12-1-93

Date

B.L.M. - I.D. 24CL003

D.N.R. USE ONLY

SEND TO:

Department of Environmental Protection
Bureau of Survey and Mapping
3900 Commonwealth Boulevard
Mail Station 105
Tallahassee, Florida 32399