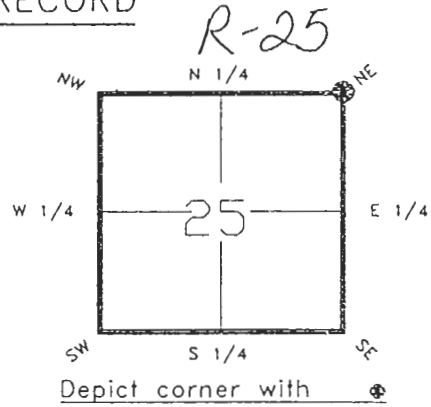


FLORIDA DEPARTMENT OF NATURAL RESOURCES
CERTIFIED CORNER RECORD

CORNER DESCRIPTION:

N.E. corner of Section 25,
Twp 40 S., Rge 23 E.,
Tallahassee Base Meridian,
CHARLOTTE County(s), Florida.



MONUMENTATION DESCRIPTION:

Describe original monument and accessories, or subsequent restoration. Give sources of information. (If no attempt was made to search for the original monument and accessories, this information is not necessary.)

NONE FOUND

Description of corner evidence found:

R.R. SPIKE ON SURFACE

RECEIVED

JUL 26 1993

State method(s) to determine corner location (lost corners only):

SURVEY & MAPPING

HORIZONTAL POSITION INFORMATION (if determined):

Latitude 26°58'34.19570"N Longitude 81°57'34.12541"W
Y(Northing) 292763.907(M) X(Easting) 204022.491(M) Zone FL W
Convergence 0°01'06.172" Scale factor 0.99994138

Coordinate determination (circle one): Field traverse **GPS**

Horizontal datum (circle one): NAD27 NAD83(1986) **NAD83(1990)** other (explain)

Order of accuracy as defined in "Standards and Specifications for Geodetic Control Networks" published by the Federal Geodetic Control Committee (circle one):

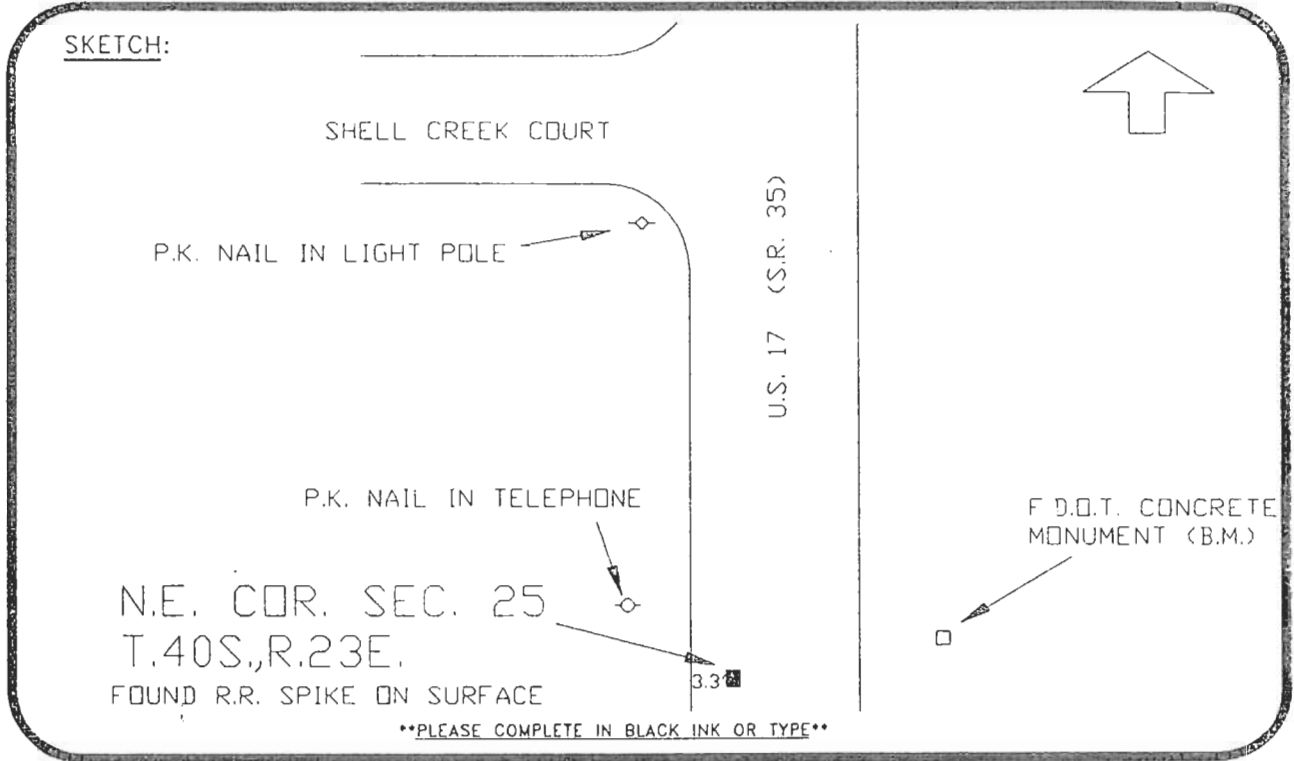
1st **2nd**, 3rd, class 1

or Minimum Technical Standards (Chapter 21HH-6, F.A.C.) ratio of closure for field data (example 1:10,000), . This does not specify an order of accuracy.

Control point(s) used for survey:

Comments:

DOC. #



PLEASE COMPLETE IN BLACK INK OR TYPE

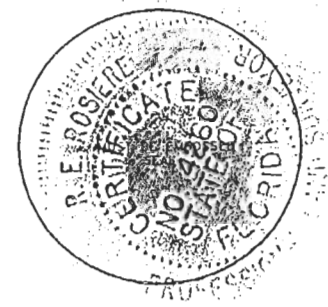
REFER: F.B. 251-27 BASIS OF BEARING SOLAR OBSERVATION
 All bearings and distances must be from the corner to the witness. Indicate whether corner was found, set, or replaced and show north arrow.

REFERENCE MEASUREMENTS (at least three vicinity references must be given below even if they appear on the above sketch):

Description	Bearing	Distance
F.D.O.T. CONCRETE MONUMENT	N.79°19'14"E.	63.03'
P.K. NAIL IN TELEPHONE	N.51°55'18"W.	34.97'
P.K. NAIL IN LIGHT POLE	N.10°25'18"W.	136.22'
EDGE OF PAVEMENT	WEST'LY	3.3'

SURVEYORS CERTIFICATE: I certify the monument and accessories indicated above were field located on MARCH 15, 1991.

[Signature] PLS 4260
 SIGNATURE
July 12, 1993
 DATE
 CHARLOTTE COUNTY SURVEY DEPT.
 FIRM OR AGENCY
 7000 FLORIDA STREET
 ADDRESS
 PUNTA GORDA, FLA. 33950
 CITY STATE



Completeness checked by: GR Green
 Accepted and filed: 8-93
 Date
 B.L.M. - I.D. 25241930 D.N.R. USE ONLY

SEND TO:

Department of Natural Resources
 Bureau of Survey and Mapping
 3900 Commonwealth Boulevard
 Mail Station 105
 Tallahassee, Florida 32399

DNR 53-001(16)
 REV. 7/16/92
 PAGE 2 OF 2