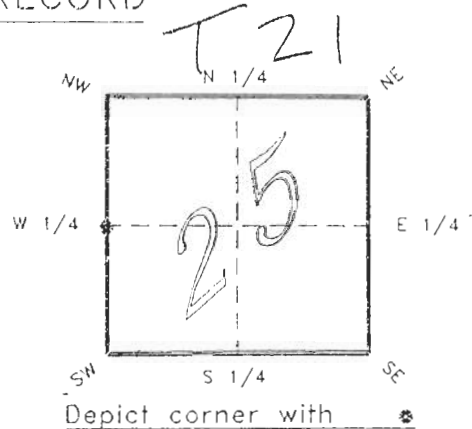


FLORIDA DEPARTMENT OF NATURAL RESOURCES
CERTIFIED CORNER RECORD

CORNER DESCRIPTION:

W. 1/4 corner of Section 25
Twp 40 S., Rge 23 E.
Tallahassee Base Meridian,
CHARLOTTE County(s), Florida.



MONUMENTATION DESCRIPTION:

Describe original monument and accessories, or subsequent restoration. Give sources of information. (If no attempt was made to search for the original monument and accessories, this information is not necessary.)

Description of corner evidence found:
4"x4" CONCRETE MONUMENT 2' ABOVE BOTTOM OF DITCH

State method(s) to determine corner location (lost corners only):

HORIZONTAL POSITION INFORMATION (if determined):

Latitude 26°58'07.52767"N Longitude 81°58'34.32946"W
Y(Northing) 291942.727 m X(Easting) 202362.519 m Zone FLW
Convergence 0°00'38.852" Scale factor 0.99994125

Coordinate determination (circle one): Field traverse GPS
Horizontal datum (circle one): NAD27 NAD83(1986) NAD83(1990) other (explain)

Order of accuracy as defined in "Standards and Specifications for Geodetic Control Networks" published by the Federal Geodetic Control Committee (circle one):
1st, 2nd, 3rd, class 1

or Minimum Technical Standards (Chapter 21HH-6, F.A.C.) ratio of closure for field data (example 1:10,000), . This does not specify an order of accuracy.

Control point(s) used for survey: CHARLOTTE COUNTY HORIZONTAL CONTROL NETWORK INCLUDES HAVOLINE 2, PLACIDA 2, W260, PUNTAPOINT, & FLGPS 58 AS B ORDER STATIONS.

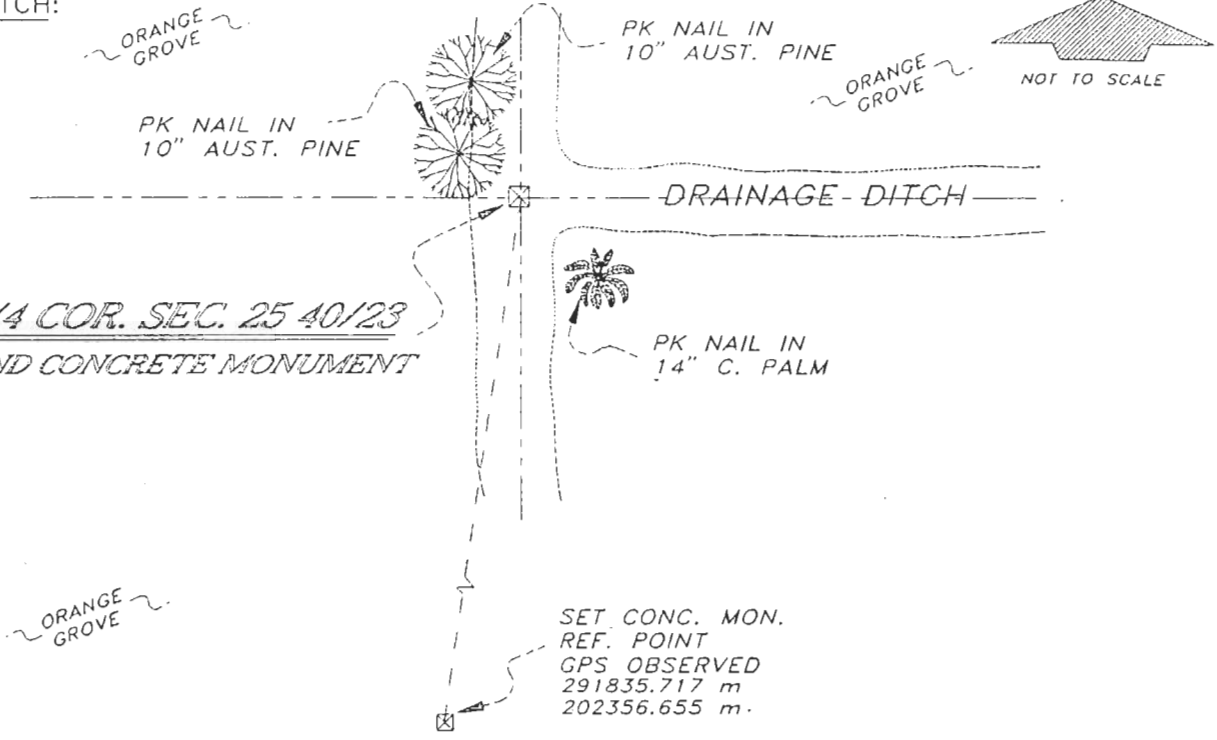
Comments:

0047011

4023T21

DOC. #

SKETCH:



BASIS OF BEARING SOLAR OBSERVATION REFER FB 251/25

All bearings and distances must be from the corner to the witness. Indicate whether corner was found, set, or replaced and show north arrow.

SET SURVEY MARKER POST 13.4' S'WLY

REFERENCE MEASUREMENTS (at least three vicinity references must be given below even if they appear on the above sketch):

Description	Bearing	Distance
PK NAIL IN 14" C. PALM	S 44°37'17" E	12.82'
PK NAIL IN 10" AUST. PINE	N 45°52'39" W	6.01'
PK NAIL IN 10" AUST. PINE	N 09°06'07" W	9.48
CONC. MON. REF. POINT	S 03°08'51" W	351.63' (107.177 m)
	(S 03°08'12" W GRID)	

SURVEYORS CERTIFICATE: I certify the monument and accessories indicated above were field located on SEPTEMBER 27, 19 93.

SIGNATURE [Signature] PLS 4260

DATE 11-16-93

FIRM OR AGENCY CHARLOTTE COUNTY SURVEY DEPT.

ADDRESS 7000 FLORIDA STREET

CITY STATE PUNTA GORDA, FLA. 33950

508



Completeness checked by: B. Bentor

Accepted and filed: 12-1-93 Date

B.L.M. - I.D. 2600CL25 D.N.R. USE ONLY

SEND TO: Department of Natural Resources Bureau of Survey and Mapping 3900 Commonwealth Boulevard Mail Station 105 Tallahassee, Florida 32399

DNR 53-001(16) REV. 7/16/92 PAGE 2 OF 2