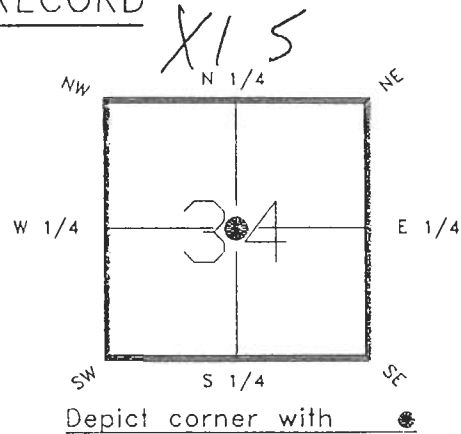


4023X15

FLORIDA DEPARTMENT OF NATURAL RESOURCES
CERTIFIED CORNER RECORD

CORNER DESCRIPTION:

CENTER corner of Section 34 ,
Twp 40 S. , Rge 23 E. ,
Tallahassee Base Meridian,
CHARLOTTE County(s), Florida.



MONUMENTATION DESCRIPTION:

Describe original monument and accessories, or subsequent restoration. Give sources of information. (If no attempt was made to search for the original monument and accessories, this information is not necessary.)
NONE FOUND

Description of corner evidence found:
3'x 3" CONCRETE MONUMENT

State method(s) to determine corner location (lost corners only):

HORIZONTAL POSITION INFORMATION (if determined):

Latitude 26°57'16.31095" N Longitude 82°00'02.35854" W
Y(Northing) 290366.219 m X(Easting) 199934.951 m Zone FL. W.
Convergence -0°00'01.069" Scale factor 0.99994118

Coordinate determination (circle one): Field traverse GPS
Horizontal datum (circle one): NAD27 NAD83(1986) NAD83(1990) other (explain)

Order of accuracy as defined in "Standards and Specifications for Geodetic Control Networks" published by the Federal Geodetic Control Committee (circle one):
1st, 2nd, 3rd, class 1 ,

or Minimum Technical Standards (Chapter 21HH-6, F.A.C.) ratio of closure for field data (example 1:10,000), _____ . This does not specify an order of accuracy.

Control point(s) used for survey:
CHARLOTTE COUNTY CONTROL NETWORK

Comments:

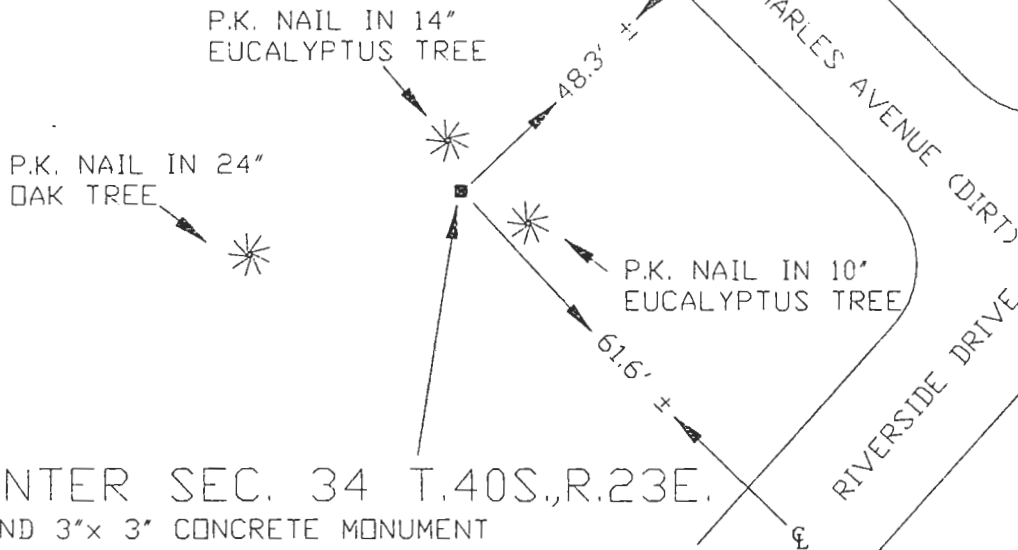
RECEIVED
JUL 24 1990
SURVEY & MAPPING

4023X15

DOC. #

052709

SKETCH:



PLEASE COMPLETE IN BLACK INK OR TYPE

REFER: F.B. 251-51 BASIS OF BEARING SOLAR OBSERVATION

All bearings and distances must be from the corner to the witness. Indicate whether corner was found, set, or replaced and show north arrow.

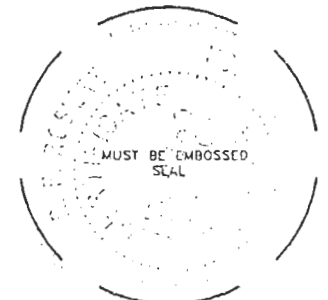
REFERENCE MEASUREMENTS (at least three vicinity references must be given below even if they appear on the above sketch):

Description	Bearing	Distance
PK NAIL IN 24" OAK TREE	S 74°22'39" W	26.95'
PK NAIL IN 14" EUCALYPTUS TREE	N 07°07'51" W	7.36'
PK NAIL IN 10" EUCALYPTUS TREE	S 70°47'21" E	9.51'
SET SURVEY MARKER POST	NWLY	2.6'

SURVEYORS CERTIFICATE: I certify the monument and accessories indicated above were field located on MAY 1, 19 91.

[Signature] PLS 4260
 SIGNATURE
 JULY 19, 1995 July 20, 1995
 DATE
 CHARLOTTE COUNTY SURVEY DEPT.
 FIRM OR AGENCY
 7000 FLORIDA STREET
 ADDRESS
 PUNTA GORDA, FLA. 33950
 CITY STATE

CORRECTION TO COORDINATE 7/20/95



509

Completeness checked by: *[Signature]*
 Accepted and filed: *[Signature]* 8-1-95
 B.L.M. - I.D. 34CLCC34 Date
 D.N.R. USE ONLY

SEND TO:

Department of Natural Resources
 Bureau of Survey and Mapping
 3900 Commonwealth Boulevard
 Mail Station 105
 Tallahassee, Florida 32399

DNR 53-001(16)
 REV. 7/16/92
 PAGE 2 OF 2