

4023X21

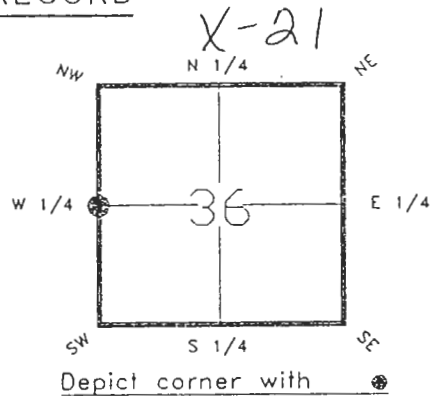
DOC. #

~~0045975~~

FLORIDA DEPARTMENT OF NATURAL RESOURCES
CERTIFIED CORNER RECORD

CORNER DESCRIPTION:

W. 1/4 corner of Section 36
Twp T.40S. , Rge R.23E.
Tallahassee Base Meridian,
CHARLOTTE County(s), Florida.



MONUMENTATION DESCRIPTION:

Describe original monument and accessories, or subsequent restoration. Give sources of information. (If no attempt was made to search for the original monument and accessories, this information is not necessary.)
NONE FOUND

Description of corner evidence found:

5'x 5' CONCRETE MONUMENT WITH LIGHTERWOOD REMAINS 0.6' S.W.'LY
SET R.R. SPIKE ADJACENT N. SIDE FOR METAL LOCATION ONLY.

State method(s) to determine corner location (lost corners only):

HORIZONTAL POSITION INFORMATION (if determined):

Latitude 26°57'15.63425"N Longitude 81°58'33.62397"W
Y(Northing) 290345.618(M) X(Easting) 202382.277(M) Zone FL W
Convergence 0°00'39.153" Scale factor 0.99994125

Coordinate determination (circle one): Field traverse GPS

Horizontal datum (circle one): NAD27 NAD83(1986) NAD83(1990) other (explain)

Order of accuracy as defined in "Standards and Specifications for Geodetic Control Networks" published by the Federal Geodetic Control Committee (circle one):
1st, 2nd, 3rd, class 1

or Minimum Technical Standards (Chapter 21HH-6, F.A.C.) ratio of closure for field data (example 1:10,000), . This does not specify an order of accuracy.

Control point(s) used for survey:

Comments:

PLEASE SEND ORIGINAL ONLY
PLEASE COMPLETE IN BLACK INK OR TYPE

RECEIVED

JUL 26 1993

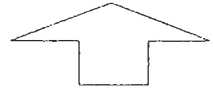
DNR 53-001(16)

REV: 7/16/92

PAGE 1 OF 2

SURVEY & MAPPING

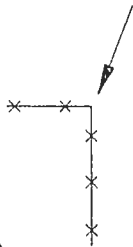
SKETCH:



W. 1/4 COR. SECTION 36
T.40S., R.23E.

FOUND 5" x 5" CONC. MON. WITH LIGHTERWOOD REMAINS
0.6' S.W.

N.E. COR. FENCE AT
F.P.&L. SUBSTATION



N.E. COR. CONC. POWER POLE



N.W. COR. CONC.
POWER POLE



****PLEASE COMPLETE IN BLACK INK OR TYPE****

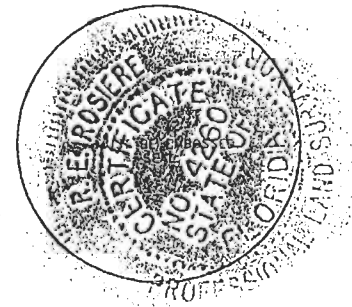
REFER: F.B. 251-60 BASIS OF BEARING SOLAR OBSERVATION
All bearings and distances must be from the corner to the witness. Indicate whether corner was found, set, or replaced and show north arrow.

REFERENCE MEASUREMENTS (at least three vicinity references must be given below even if they appear on the above sketch):

Description	Bearing	Distance
N.E. COR. FENCE AT F.P.&L. SUBSTATION	S.74°44'47"W.	179.61'
N.E. CORNER CONCRETE POWER POLE	S.58°03'33"W.	106.99'
N.W. CORNER CONCRETE POWER POLE	S.77°42'08"E.	96.44'
SET SURVEY MARKER POST	W.'LY	3.1'

SURVEYORS CERTIFICATE: I certify the monument and accessories indicated above were field located on JUNE 4, 19 91.

[Signature] PLS 4260
SIGNATURE
July 12, 1993
DATE
CHARLOTTE COUNTY SURVEY DEPT.
FIRM OR AGENCY
7000 FLORIDA STREET
ADDRESS
PUNTA GORDA, FLA. 33950
CITY STATE



Completeness checked by: LR Green
Accepted and filed: 8-93 Date
B.L.M. - I.D. 3500CL30 D.N.R. USE ONLY

SEND TO:

Department of Natural Resources
Bureau of Survey and Mapping
3900 Commonwealth Boulevard
Mail Station 105
Tallahassee, Florida 32399

DNR 53-001(16)
REV. 7/16/92
PAGE 2 OF 2