

4023X25

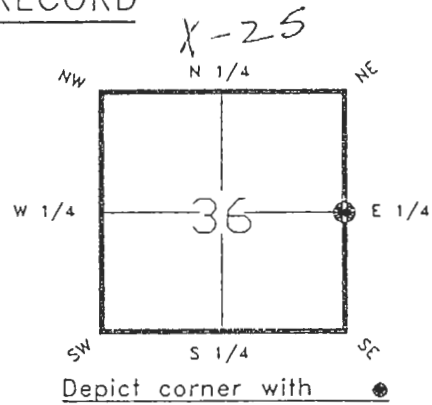
DOC. #

~~PT~~ **0045977**

FLORIDA DEPARTMENT OF NATURAL RESOURCES
CERTIFIED CORNER RECORD

CORNER DESCRIPTION:

E 1/4 corner of Section 36 ,
Twp 40 S. , Rge 23 E. ,
Tallahassee Base Meridian,
CHARLOTTE County(s), Florida.



MONUMENTATION DESCRIPTION:

Describe original monument and accessories, or subsequent restoration. Give sources of information. (If no attempt was made to search for the original monument and accessories, this information is not necessary.)

NONE FOUND

Description of corner evidence found:

4"x 4" CONCRETE MONUMENT

State method(s) to determine corner location (lost corners only):

HORIZONTAL POSITION INFORMATION (if determined):

Latitude 26°57'15.27924"N Longitude 81°57'34.89190"W
Y(Northing) 290335.104(M) X(Easting) 204002.130(M) Zone FL W
Convergence 0°01'05.774" Scale factor 0.99994137

Coordinate determination (circle one): Field traverse GPS

Horizontal datum (circle one): NAD27 NAD83(1986) NAD83(1990) other (explain)

Order of accuracy as defined in "Standards and Specifications for Geodetic Control Networks" published by the Federal Geodetic Control Committee (circle one):
1st 2nd 3rd, class 1 ,

or Minimum Technical Standards (Chapter 21HH-6, F.A.C.) ratio of closure for field data (example 1:10,000), _____ . This does not specify an order of accuracy.

Control point(s) used for survey:

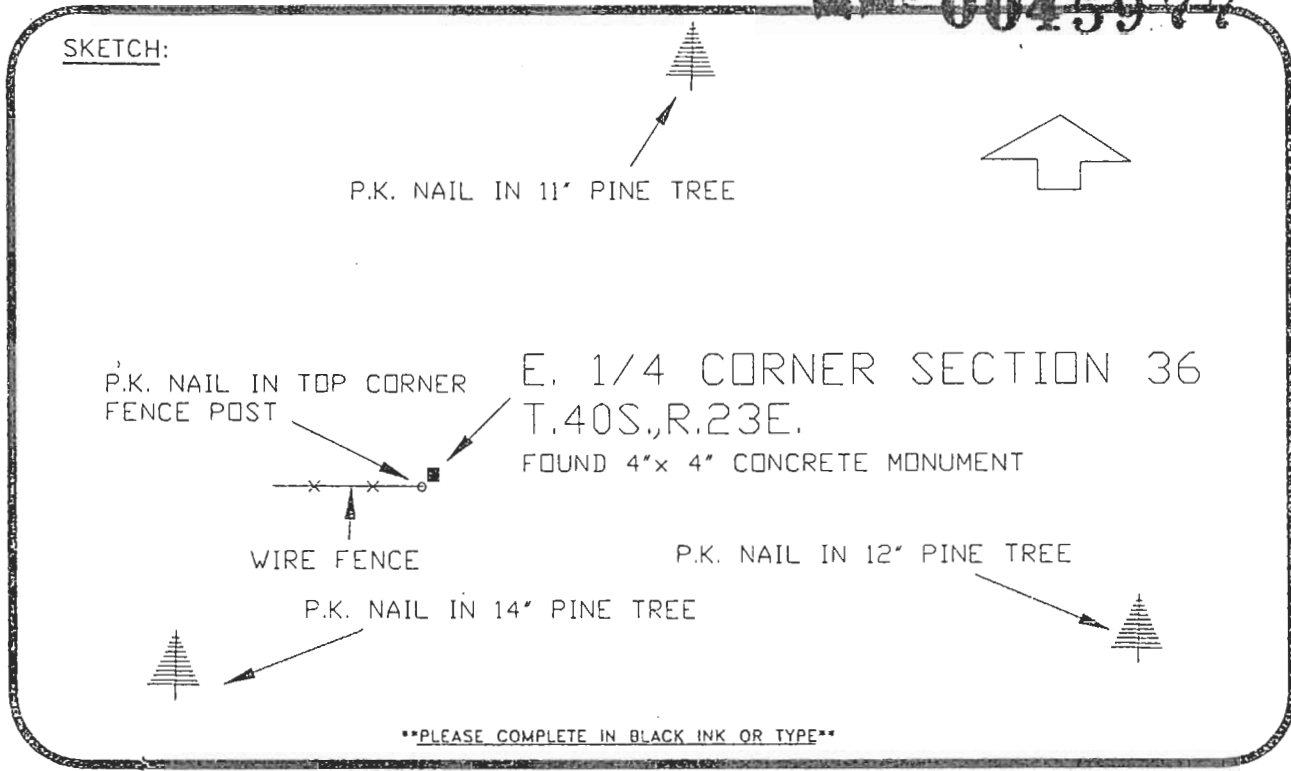
Comments:

RECEIVED
JUL 26 1993
SURVEY & MAPPING

DOC. #

0045977

SKETCH:



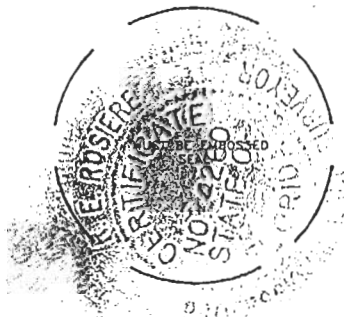
SET SURVEY MARKER POST 3.0' N.L.Y REFER: 251-57
 All bearings and distances must be from the corner to the witness. Indicate whether corner was found, set, or replaced and show north arrow.

REFERENCE MEASUREMENTS (at least three vicinity references must be given below even if they appear on the above sketch):

Description	Bearing	Distance
P.K. NAIL IN TOP CORNER FENCE POST	S.44°28'35"W.	1.35'
P.K. NAIL IN 14" PINE TREE	S.49°16'25"W.	30.38'
P.K. NAIL IN 11" PINE TREE	N.34°21'50"E.	41.87'
P.K. NAIL IN 12" PINE TREE	S.74°58'12"E.	65.10'

SURVEYORS CERTIFICATE: I certify the monument and accessories indicated above were field located on MAY 30, 19 91.

[Signature] PLS 4260
 SIGNATURE
 July 17, 1993
 DATE
 CHARLOTTE COUNTY SURVEY DEPT.
 FIRM OR AGENCY
 7000 FLORIDA STREET
 ADDRESS
 PUNTA GORDA, FLA. 33950
 CITY STATE



Completeness checked by: *L. K. Green*
 Accepted and filed: *8-93* Date
 B.L.M. - I.D. *3600CL31* O.N.R. USE ONLY

SEND TO:
 Department of Natural Resources
 Bureau of Survey and Mapping
 3900 Commonwealth Boulevard
 Mail Station 105
 Tallahassee, Florida 32399

DNR 53-001(16)
 REV. 7/16/92
 PAGE 2 OF 2