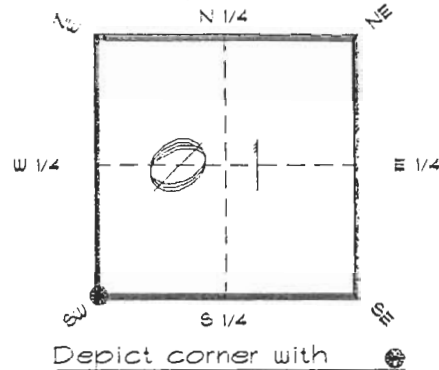


FLORIDA DEPARTMENT OF ENVIRONMENTAL PROTECTION
CERTIFIED CORNER RECORD

E21

CORNER DESCRIPTION:

S. W. corner of Section 01 ,
Twp 40 S. , Rge 24 7/8 E. ,
Tallahassee Base Meridian,
CHARLOTTE County(s), Florida.



MONUMENTATION DESCRIPTION:

Describe original monument and accessories, or subsequent restoration. Give sources of information. (If no attempt was made to search for the original monument and accessories, this information is not necessary.)

Description of corner evidence found:
NONE FOUND

State method(s) to determine corner location (lost corners only):
SET CONCRETE MONUMENT BY DOUBLE PROPORTION

HORIZONTAL POSITION INFORMATION (if determined):

Latitude 27°01'11.08456" N Longitude 81°52'29.90167" W
Y(Northing) 297597.970 m X(Easting) 212406.680 m Zone FLW.
Convergence 0°03'24.479" Scale factor 0.99994308

Coordinate determination (circle one): Field traverse GPS

Horizontal datum (circle one): NAD27 NAD83(1986) NAD83(1990) other (explain)

Order of accuracy as defined in "Standards and Specifications for Geodetic Control Networks" published by the Federal Geodetic Control Committee (circle one):
1st, 2nd, 3rd class 1

or Minimum Technical Standards (Chapter 21HH-6, F.A.C.) ratio of closure for field data (example 1:10,000), . This does not specify an order of accuracy.

Control point(s) used for survey: CHARLOTTE COUNTY HORIZONTAL CONTROL NETWORK INCLUDES HAYOLINE 2, FLACIDA 2, W260, PUNTPORT, & FLGPS 58 AS B ORDER STATIONS.

Comments:

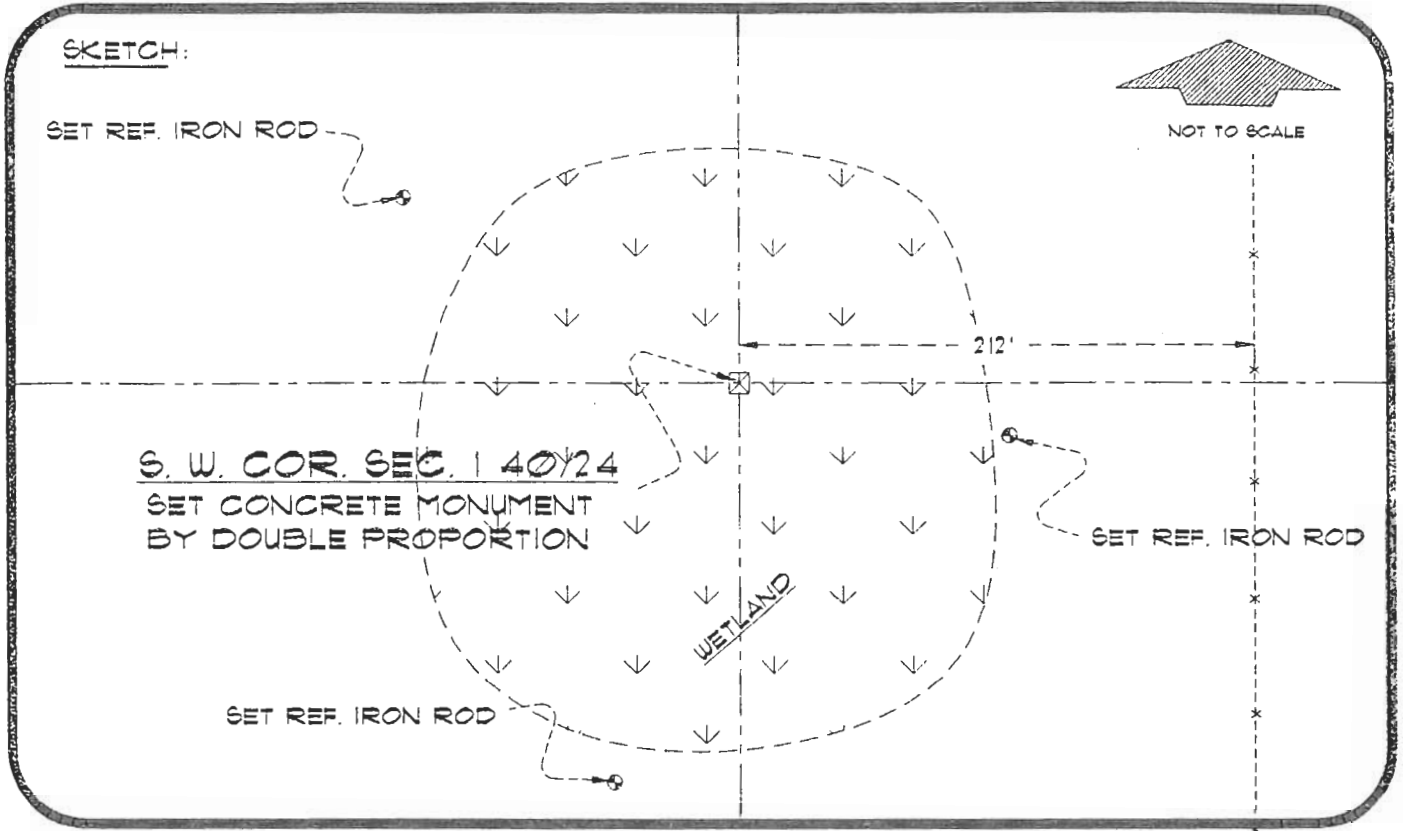
JUN 8 1951

Surveyed and approved

4024E21

DOC. #

052032



BASIS OF BEARING SOLAR OBSERVATION
SET SURVEY MARKER POST 2.5' W'LY

REFER: FB 307/15

REFERENCE MEASUREMENTS

<u>Description</u>	<u>Bearing</u>	<u>Distance</u>
SET REF. IRON ROD	S 86°36'52" E	100.63'
SET REF. IRON ROD	S 18°48'56" W	160.68'
SET REF. IRON ROD	N 62°32'57" W	128.36'

SURVEYORS CERTIFICATE: I certify the monument and accessories indicated above
were field located on MAY 15, 1995

R. R. Rose
SIGNATURE

PLS 4260

6/5/95
DATE

CHARLOTTE COUNTY SURVEY DEPT.
FIRM OR AGENCY

1000 FLORIDA STREET
ADDRESS

PUNTA GORDA, FLA. 33950
CITY STATE

546
77. 0D66N



Completeness checked by: *B. Hunt*
Accepted and filed: 7-3-95 Date
BLM. - ID. DISLEW12 D.E.P. USE ONLY

SEND TO:

Department of Environmental Protection
Bureau of Survey and Mapping
3900 Commonwealth Boulevard
Mail Station 105
Tallahassee, Florida 32399