

4024N17

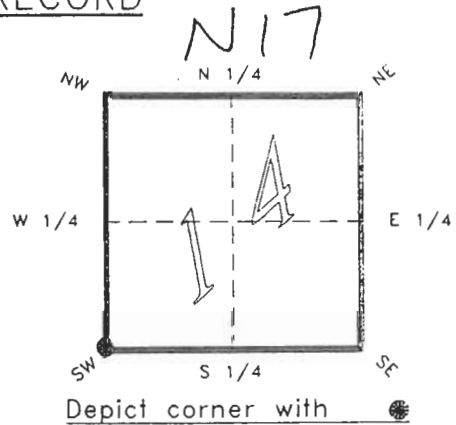
DOC. #

051065

FLORIDA DEPARTMENT OF ENVIRONMENTAL PROTECTION
CERTIFIED CORNER RECORD

CORNER DESCRIPTION:

S.W. corner of Section 14 ,
Twp 40 S. , Rge 24 E. ,
Tallahassee Base Meridian,
CHARLOTTE County(s), Florida.



MONUMENTATION DESCRIPTION:

Describe original monument and accessories, or subsequent restoration. Give sources of information. (If no attempt was made to search for the original monument and accessories, this information is not necessary.)

Description of corner evidence found:

6"x6" CONCRETE MONUMENT BROKEN

State method(s) to determine corner location (lost corners only):

RECEIVED

JAN 31 1995

SURVEY & MAPPING

HORIZONTAL POSITION INFORMATION (if determined):

Latitude 26°59'24.20718" N Longitude 81°53'29.86227" W
Y(Northing) 294307.075 m X(Easting) 210756.727 m Zone FLW
Convergence 0°02'57.059" Scale factor 0.99994260

Coordinate determination (circle one): Field traverse GPS
Horizontal datum (circle one): NAD27 NAD83(1986) NAD83(1990) other (explain)

Order of accuracy as defined in "Standards and Specifications for Geodetic Control Networks" published by the Federal Geodetic Control Committee (circle one):
1st, 2nd, 3rd, class 1 ,

or Minimum Technical Standards (Chapter 21HH-6, F.A.C.) ratio of closure for field data (example 1:10,000), _____ . This does not specify an order of accuracy.

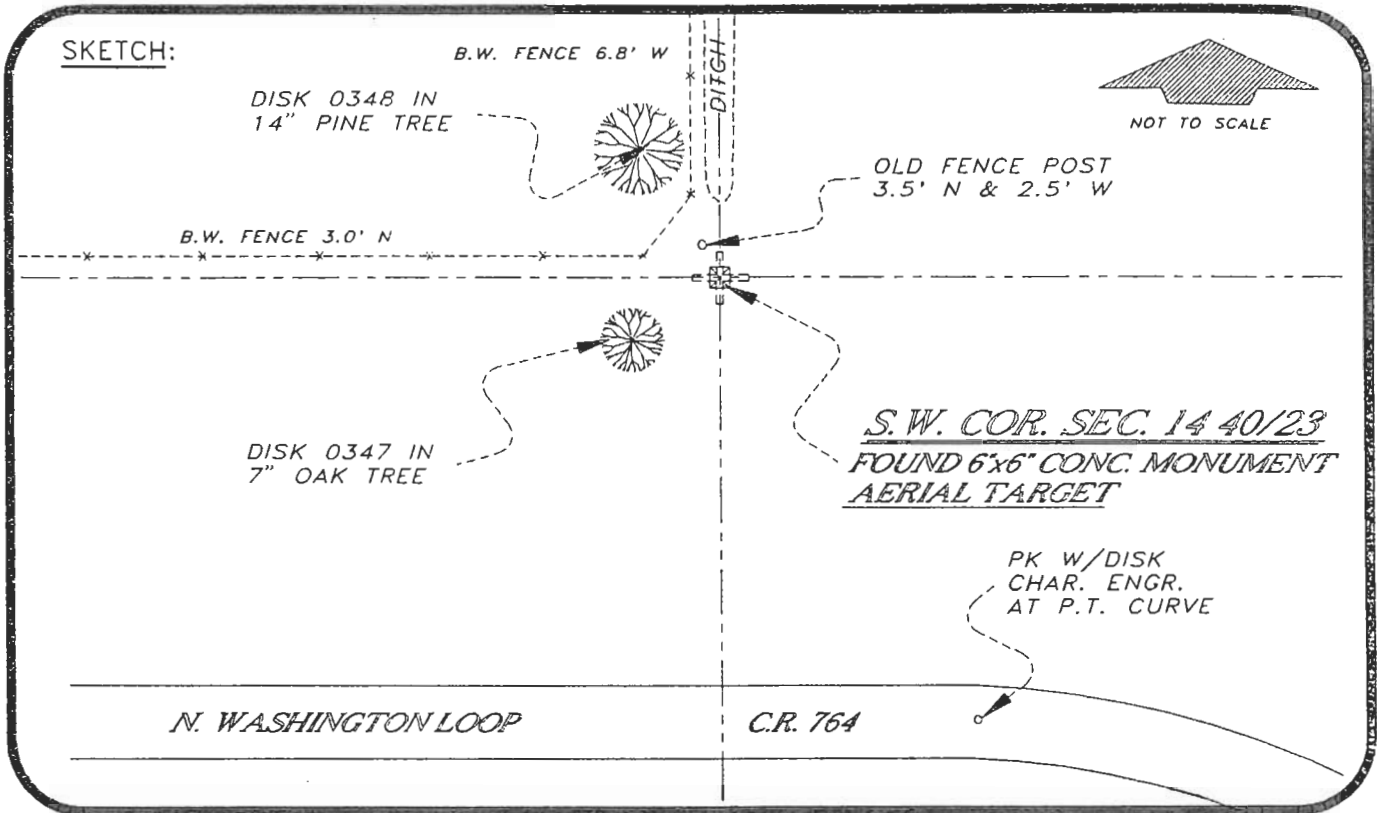
Control point(s) used for survey: CHARLOTTE COUNTY HORIZONTAL CONTROL NETWORK INCLUDES HAVOLINE 2, PLACIDA 2, W260, PUNTPORT, & FLGPS 58 AS B ORDER STATIONS.

Comments:

4024N17

DOC. #

051065



BASIS OF BEARING SOLAR OBSERVATION

REFER: FB 304/09

SET SURVEY MARKER POST 3' NW'LY

REFERENCE MEASUREMENTS

Description	Bearing	Distance
DISK 0347 IN 7" OAK	S 67°02'47" W	37.92'
DISK 0348 IN 14" PINE	N 23°09'35" W	69.34'
PK W/DISK AT P.T. CURVE	S 26°18'45" E	241.22'

SURVEYORS CERTIFICATE: I certify the monument and accessories indicated above were field located on JANUARY 6, 1993.

R. Rose

PLS 4260

UPDATED JAN. 10, 1995

SIGNATURE

1/30/95

DATE

CHARLOTTE COUNTY SURVEY DEPT.

FIRM OR AGENCY

7000 FLORIDA STREET

ADDRESS

PUNTA GORDA, FLA. 33950

CITY

STATE

508



Completeness checked by: *B. Bent*

Accepted and filed: 3-1-95 Date

B.L.M. - I.D. 22151423 D.N.R. USE ONLY

SEND TO:

Department of Environmental Protection
Bureau of Survey and Mapping
3900 Commonwealth Boulevard
Mail Station 105
Tallahassee, Florida 32399