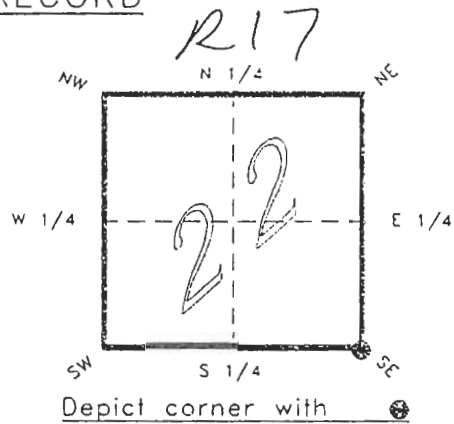


4024R17

FLORIDA DEPARTMENT OF ENVIRONMENTAL PROTECTION
CERTIFIED CORNER RECORD

CORNER DESCRIPTION:

S.E. corner of Section 22 ,
Twp 40 S. , Rge 24 E. ,
Tallahassee Base Meridian,
CHARLOTTE County(s), Florida.

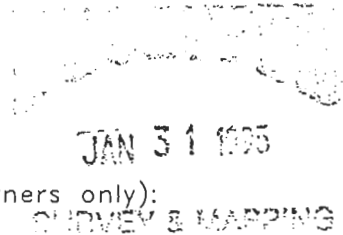


MONUMENTATION DESCRIPTION:

Describe original monument and accessories, or subsequent restoration. Give sources of information. (If no attempt was made to search for the original monument and accessories, this information is not necessary.)

Description of corner evidence found:

5" x 5" CONCRETE MONUMENT



State method(s) to determine corner location (lost corners only):

HORIZONTAL POSITION INFORMATION (if determined):

Latitude 26°58'32.34297" N Longitude 81°53'31.12166" W
Y(Northing) 292710.826 m X(Easting) 210723.369 m Zone FLW
Convergence 0°02'56.400" Scale factor 0.99994260

Coordinate determination (circle one): Field traverse GPS
Horizontal datum (circle one): NAD27 NAD83(1986) NAD83(1990) other (explain)

Order of accuracy as defined in "Standards and Specifications for Geodetic Control Networks" published by the Federal Geodetic Control Committee (circle one):
1st, 2nd, 3rd, class 1 ,

or Minimum Technical Standards (Chapter 21HH-6, F.A.C.) ratio of closure for field data (example 1:10,000), _____ . This does not specify an order of accuracy.

Control point(s) used for survey: CHARLOTTE COUNTY HORIZONTAL CONTROL NETWORK INCLUDES HAVOLINE 2, PLACIDA 2, W260, PUNTPORT, & FLGPS 58 AS B ORDER STATIONS.

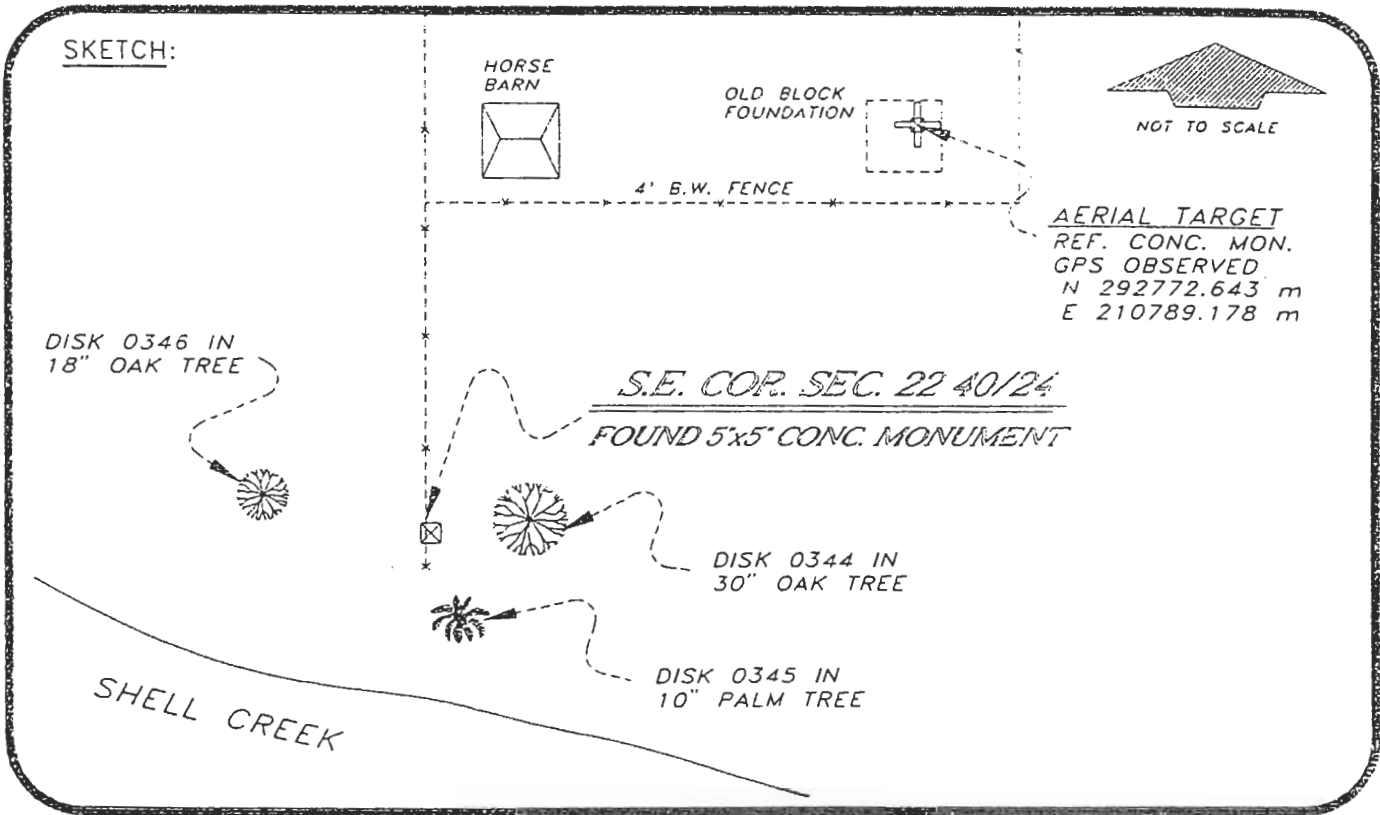
Comments:

4024R17

DOC. #

051073

SKETCH:



AERIAL TARGET
 REF. CONC. MON.
 GPS OBSERVED
 N 292772.643 m
 E 210789.178 m

S.E. COR. SEC. 22 40/24
 FOUND 5x5' CONC. MONUMENT

DISK 0346 IN
 18" OAK TREE

DISK 0344 IN
 30" OAK TREE

DISK 0345 IN
 10" PALM TREE

SHELL CREEK

BASIS OF BEARING SOLAR OBSERVATION
 SET SURVEY MARKER POST 0.3' W'LY

REFER: FB 304/07

REFERENCE MEASUREMENTS

Description	Bearing	Distance
DISK 0344 IN 30" OAK	N 84°23'38" E	20.58'
DISK 0345 IN 10" PALM	S 06°14'09" E	22.86'
DISK 0346 IN 18" OAK	N 79°19'46" W	45.38'
REF. CONC. MONUMENT	N 46°50'26" E	296.24'

SURVEYORS CERTIFICATE: I certify the monument and accessories indicated above were field located on JANUARY 6, 1993.

R. P. Rose
 SIGNATURE PLS 4260

UPDATED JAN. 10, 1995

1/30/95
 DATE

CHARLOTTE COUNTY SURVEY DEPT.
 FIRM OR AGENCY

7000 FLORIDA STREET
 ADDRESS

PUNTA GORDA, FLA. 33950
 CITY STATE

508



Completeness checked by: B. Jinton
 Accepted and filed: 3-1-95 Date
 B.L.M. - I.D. 27222326 D.N.R. USE ONLY

SEND TO:
 Department of Environmental Protection
 Bureau of Survey and Mapping
 3900 Commonwealth Boulevard
 Mail Station 105
 Tallahassee, Florida 32399