

4024Z17

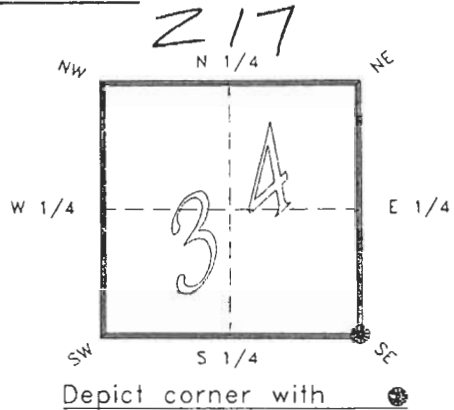
DOC. #

051088

FLORIDA DEPARTMENT OF ENVIRONMENTAL PROTECTION
CERTIFIED CORNER RECORD

CORNER DESCRIPTION:

S.E. corner of Section 34 ,
Twp 40 S. , Rge 24 E. ,
Tallahassee Base Meridian,
CHARLOTTE County(s), Florida.



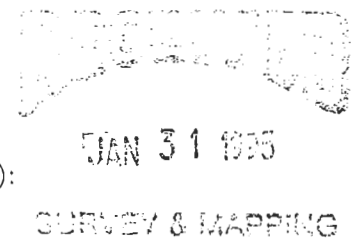
MONUMENTATION DESCRIPTION:

Describe original monument and accessories, or subsequent restoration. Give sources of information. (If no attempt was made to search for the original monument and accessories, this information is not necessary.)

Description of corner evidence found:

RAILROAD SPIKE

State method(s) to determine corner location (lost corners only):



HORIZONTAL POSITION INFORMATION (if determined):

Latitude 26°56'47.64461" N Longitude 81°53'29.62313" W
Y(Northing) 289488.580 m X(Easting) 210767.456 m Zone FLW
Convergence 0°02'56.903" Scale factor 0.99994261

Coordinate determination (circle one):

Field traverse

GPS

Horizontal datum (circle one): NAD27 NAD83(1986) NAD83(1990) other (explain)

Order of accuracy as defined in "Standards and Specifications for Geodetic Control Networks" published by the Federal Geodetic Control Committee (circle one):
1st, 2nd, 3rd class 1 ,

or Minimum Technical Standards (Chapter 21HH-6, F.A.C.) ratio of closure for field data (example 1:10,000), _____ . This does not specify an order of accuracy.

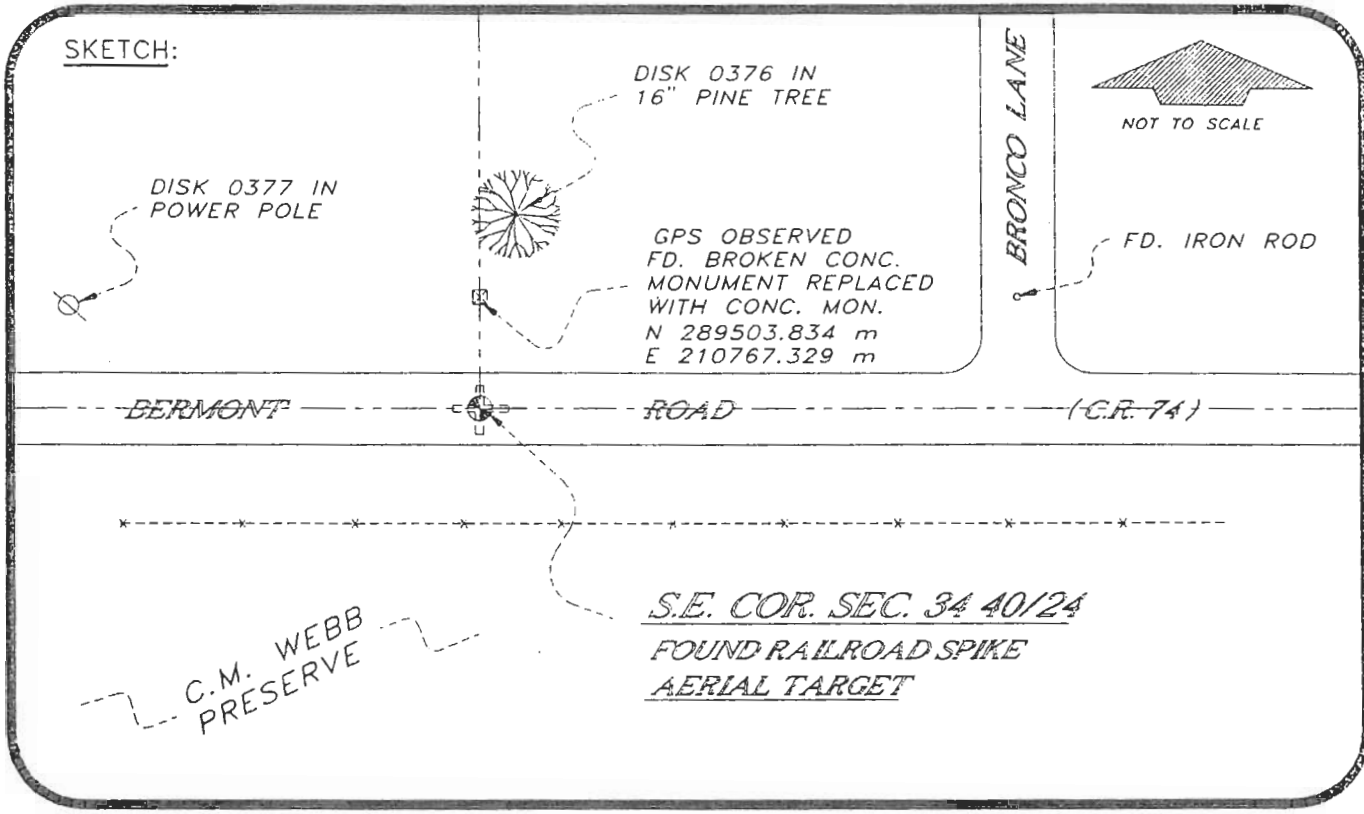
Control point(s) used for survey: *CHARLOTTE COUNTY HORIZONTAL CONTROL NETWORK INCLUDES HAVOLINE 2, PLACIDA 2, W260, PUNTPORT, & FLGPS 58 AS B ORDER STATIONS.*

Comments:

4024Z17

DOC. #

051088



BASIS OF BEARING SOLAR OBSERVATION REFER: FB 304/40

REFERENCE MEASUREMENTS

Description	Bearing	Distance
DISK 0376 IN 16" PINE	N 03°29'26" E	83.31'
DISK 0377 IN P. POLE	N 72°27'05" W	203.78'
FOUND IRON ROD	N 80°55'21" E	319.87'
CONCRETE MONUMENT	N 00°25'44" W	50.05'
(GPS OBSERVED)	(N 00°28'41" W	GRID)

SURVEYORS CERTIFICATE: I certify the monument and accessories indicated above were field located on FEBRUARY 14, 1994.

R. Ros
 SIGNATURE PLS 4260
 1/30/95
 DATE
 CHARLOTTE COUNTY SURVEY DEPT.
 FIRM OR AGENCY
 7000 FLORIDA STREET
 ADDRESS
 PUNTA GORDA, FLA. 33950
 CITY STATE

UPDATED JAN. 11, 1995



Completeness checked by: *[Signature]*
 Accepted and filed: *3-1-95*
 B.L.M. - I.D. 03343562 Date
 D.N.R. USE ONLY

SEND TO:
 Department of Environmental Protection
 Bureau of Survey and Mapping
 3900 Commonwealth Boulevard
 Mail Station 105
 Tallahassee, Florida 32399