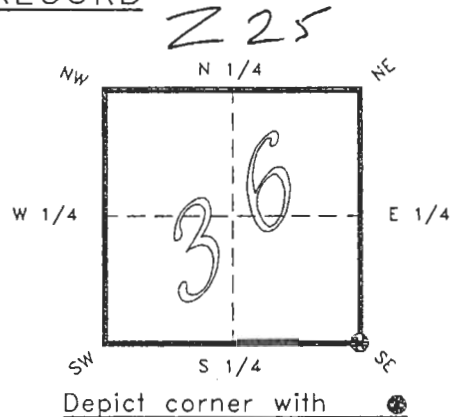


4024Z25

FLORIDA DEPARTMENT OF ENVIRONMENTAL PROTECTION
CERTIFIED CORNER RECORD

CORNER DESCRIPTION:

S.E. corner of Section 36 ,
Twp 40 S. , Rge 24 E. ,
Tallahassee Base Meridian,
CHARLOTTE County(s), Florida.

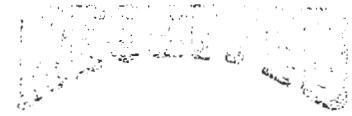


MONUMENTATION DESCRIPTION:

Describe original monument and accessories, or subsequent restoration. Give sources of information. (If no attempt was made to search for the original monument and accessories, this information is not necessary.)

Description of corner evidence found:

RAILROAD SPIKE



JAN 31 1995

State method(s) to determine corner location (lost corners only):

SURVEY & MAPPING

HORIZONTAL POSITION INFORMATION (if determined):

Latitude 26°56'47.13353" N Longitude 81°51'32.49691" W
Y(Northing) 289476.037 m X(Easting) 213998.077 m Zone FLW
Convergence 0°03'49.979" Scale factor 0.99994359

Coordinate determination (circle one): Field traverse GPS
Horizontal datum (circle one): NAD27 NAD83(1986) NAD83(1990) other (explain)

Order of accuracy as defined in "Standards and Specifications for Geodetic Control Networks" published by the Federal Geodetic Control Committee (circle one):
1st, 2nd, 3rd, class 1 ,

or Minimum Technical Standards (Chapter 21HH-6, F.A.C.) ratio of closure for field data (example 1:10,000), _____ . This does not specify an order of accuracy.

Control point(s) used for survey: CHARLOTTE COUNTY HORIZONTAL CONTROL NETWORK INCLUDES HAVOLINE 2, PLACIDA 2, W260, PUNTPORT, & FLGPS 58 AS B ORDER STATIONS.

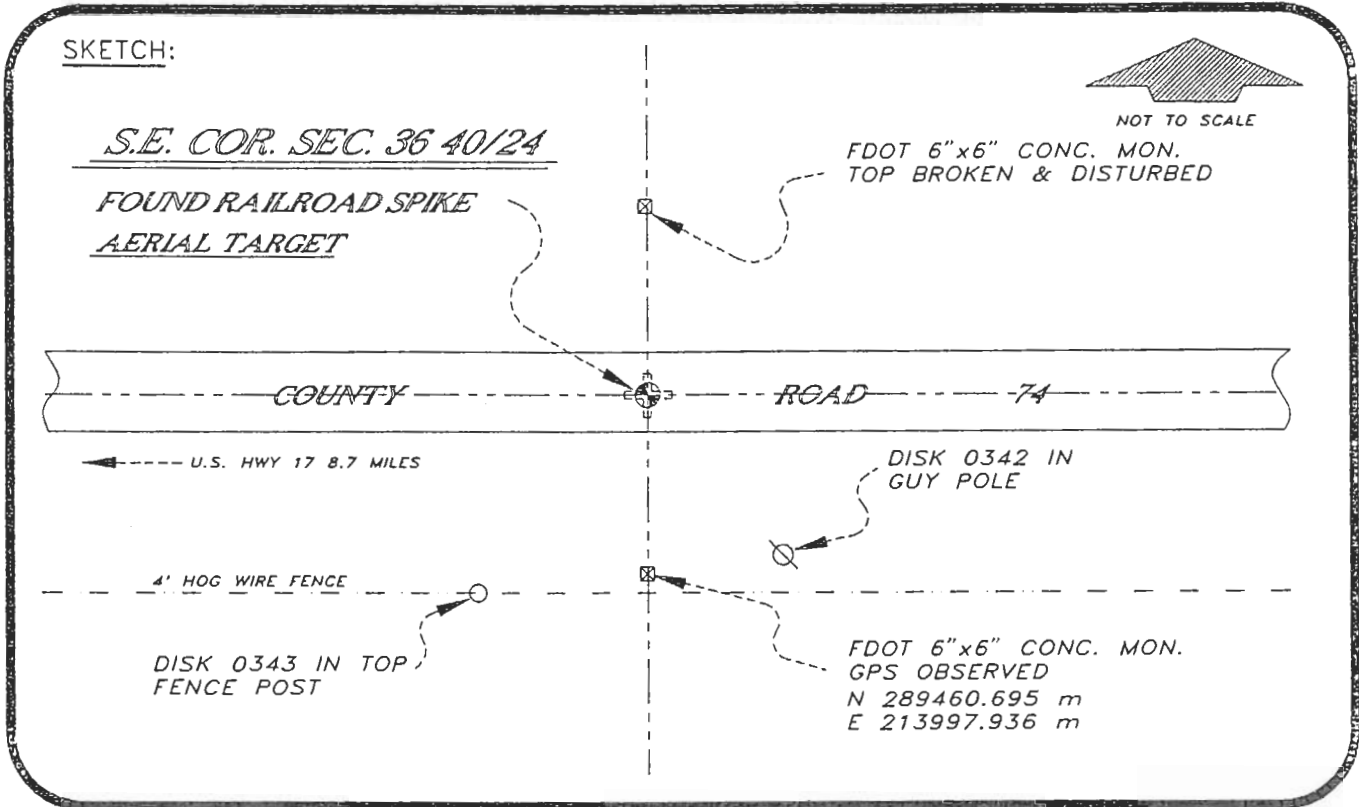
Comments:

4024Z25

DOC. #

051090

SKETCH:



BASIS OF BEARING SOLAR OBSERVATION

REFER: FB 304/05

REFERENCE MEASUREMENTS

Description	Bearing	Distance
DISK 0343 IN FENCE POST	S 33°34'13" W	60.77'
DISK 0342 IN GUY POLE	S 20°32'18" E	48.77'
FDOT CONC. MON. (BROKEN)	N 00°13'47" E	49.66'
FDOT CONC. MON.(GPS OBS.)	S 00°35'29" W	50.34'
	(S 00°31'39" W GRID)	

SURVEYORS CERTIFICATE: I certify the monument and accessories indicated above were field located on DECEMBER 20, 19 93.

R. Ross
SIGNATURE

PLS 4260

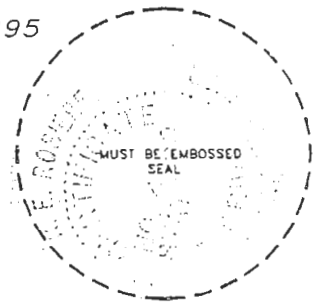
UPDATED JAN. 11, 1995

1/17/95
DATE

CHARLOTTE COUNTY SURVEY DEPT.

7000 FLORIDA STREET
ADDRESS

PUNTA GORDA, FLA. 33950
CITY STATE



507

Completeness checked by: *B. Synt*
 Accepted and filed: 3-1-95
 B.L.M. - I.D. 01363106 Date
 D.N.R. USE ONLY

SEND TO:
 Department of Environmental Protection
 Bureau of Survey and Mapping
 3900 Commonwealth Boulevard
 Mail Station 105
 Tallahassee, Florida 32399