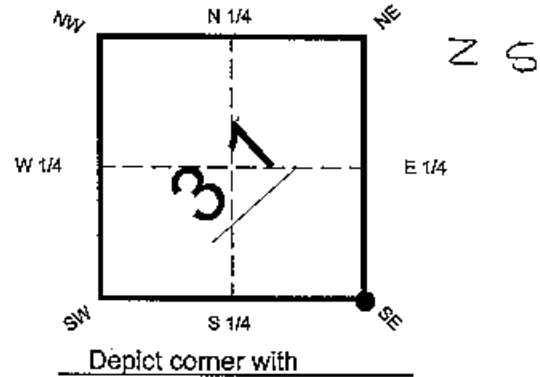


FLORIDA DEPARTMENT OF ENVIRONMENTAL PROTECTION
CERTIFIED CORNER RECORD

CORNER DESCRIPTION:

S. E. corner of Section 31 ,
Twp 40 S. , Rge 26 E. ,
Tallahassee Base Meridian,
CHARLOTTE County(s), Florida .



MONUMENTATION DESCRIPTION:

Describe original monument and accessories, or subsequent restoration. Give sources of information. (If no attempt was made to search for the original monument and accessories, this information is not necessary.)

Description of corner evidence found:

3"X3" CONCRETE MONUMENT (D.O.T.) , REPLACED WITH CONCRETE MONUMENT

State method(s) to determine corner location (lost corners only):

HORIZONTAL POSITION INFORMATION (if determined):

Latitude 26°56'44.20674" N Longitude 81°44'40.10300" W
Y(Northing) 289403.795 m X(Easting) 225373.046 m Zone Fl. W.
Convergence -0°06'56.5" Scale factor 0.99994911

Coordinate determination (circle one): Field traverse GPS

Horizontal datum NAD83(1990)

Order of accuracy as defined in Standards and Specifications for Geodetic Control Networks published by the Federal Geodetic Control Committee (circle one):

1st, 2nd, 3rd, class 1 ,

or Minimum Technical Standards (Chapter 21HH-6, F.A.C.) ratio of closure for field data (example 1:10,000), _____ . This does not specify an order of accuracy.

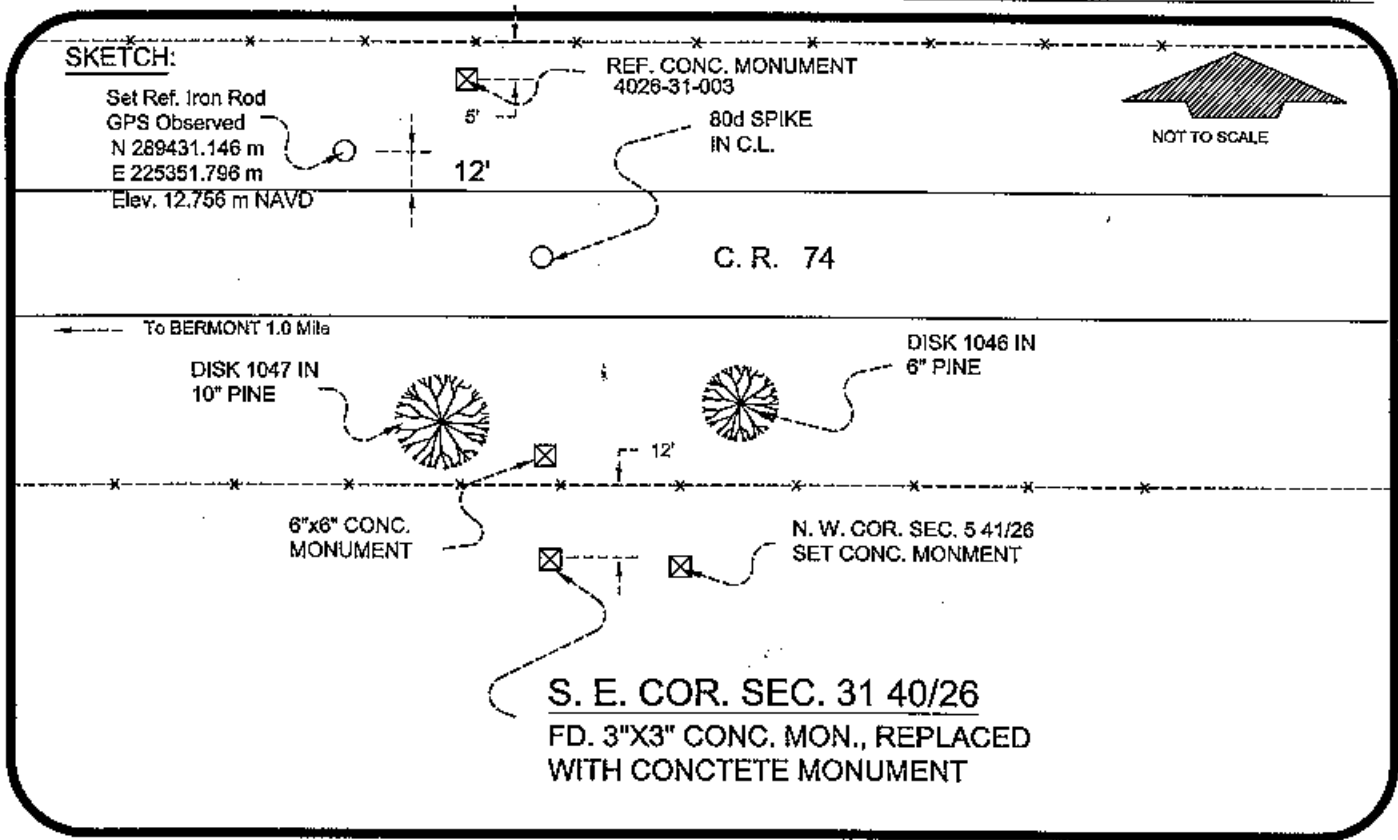
Control point(s) used for survey: CHARLOTTE COUNTY HORIZONTAL CONTROL NETWORK INCLUDES HAVOLINE 2, PLACIDA 2, W260, PUNTPORT, & FLGPS 58 AS B ORDER STATIONS.

Comments:

4026Z05

DOC. #

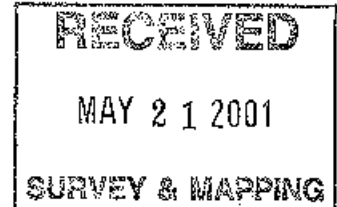
071667



BASIS OF BEARING SOLAR OBSERVATION REFER: FB 310/17
 Elevations are GPS derived orthometric height (GEOID96) NAVD in meters.

REFERENCE MEASUREMENTS

Description	Bearing	Distance
DISK 1046 IN 6" PINE	N 49°04'45" E	30.74
DISK 1047 IN 10" PINE	N 44°44'10" W	20.88'
6"x6" CONC. MONUMENT	N 00°55'48" W	16.30'
80d SPIKE IN C.L.	N 00°09'42" E	66.28'
N. W. COR. SEC. 5 41/26	S 88°58'03" E	19.14'
Ref. Conc. Mon.	N 10°00'54" W	116.16'
Set Ref. Iron Rod	N 37°57'40" W	113.64' GPS Obs.



SURVEYORS CERTIFICATE: I certify the monument and accessories indicated above were field located on SEPTEMBER 7, 2000

R. Rose
 SIGNATURE

PLS 4260

February 8, 2001

DATE

CHARLOTTE COUNTY SURVEY DEPT.

FIRM OR AGENCY

7000 FLORIDA STREET

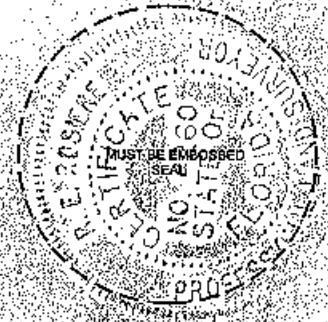
ADDRESS

PUNTA GORDA, FLA. 33950

CITY

STATE

*Sob
 Telegraph
 Swamp NW*



SEND TO:

Department of Environmental Protection
 Bureau of Survey and Mapping
 3900 Commonwealth Boulevard
 Mail Station 105
 Tallahassee, Florida 32399

Completeness checked by: CS
 Accepted and filed: 6-01-01
 Date
 B.L.M. - I.D. 200100 D.N.R. USE ONLY