

4120C13

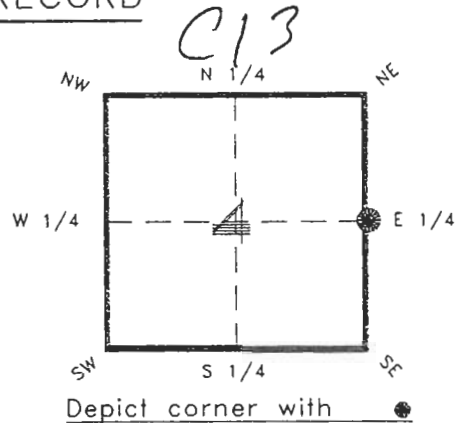
DOC. #

050928

FLORIDA DEPARTMENT OF NATURAL RESOURCES
CERTIFIED CORNER RECORD

CORNER DESCRIPTION:

E. 1/4 corner of Section 4 ,
Twp 41 S. , Rge 20 E. ,
Tallahassee Base Meridian,
CHARLOTTE County(s), Florida.



MONUMENTATION DESCRIPTION:

Describe original monument and accessories, or subsequent restoration. Give sources of information. (If no attempt was made to search for the original monument and accessories, this information is not necessary.)

Description of corner evidence found:
FOUND CAPPED IRON ROD#2230

State method(s) to determine corner location (lost corners only):

HORIZONTAL POSITION INFORMATION (if determined):

Latitude 26°56'17.13414 N Longitude 82°18'16.92793 W
Y(Northing) 288581.401 m X(Easting) 169741.968 m Zone FLW
Convergence -0°08'16.942" Scale factor 0.99995247

Coordinate determination (circle one): Field traverse GPS
Horizontal datum (circle one): NAD27 NAD83(1986) NAD83(1990) other (explain)

Order of accuracy as defined in "Standards and Specifications for Geodetic Control Networks" published by the Federal Geodetic Control Committee (circle one):
1st, 2nd, 3rd, class 1 ,

or Minimum Technical Standards (Chapter 21HH-6, F.A.C.) ratio of closure for field data (example 1:10,000), _____ . This does not specify an order of accuracy.

Control point(s) used for survey:

Comments:

PLEASE SEND ORIGINAL ONLY
PLEASE COMPLETE IN BLACK INK OR TYPE

JAN 31 1995
DNR 53-001(16)
REV: 7/16/92
PAGE 1 OF 2
SURVEY & MAPPING

4120C13

050928

DOC. #

SKETCH:



E 1/2 COR. SEC. 4 41/20
FOUND IRON ROD LB#2230
AERIAL TARGET



S.E. COR. CONC.
PAD MOBILE
HOME #1433
FALCON DRIVE

N.00°42'57"E
2714.28(M)

N.E. COR. SEC. 4
41/20 CONC. MON.

WIMBLEDON BLVD.
(UNIMPROVED)
12' WIDE DIRT TRAIL

PK. & DISC IN WOOD
P/POLE LB#2230

8" PINE PK. & DISC
LB#2230

"X" CUT IN CONCRETE
P/POLE

PLEASE COMPLETE IN BLACK INK OR TYPE

BEARINGS BASED ON TRUE MERIDIAN FROM SOLAR OBSERVATION

All bearings and distances must be from the corner to the witness. Indicate whether corner was found, set, or replaced and show north arrow. REF: FB. 281-43

REF: PC. SECT. 73 PB. 6, PG. 29-PC. SECT. 69 PB. 6 PG. 20

REFERENCE MEASUREMENTS (at least three vicinity references must be given below even if they appear on the above sketch):

Description	Bearing	Distance
PK. & DISC LB#2230 IN 8" PINE	S.51°51'43"E.	59.80'
PK. & DISC LB#2230 IN WD. P/POLE	N.68°41'07"E.	34.58'
"X" CUT IN CONCRETE P/POLE	S.03°00'07"W.	178.44'
MOBILE HOME CONC. PAD S.E. COR.	S.79°29'47"W.	64.56'

SURVEYORS CERTIFICATE: I certify the monument and accessories indicated above were field located on JUNE 10, 19 92.

UPGRADE JAN. 3, 1995


SIGNATURE PLS 4260

1/30/95
DATE

CHARLOTTE COUNTY SURVEY DEPT.
FIRM OR AGENCY

7000 FLORIDA STREET
ADDRESS

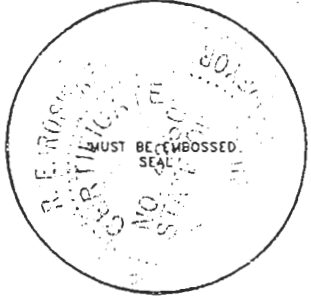
PUNTA GORDA, FLA. 33950
CITY STATE

Completeness checked by: B. Hunt

Accepted and filed: 3-1-95
Date

B.L.M. - I.D. 0400CLO3 D.N.R. USE ONLY

511



SEND TO:

Department of Natural Resources
Bureau of Survey and Mapping
3900 Commonwealth Boulevard
Mail Station 105
Tallahassee, Florida 32399

DNR 53-001(16)
REV. 7/16/92
PAGE 2 OF 2