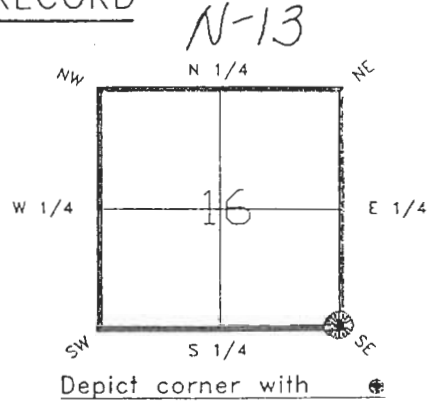


4121N13

FLORIDA DEPARTMENT OF NATURAL RESOURCES
CERTIFIED CORNER RECORD

CORNER DESCRIPTION:

S.E. corner of Section 16 ,
Twp 41 S. , Rge 21 E. ,
Tallahassee Base Meridian,
CHARLOTTE County(s), Florida.



MONUMENTATION DESCRIPTION:

Describe original monument and accessories, or subsequent restoration. Give sources of information. (If no attempt was made to search for the original monument and accessories, this information is not necessary.)
NONE FOUND

Description of corner evidence found:

CONCRETE MONUMENT ON SURFACE

State method(s) to determine corner location (lost corners only):

HORIZONTAL POSITION INFORMATION (if determined):

Latitude 26°54'05.35466"N Longitude 82°12'24.86882"W
Y(Northing) 284506.019 (M) X(Easting) 179446.686(M) Zone FL W
Convergence -0°05'37.023" Scale factor 0.99994639

Coordinate determination (circle one):

Field traverse **GPS**

Horizontal datum (circle one):

NAD27 NAD83(1986) **NAD83(1990)** other (explain)

Order of accuracy as defined in "Standards and Specifications for Geodetic Control Networks" published by the Federal Geodetic Control Committee (circle one):

1st, **2nd**, 3rd, class 1

or Minimum Technical Standards (Chapter 21HH-6, F.A.C.) ratio of closure for field data (example 1:10,000), _____ . This does not specify an order of accuracy.

Control point(s) used for survey:

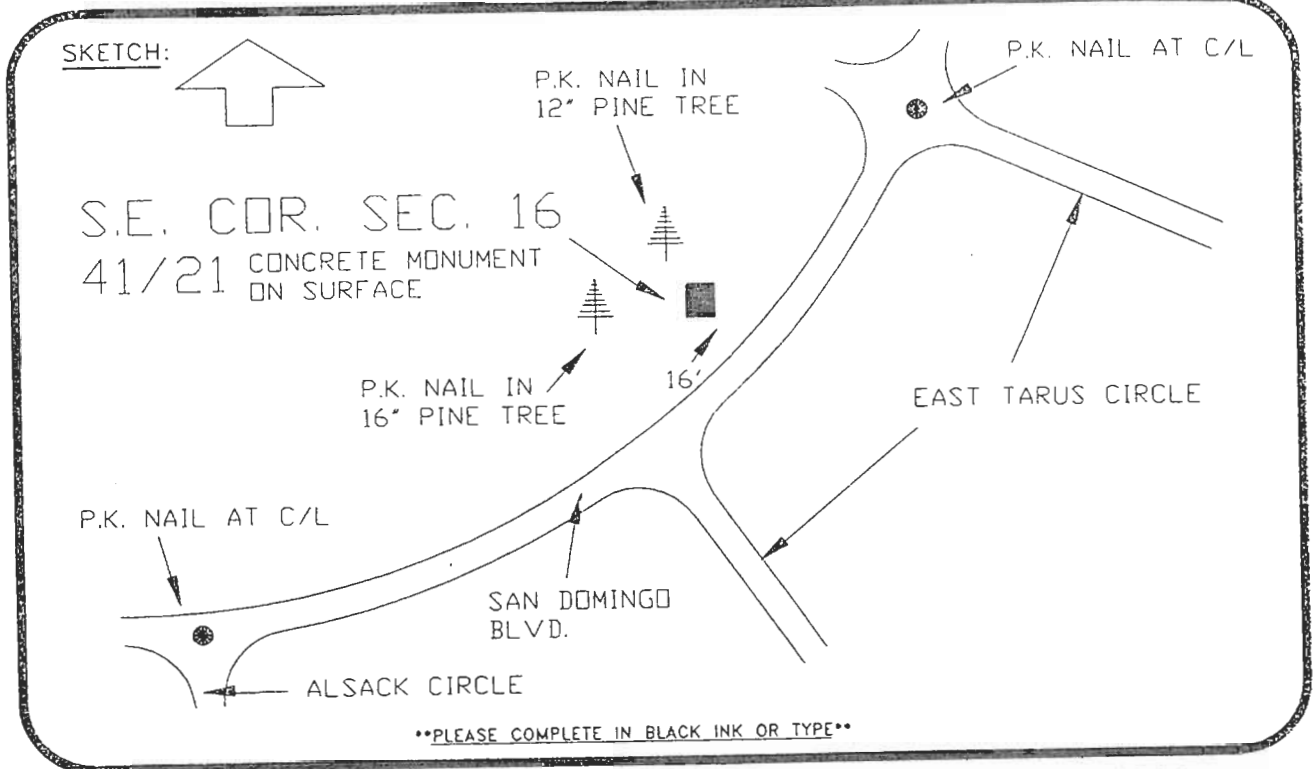
Comments:

****PLEASE SEND ORIGINAL ONLY****
****PLEASE COMPLETE IN BLACK INK OR TYPE****

RECEIVED

JUL 26 1993
BAR 53-0010153
REV: 7/16/92
PAGE 1 OF 2

SURVEY & MAPPING



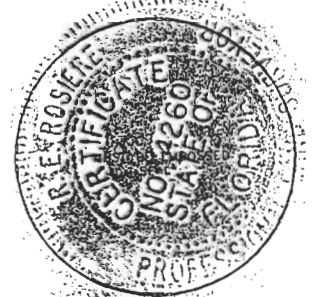
BASIS OF BEARING-PLAT DATUM REFER:PORT CHARLOTTE SUBD.,SEC. 93,P.B. 9,PG.1
All bearings and distances must be from the corner to the witness. Indicate whether corner was found, set, or replaced and show north arrow. REFER:F.B. 274-07

SET SURVEY MARKER POST 2.0'W.'LY
REFERENCE MEASUREMENTS (at least three vicinity references must be given below even if they appear on the above sketch):

Description	Bearing	Distance
P.K. NAIL IN 12" PINE TREE	N.42°03'00"W.	30.70'
P.K. NAIL IN 16" PINE TREE	S.78°42'25"W.	73.91'
P.K. NAIL AT C/L ALSACK CIRCLE	S.57°27'48"W.	414.30'
P.K. NAIL AT C/L EAST TARUS CIRCLE	N.47°53'20"E.	201.39'

SURVEYORS CERTIFICATE: I certify the monument and accessories indicated above were field located on OCTOBER 29, 19 91.

[Signature] PLS 4260
SIGNATURE
July 12, 1993
DATE
CHARLOTTE COUNTY SURVEY DEPT.
FIRM OR AGENCY
7000 FLORIDA STREET
ADDRESS
PUNTA GORDA, FLA. 33950
CITY STATE



SEND TO:

Department of Natural Resources
Bureau of Survey and Mapping
3900 Commonwealth Boulevard
Mail Station 105
Tallahassee, Florida 32399

DNR 53-001(16)
REV. 7/16/92
PAGE 2 OF 2

Completeness checked by: G. Garden
Accepted and filed: 8-93 Date
B.L.M. - I.D. 21161522 D.N.R. USE ONLY