

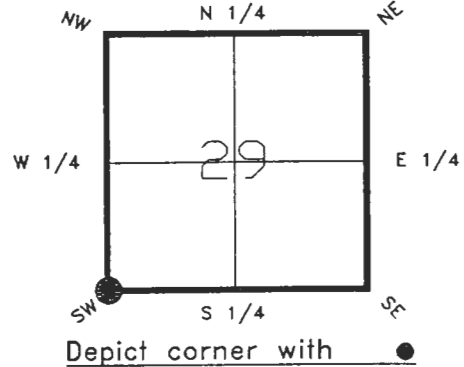
4121V05

FLORIDA DEPARTMENT OF NATURAL RESOURCES
CERTIFIED CORNER RECORD

V05

CORNER DESCRIPTION:

S.W. corner of Section 29 ,
Twp 41 S. , Rge 21 E. ,
Tallahassee Base Meridian,
CHARLOTTE County(s), Florida.



MONUMENTATION DESCRIPTION:

Describe original monument and accessories, or subsequent restoration. Give sources of information. (If no attempt was made to search for the original monument and accessories, this information is not necessary.)
NONE FOUND

Description of corner evidence found:

CONCRETE MONUMENT WITH SECTIONS NUMBERED IN ROUND METAL TOP AT GRADE

State method(s) to determine corner location (lost corners only):

HORIZONTAL POSITION INFORMATION (if determined):

Latitude 26°52'18.00373" N Longitude 82°14'22.16601" W
Y(Northing) 281207.826 m X(Easting) 176203.825 m Zone FLW
Convergence -0°06'29.695" Scale factor 0.99994816

Coordinate determination (circle one): Field traverse GPS
Horizontal datum (circle one): NAD27 NAD83(1986) NAD83(1990) other (explain)

Order of accuracy as defined in "Standards and Specifications for Geodetic Control Networks" published by the Federal Geodetic Control Committee (circle one):
1st, 2nd, 3rd, class 1 ,

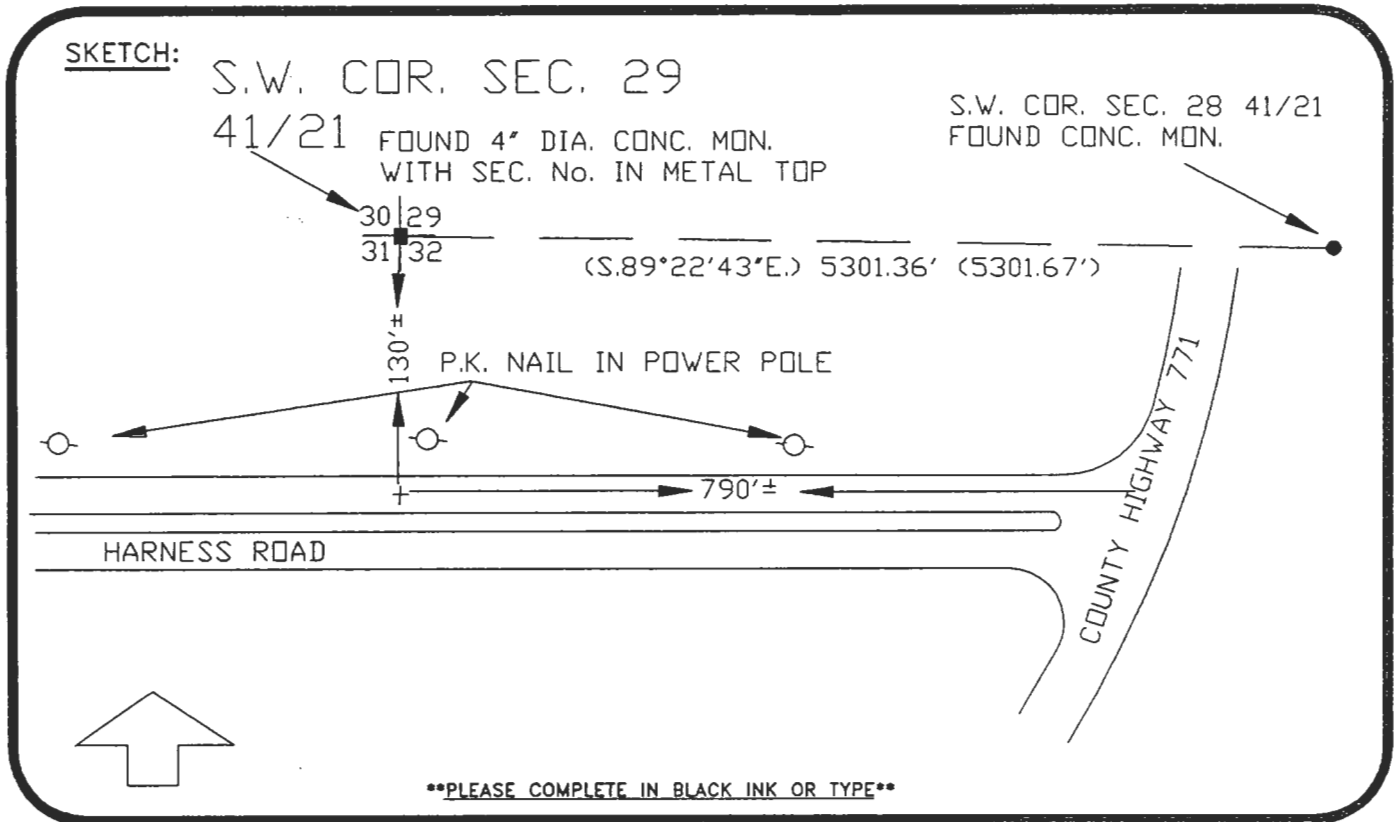
or Minimum Technical Standards (Chapter 21HH-6, F.A.C.) ratio of closure for field data (example 1:10,000), . This does not specify an order of accuracy.

Control point(s) used for survey:

Comments:



AUG 24 1991



****PLEASE COMPLETE IN BLACK INK OR TYPE****

(BASIS OF BEARING) REFER: ROTONDA MEADOWS SUBDIVISION, PLAT BOOK 10 PAGE 15
All bearings and distances must be from the corner to the witness. Indicate whether corner was found, set, or replaced and show north arrow. REFER: F.B. 274-16

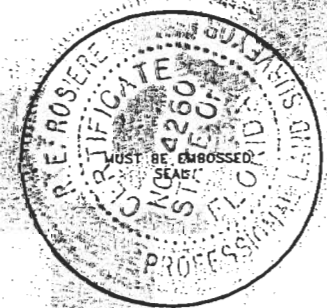
REFERENCE MEASUREMENTS (at least three vicinity references must be given below even if they appear on the above sketch):

Description	Bearing	Distance
P.K. NAIL IN POWER POLE	S.58°55'44"W.	216.16'
P.K. NAIL IN POWER POLE	S.07°18'01"E.	112.50'
P.K. NAIL IN POWER POLE	S.62°19'39"E.	242.07'
SET SURVEY MARKER POST	N.'LY	1.7'

SURVEYORS CERTIFICATE: I certify the monument and accessories indicated above were field located on October 25, 19 93.

[Signature] PLS 4260
SIGNATURE
August 22, 1994
DATE
CHARLOTTE COUNTY SURVEY DEPT.
FIRM OR AGENCY
7000 FLORIDA STREET
ADDRESS
PUNTA GORDA, FLA. 33950
CITY STATE

474



Completeness checked by: [Signature]
Accepted and filed: [Signature]
B.L.M. - I.D. 31302932 Date 8-1-94
D.N.R. USE ONLY

SEND TO:

Department of Natural Resources
Bureau of Survey and Mapping
3900 Commonwealth Boulevard
Mail Station 105
Tallahassee, Florida 32399

DNR 53-001(16)
REV. 7/16/92
PAGE 2 OF 2