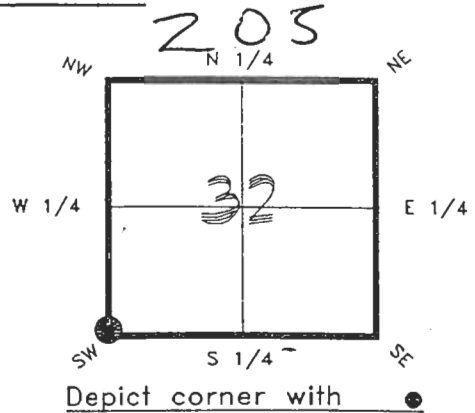


4121Z05

FLORIDA DEPARTMENT OF NATURAL RESOURCES
CERTIFIED CORNER RECORD

CORNER DESCRIPTION:

SW. corner of Section 32 ,
Twp 41 S. , Rge 21 E. ,
Tallahassee Base Meridian,
CHARLOTTE County(s), Florida.



MONUMENTATION DESCRIPTION:

Describe original monument and accessories, or subsequent restoration. Give sources of information. (If no attempt was made to search for the original monument and accessories, this information is not necessary.)

Description of corner evidence found:

CONCRETE MONUMENT

State method(s) to determine corner location (lost corners only):

HORIZONTAL POSITION INFORMATION (if determined):

Latitude 26°51'26.20388"N Longitude 82°14'22.39795"W
Y(Northing) 279613619 X(Easting) 176194.412 Zone FL W
Convergence -0°06'29.607" Scale factor 0.99994817

Coordinate determination (circle one): Field traverse GPS
Horizontal datum (circle one): NAD27 NAD83(1986) NAD83(1990) other (explain)

Order of accuracy as defined in "Standards and Specifications for Geodetic Control Networks" published by the Federal Geodetic Control Committee (circle one):
1st, 2nd, 3rd, class 1 ,

or Minimum Technical Standards (Chapter 21HH-6, F.A.C.) ratio of closure for field data (example 1:10,000), _____ . This does not specify an order of accuracy.

Control point(s) used for survey:

Comments:

RECEIVED

DEC 27 1994

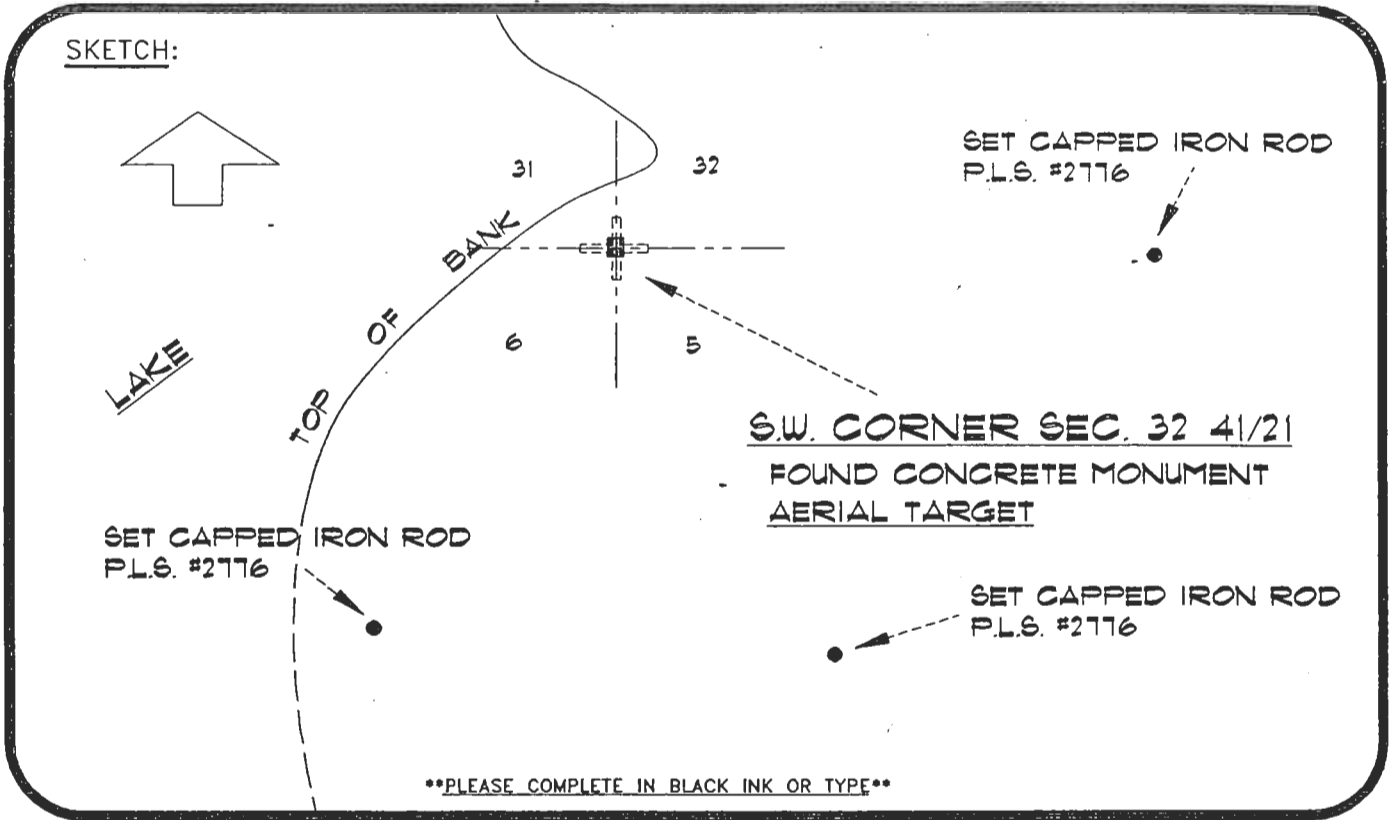
SURVEY & MAPPING

4121Z05

DOC. #

0050495

SKETCH:



BASIS OF BEARING-PLAT DATA REFER: F.B. 274-36 SET SURVEY MARKER POST 3.0' N. LY
 All bearings and distances must be from the corner to the witness. Indicate whether corner was found, set, or replaced and show north arrow.

REFERENCE MEASUREMENTS (at least three vicinity references must be given below even if they appear on the above sketch):

Description	Bearing	Distance
SET CAPPED IRON ROD P.L.S. #2776	S89°04'24"E.	86.02'
SET CAPPED IRON ROD P.L.S. #2776	S31°50'39"W.	73.21'
SET CAPPED IRON ROD P.L.S. #2776	S23°05'38" E(P)	74.39'
(SOLAR OBSERVATION S23°54'31"E.)		

SURVEYORS CERTIFICATE: I certify the monument and accessories indicated above were field located on December 15, 1994.

[Signature] PLS 4260
 SIGNATURE
December 20, 1994
 DATE
 CHARLOTTE COUNTY SURVEY DEPT.
 FIRM OR AGENCY
 7000 FLORIDA STREET
 ADDRESS
 PUNTA GORDA, FLA. 33950
 CITY STATE

474



Completeness checked by: [Signature]
 Accepted and filed: 01-95
 Date
 B.L.M. - I.D. 06 31 3205 D.N.R. USE ONLY

SEND TO:

Department of Natural Resources
 Bureau of Survey and Mapping
 3900 Commonwealth Boulevard
 Mail Station 105
 Tallahassee, Florida 32399

DNR 53-001(16)
 REV. 7/16/92
 PAGE 2 OF 2