

4122J21

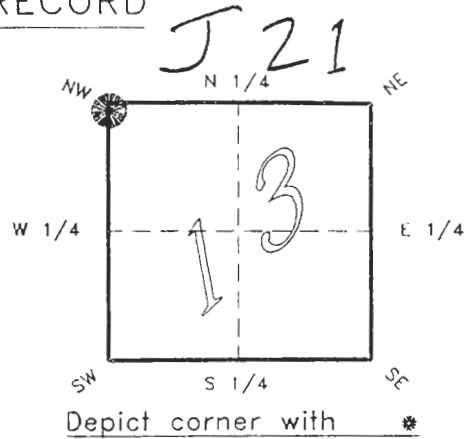
DOC. #

0046790

FLORIDA DEPARTMENT OF NATURAL RESOURCES
CERTIFIED CORNER RECORD

CORNER DESCRIPTION:

N. W. corner of Section 13 ,
Twp 41 S. , Rge 22 E. ,
Tallahassee Base Meridian,
CHARLOTTE County(s), Florida.



MONUMENTATION DESCRIPTION:

Describe original monument and accessories, or subsequent restoration. Give sources of information. (If no attempt was made to search for the original monument and accessories, this information is not necessary.)

Description of corner evidence found:

CONCRETE MONUMENT 1.5' BELOW PAVEMENT, REPLACED WITH CONCRETE MONUMENT IN WELL.

State method(s) to determine corner location (lost corners only):

HORIZONTAL POSITION INFORMATION (if determined):

Latitude 26°55'01.67223" Longitude 82°04'14.80524"
Y(Northing) 286224.454 m X(Easting) 192970.085 m Zone FLW
Convergence -0°01'55.351" Scale factor 0.99994179

Coordinate determination (circle one): Field traverse GPS

Horizontal datum (circle one): NAD27 NAD83(1986) NAD83(1990) other (explain)

Order of accuracy as defined in "Standards and Specifications for Geodetic Control Networks" published by the Federal Geodetic Control Committee (circle one): 1st, 2nd, 3rd, class 7 ,

or Minimum Technical Standards (Chapter 21HH-6, F.A.C.) ratio of closure for field data (example 1:10,000), _____ . This does not specify an order of accuracy.

Control point(s) used for survey:

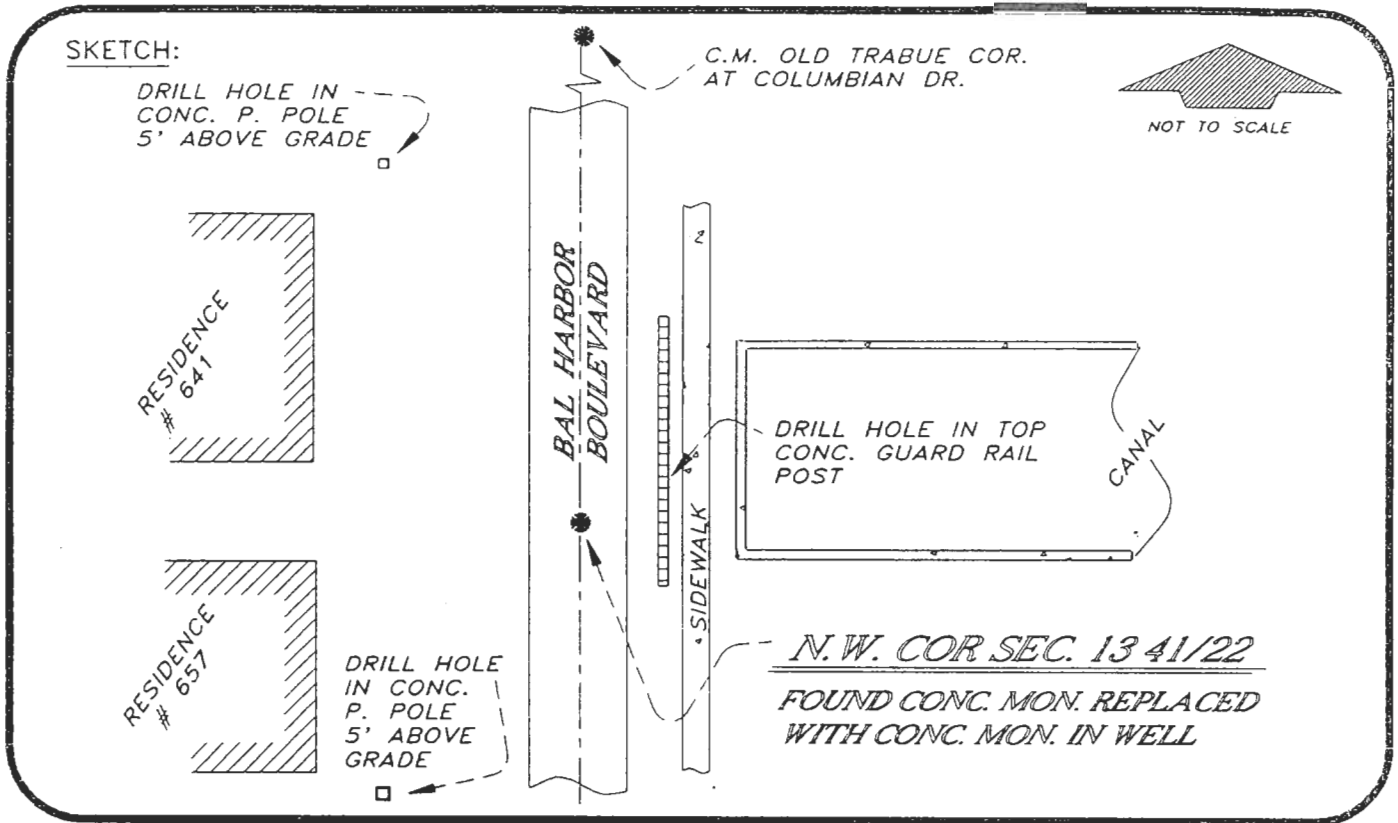
Comments:

Stamp: OCT 01 1995

0046790

4122J21

DOC. #



BASIS OF BEARING SOLAR OBSERVATION REFER FB 298/03

All bearings and distances must be from the corner to the witness. Indicate whether corner was found, set, or replaced and show north arrow.

REFERENCE MEASUREMENTS (at least three vicinity references must be given below even if they appear on the above sketch):

Description	Bearing	Distance
DRILL HOLE IN CONC. P.P.	N 12°12'06" W	103.50'
DRILL HOLE IN CONC. P.P.	S 13°12'04" W	96.34'
DRILL HOLE IN GUARD POST	N 33°52'54" E	31.85'
C.M. OLD TRABUE COR.	N 00°00'54" E	1680.16'

SURVEYORS CERTIFICATE: I certify the monument and accessories indicated above were field located on JUNE 15, 19 93.

[Signature] PLS 4260
 SIGNATURE
9-27-93
 DATE
 CHARLOTTE COUNTY SURVEY DEPT.
 FIRM OR AGENCY
 7000 FLORIDA STREET
 ADDRESS
 PUNTA GORDA, FLA. 33950
 CITY STATE

509



Completeness checked by: [Signature]
 Accepted and filed: 1-1-93 Date
 B.L.M. - I.D. 1411213 D.N.R. USE ONLY

SEND TO:
 Department of Natural Resources
 Bureau of Survey and Mapping
 3900 Commonwealth Boulevard
 Mail Station 105
 Tallahassee, Florida 32399
 DNR 53-001(16)
 REV. 7/16/92
 PAGE 2 OF 2