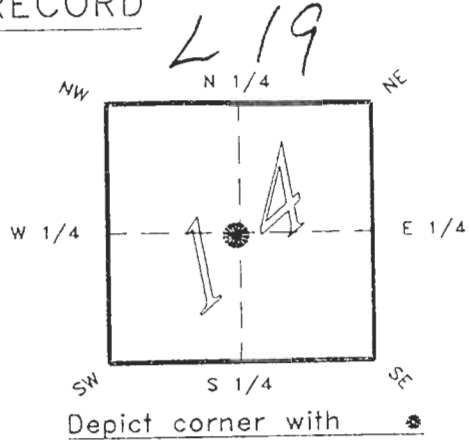


4122L19

FLORIDA DEPARTMENT OF NATURAL RESOURCES
CERTIFIED CORNER RECORD

CORNER DESCRIPTION:

CENTER of Section 14 ,
Twp 41 S , Rge 22 E. ,
Tallahassee Base Meridian,
CHARLOTTE County(s), Florida.



MONUMENTATION DESCRIPTION:

Describe original monument and accessories, or subsequent restoration. Give sources of information. (If no attempt was made to search for the original monument and accessories, this information is not necessary.)

Description of corner evidence found:

IRON ROD, REPLACED WITH CONCRETE MONUMENT IN WELL.

State method(s) to determine corner location (lost corners only):

HORIZONTAL POSITION INFORMATION (if determined):

Latitude 26°54'35.51714" Longitude 82°04'44.11727"
Y(Northing) 285419.968 m X(Easting) 192160.883 m Zone FLW
Convergence -0°02'08.588" Scale factor 0.99994193

Coordinate determination (circle one):

Field traverse

GPS

Horizontal datum (circle one): NAD27 NAD83(1986) NAD83(1990) other (explain)

Order of accuracy as defined in "Standards and Specifications for Geodetic Control Networks" published by the Federal Geodetic Control Committee (circle one):
1st, 2nd, 3rd, class 1 ,

or Minimum Technical Standards (Chapter 21HH-6, F.A.C.) ratio of closure for field data (example 1:10,000), _____ . This does not specify an order of accuracy.

Control point(s) used for survey:

Comments:



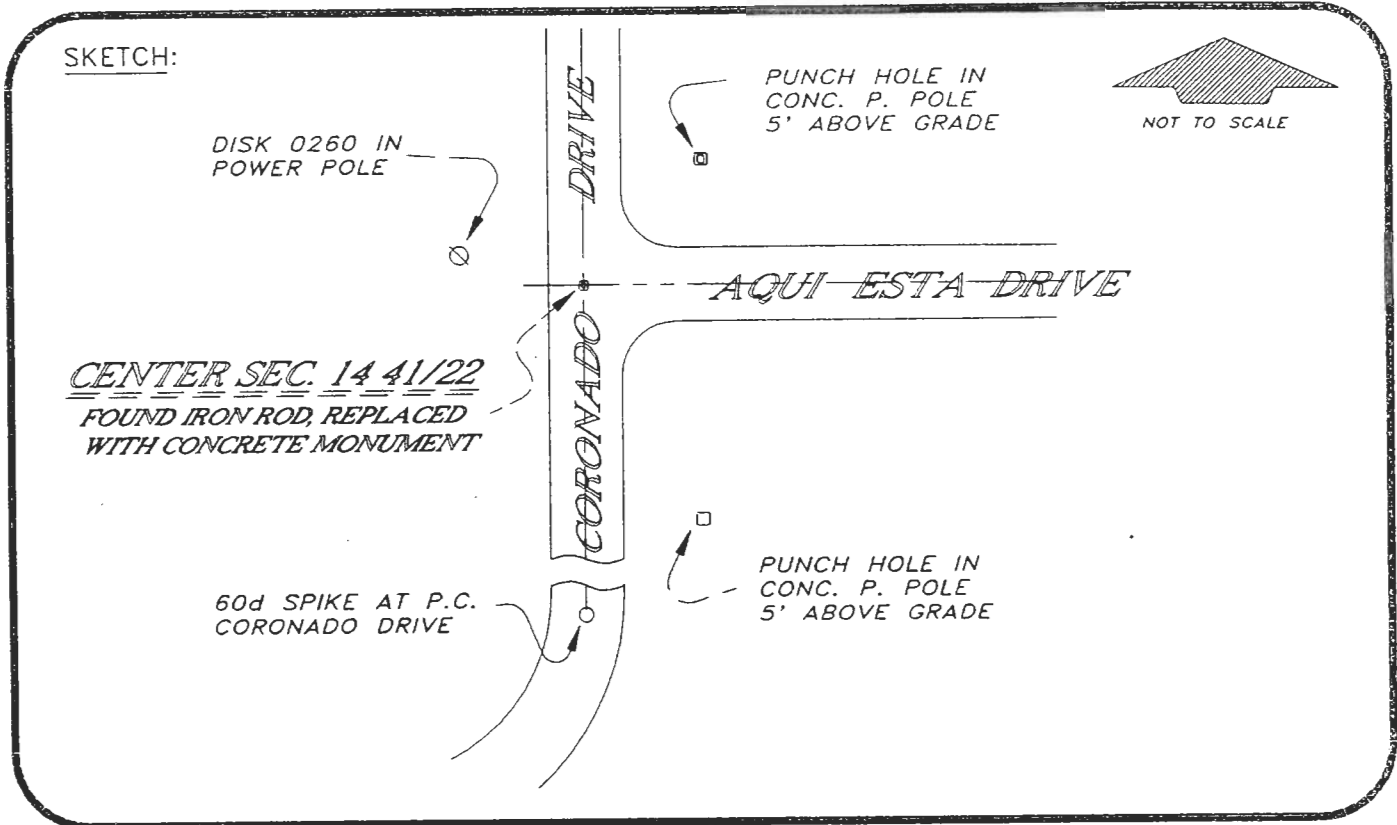
OCT 01 1993

SURVEY & MAPPING

0046792

4122L19

DOC. #



BASIS OF BEARING SOLAR OBSERVATION REFER FB 298/18
 All bearings and distances must be from the corner to the witness. Indicate whether corner was found, set, or replaced and show north arrow.

REFERENCE MEASUREMENTS (at least three vicinity references must be given below even if they appear on the above sketch):

Description	Bearing	Distance
60d SPIKE AT P.C.	S 00°01'12" W	872.74'
DISK 0266 IN POWER POLE	N 86°39'11" W	24.26'
PUNCH HOLE IN P. POLE	N 40°39'37" E	34.20'
PUNCH HOLE IN P. POLE	S 10°51'40" E	117.66'

SURVEYORS CERTIFICATE: I certify the monument and accessories indicated above were field located on JUNE 15, 19 93.

[Signature] PLS 4260
 SIGNATURE

9-27-93
 DATE

CHARLOTTE COUNTY SURVEY DEPT.
 FIRM OR AGENCY

7000 FLORIDA STREET
 ADDRESS

PUNTA GORDA, FLA. 33950
 CITY STATE

509



Completeness checked by: B. Pinton
 Accepted and filed: 11-1-93 Date
 B.L.M. - I.D. 14CLCL14 D.N.R. USE ONLY

SEND TO:
 Department of Natural Resources
 Bureau of Survey and Mapping
 3900 Commonwealth Boulevard
 Mail Station 105
 Tallahassee, Florida 32399

DNR 53-001(16)
 REV. 7/16/92
 PAGE 2 OF 2