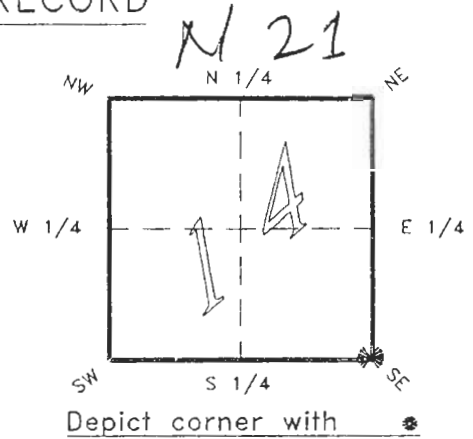


4122N21

FLORIDA DEPARTMENT OF NATURAL RESOURCES
CERTIFIED CORNER RECORD

CORNER DESCRIPTION:

S.E. corner of Section 14 ,
Twp 41 S. , Rge 22 E. ,
Tallahassee Base Meridian,
CHARLOTTE County(s), Florida.



MONUMENTATION DESCRIPTION:

Describe original monument and accessories, or subsequent restoration. Give sources of information. (If no attempt was made to search for the original monument and accessories, this information is not necessary.)

Description of corner evidence found:

PK NAIL WITH DISK. REPLACED WITH CONCRETE MONUMENT IN WELL.

State method(s) to determine corner location (lost corners only):

HORIZONTAL POSITION INFORMATION (if determined):

Latitude 26°54'09.36699" Longitude 82°04'15.05494"
Y(Northing) 284614.682 m X(Easting) 192962.295 m Zone FLW
Convergence -0°01'55.406" Scale factor 0.99994179

Coordinate determination (circle one): Field traverse GPS

Horizontal datum (circle one): NAD27 NAD83(1986) NAD83(1990) other (explain)

Order of accuracy as defined in "Standards and Specifications for Geodetic Control Networks" published by the Federal Geodetic Control Committee (circle one):
1st, 2nd, 3rd, class 1 ,

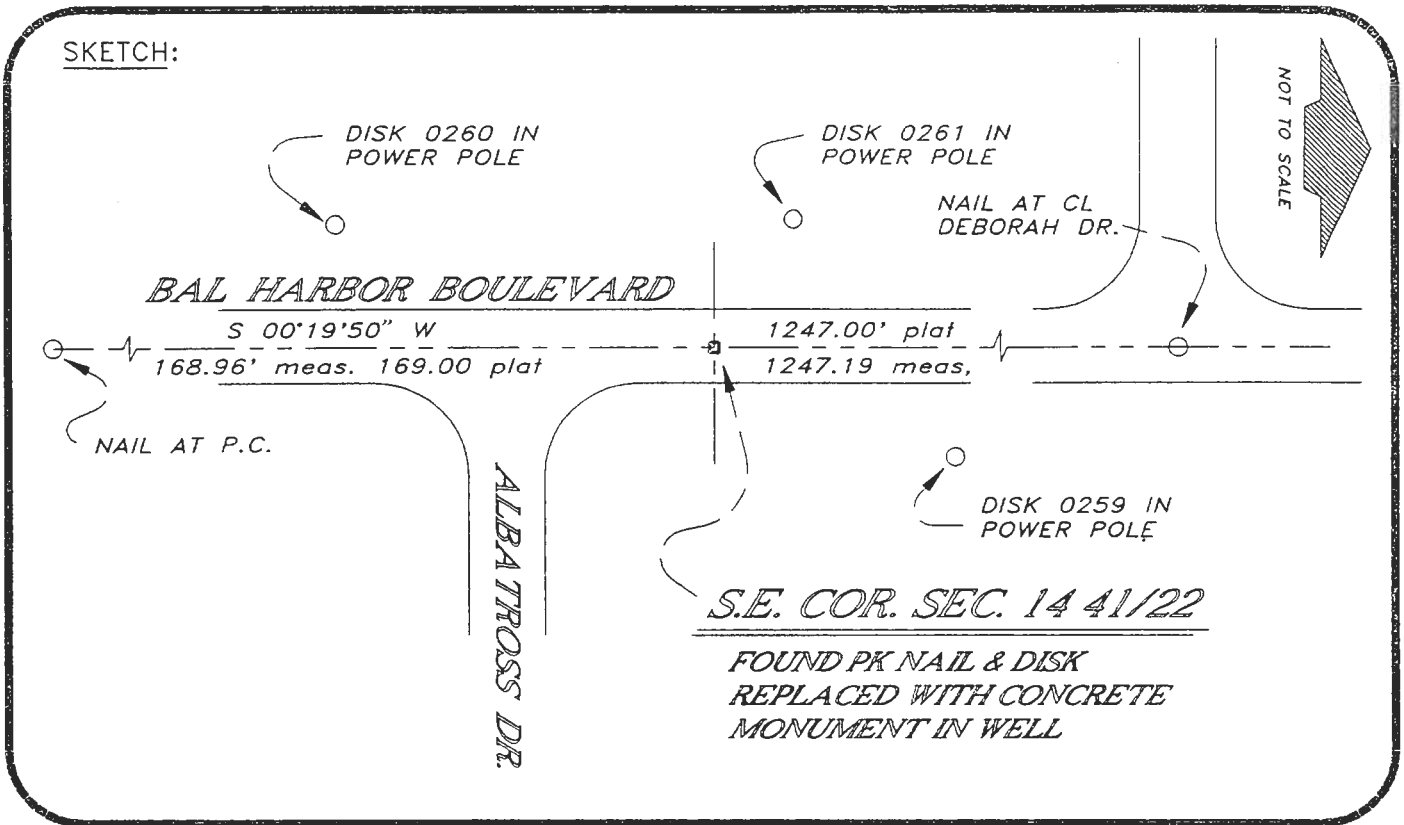
or Minimum Technical Standards (Chapter 21HH-6, F.A.C.) ratio of closure for field data (example 1:10,000), _____ . This does not specify an order of accuracy.

Control point(s) used for survey:

Comments:

OCT 01 1993
SURVEY & MAPPING

SKETCH:



BASIS OF BEARING SOLAR OBSERVATION REFER FB 298/15

All bearings and distances must be from the corner to the witness. Indicate whether corner was found, set, or replaced and show north arrow.

REFERENCE MEASUREMENTS (at least three vicinity references must be given below even if they appear on the above sketch):

Description	Bearing	Distance
DISK 0259 IN POWER POLE	N 15°35'37" E	107.72'
DISK 0260 IN POWER POLE	S 09°31'04" W	180.93'
DISK 0261 IN POWER POLE	N 52°54'18" W	34.15'

SURVEYORS CERTIFICATE: I certify the monument and accessories indicated above were field located on JULY 1, 19 93.

[Signature] PLS 4260
SIGNATURE

9-27-93
DATE

CHARLOTTE COUNTY SURVEY DEPT.
FIRM OR AGENCY

7000 FLORIDA STREET
ADDRESS

PUNTA GORDA, FLA. 33950
CITY STATE

509



Completeness checked by: [Signature]
Accepted and filed: 11-1-93 Date
B.L.M. - I.D. 23141324 D.N.R. USE ONLY

SEND TO:
Department of Natural Resources
Bureau of Survey and Mapping
3900 Commonwealth Boulevard
Mail Station 105
Tallahassee, Florida 32399
DNR 53-001(16)
REV. 7/16/92
PAGE 2 OF 2