

4123415

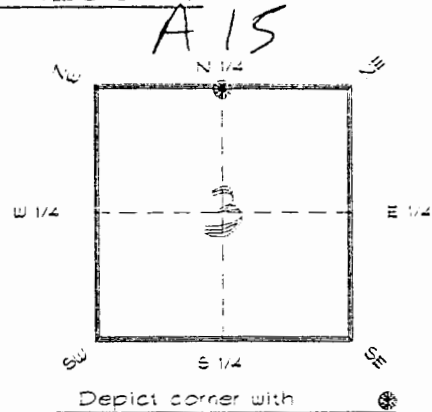
DOC. #

050969

**FLORIDA DEPARTMENT OF ENVIRONMENTAL PROTECTION
CERTIFIED CORNER RECORD**

CORNER DESCRIPTION:

N. 1/4 corner of Section 5,
Twp 41 S., Rge 23 E.,
Tallahassee Base Meridian,
CHARLOTTE County(s), Florida.



MONUMENTATION DESCRIPTION:

Describe original monument and accessories, or subsequent restoration. Give sources of information. (If no attempt was made to search for the original monument and accessories, this information is not necessary.)

Description of corner evidence found:

RAILROAD SPIKE (0.2' BELOW SURFACE)

RECEIVED
JAN 31 1995

State method(s) to determine corner location (lost corners only)

SURVEY & MAPPING

HORIZONTAL POSITION INFORMATION (if determined):

Latitude 26°56'50.00916" N Longitude 81°59'54.04834" W

Y(Northing) 289556.737 m X(Easting) 200164.159 m Zone FLW

Convergence 0°00'02.697" Scale factor 0.99994118

Coordinate determination (circle one): Field traverse GPS

Horizontal datum (circle one): NAD27 NAD83(1986) NAD83(1990) other (explain)

Order of accuracy as defined in Standards and Specifications for Geodetic Control Networks published by the Federal Geodetic Control Committee (circle one):
1st, 2nd, 3rd class

or Minimum Technical Standards (Chapter 61G17, F.A.C.) ratio of closure for field data (example 1:10,000), _____ . This does not specify an order of accuracy.

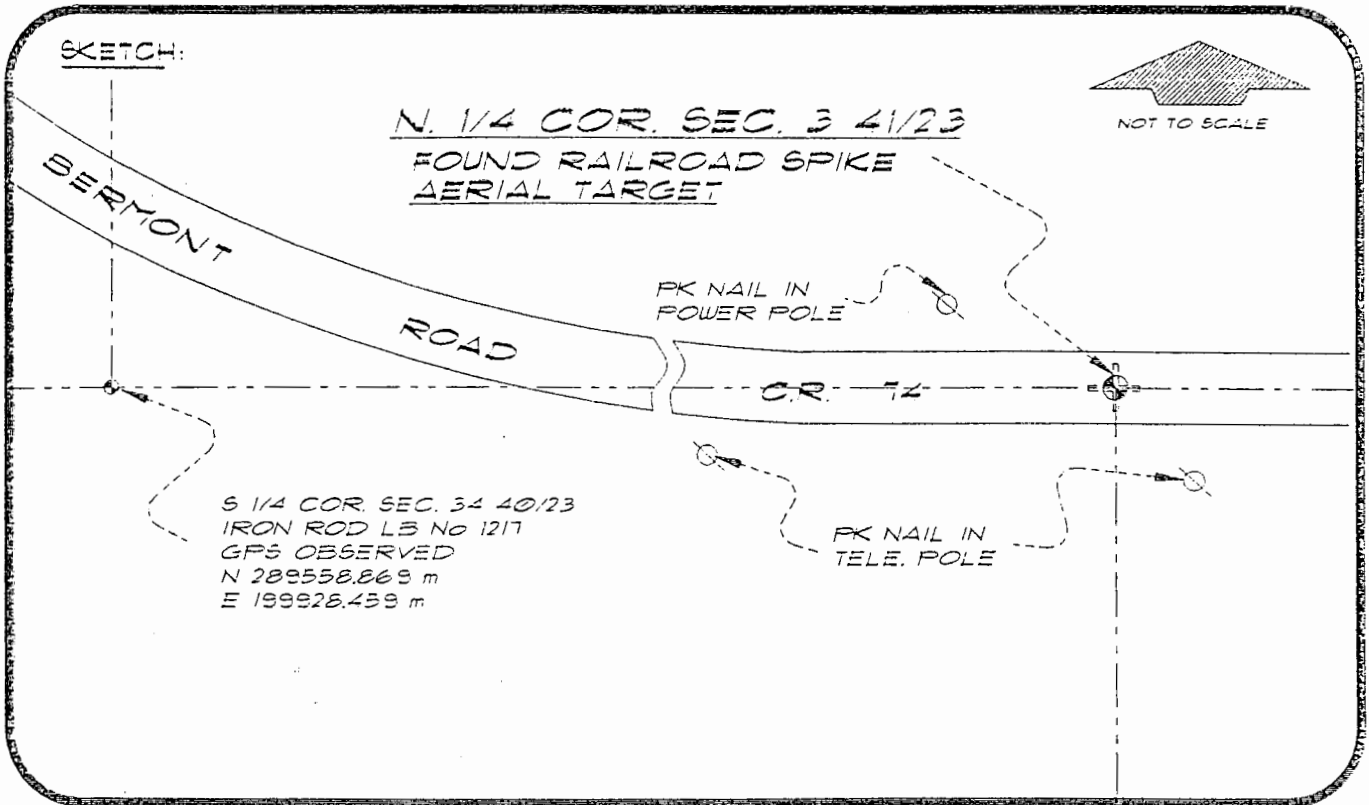
Control point(s) used for survey: CHARLOTTE COUNTY HORIZONTAL CONTROL NETWORK INCLUDES HAVOLINE 2, PLACIDA 2, W260, PUNTPORT, & FLGPS 38 AS B ORDER STATIONS.

Comments:

4123A15

DOC. #

050969



BASIS OF BEARING SOLAR OBSERVATION

REFER FB: 251/41

REFERENCE MEASUREMENTS

Description	Bearing	Distance
PK NAIL IN POWER POLE	N 61°02'42" W	99.78'
PK NAIL IN TELE. POLE	S 82°02'49" W	296.46'
PK NAIL IN TELE. POLE	S 33°49'31" E	53.74'
S. 1/4 COR. SEC. 34 40/23	N 89°28'53" W	773.37'

SURVEYORS CERTIFICATE: I certify the monument and accessories indicated above were field located on MARCH 21, 1994

R. R. Rose
SIGNATURE

PLS 4260

UPDATED 1/23/95

1/30/95
DATE

CHARLOTTE COUNTY SURVEY DEPT.
FIRM OR AGENCY

1000 FLORIDA STREET
ADDRESS

PUNTA GORDA, FLORIDA 33950
CITY STATE

508



Completeness checked by: *B. Lent*

Accepted and filed: *3-1-95*

BLM. - ID. 03CL0034 DEP. USE ONLY

03CL0006

SEND TO:

Department of Environmental Protection
Bureau of Survey and Mapping
3900 Commonwealth Boulevard
Mail Station 105
Tallahassee, Florida 32399