

4123C17

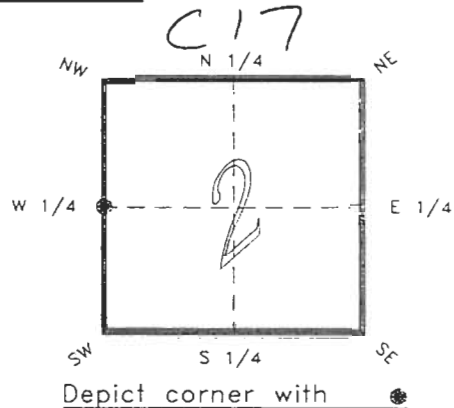
DOC. #

050966

FLORIDA DEPARTMENT OF ENVIRONMENTAL PROTECTION
CERTIFIED CORNER RECORD

CORNER DESCRIPTION:

W 1/4 corner of Section 2 ,
Twp 41 S. , Rge 23 E. ,
Tallahassee Base Meridian,
CHARLOTTE County(s), Florida.

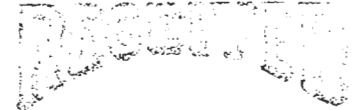


MONUMENTATION DESCRIPTION:

Describe original monument and accessories, or subsequent restoration. Give sources of information. (If no attempt was made to search for the original monument and accessories, this information is not necessary.)

Description of corner evidence found:

CONCRETE MONUMENT



State method(s) to determine corner location (lost corners only): JAN 31 1995

SURVEY & MAPPING

HORIZONTAL POSITION INFORMATION (if determined):

Latitude 26°56'21.444486" N Longitude 81°59'22.86784" W
Y(Northing) 288677.663 m X(Easting) 201024.252 m Zone FLW
Convergence 0°00'16.823" Scale factor 0.99994119

Coordinate determination (circle one): Field traverse GPS

Horizontal datum (circle one): NAD27 NAD83(1986) NAD83(1990) other (explain)

Order of accuracy as defined in "Standards and Specifications for Geodetic Control Networks" published by the Federal Geodetic Control Committee (circle one):
1st, 2nd, 3rd, class 1 ,

or Minimum Technical Standards (Chapter 21HH-6, F.A.C.) ratio of closure for field data (example 1:10,000), _____ . This does not specify an order of accuracy.

Control point(s) used for survey: CHARLOTTE COUNTY HORIZONTAL CONTROL NETWORK INCLUDES HAVOLINE 2, PLACIDA 2, W260, PUNTAPORT, & FLGPS 58 AS B ORDER STATIONS.

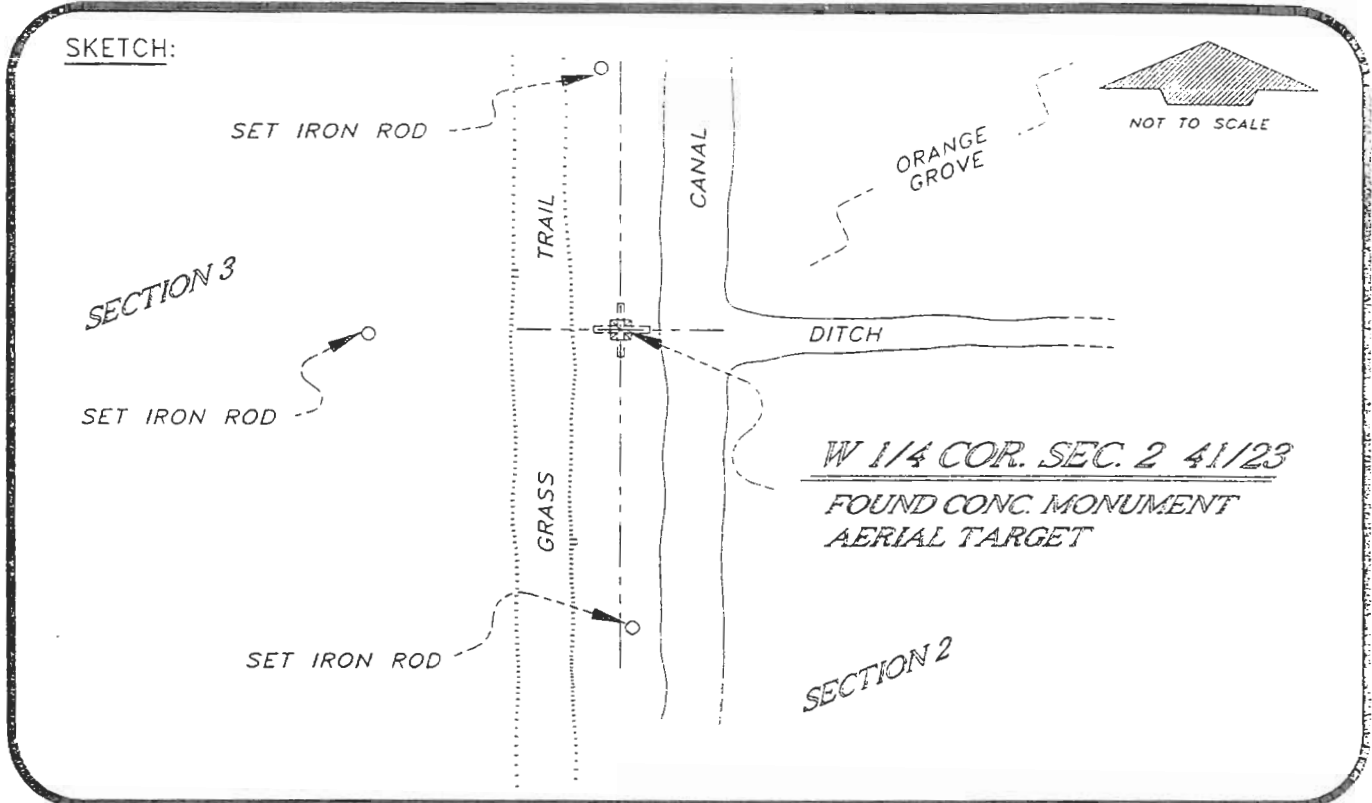
Comments:

4123C17

DOC. #

050966

SKETCH:



BASIS OF BEARING SOLAR OBSERVATION

REFER: FB 283/67

REFERENCE MEASUREMENTS

<u>Description</u>	<u>Bearing</u>	<u>Distance</u>
SET IRON ROD	S 02°45'06" E	114.22'
SET IRON ROD	S 89°28'27" W	82.80'
SET IRON ROD	N 03°43'04" W	109.63'

SURVEYORS CERTIFICATE: I certify the monument and accessories indicated above were field located on JUNE 30, 19 93.

R. Ros

PLS 4260

UPDATED 1/24/95

SIGNATURE

1/30/95

DATE

CHARLOTTE COUNTY SURVEY DEPT.

FIRM OR AGENCY

7000 FLORIDA STREET

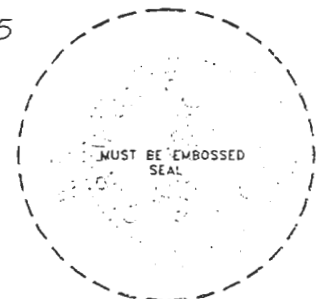
ADDRESS

PUNTA GORDA, FLA. 33950

CITY

STATE

508



Completeness checked by: *R. Ros*

Accepted and filed: *3-1-95*

B.L.M. - I.D. *0300CLO2*

Date

D.N.R. USE ONLY

SEND TO:

Department of Environmental Protection
Bureau of Survey and Mapping
3900 Commonwealth Boulevard
Mail Station 105
Tallahassee, Florida 32399