

4123J05

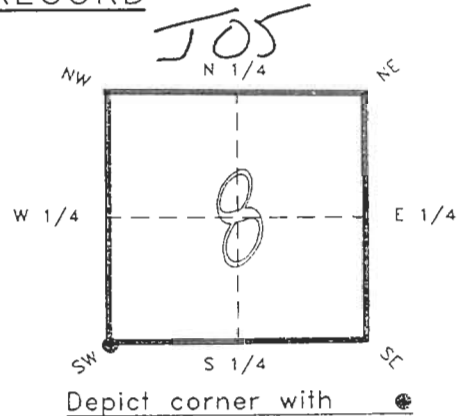
DOC. #

050976

FLORIDA DEPARTMENT OF ENVIRONMENTAL PROTECTION
CERTIFIED CORNER RECORD

CORNER DESCRIPTION:

S.W. corner of Section 8 ,
Twp 41 S. , Rge 23 E. ,
Tallahassee Base Meridian,
CHARLOTTE County(s), Florida.



MONUMENTATION DESCRIPTION:

Describe original monument and accessories, or subsequent restoration. Give sources of information. (If no attempt was made to search for the original monument and accessories, this information is not necessary.)

Description of corner evidence found:

L. WOOD POST 1.5' BELOW SURFACE WITH IRON PIN DRIVEN IN TOP. POURED CONC. MONUMENT ON TOP IN WELL.

State method(s) to determine corner location (lost corners only):

HORIZONTAL POSITION INFORMATION (if determined):

Latitude 26°55'01.55719"N Longitude 82°02'21.97736"W
Y(Northing) 286219.558 m X(Easting) 196082.934 m Zone FLW
Convergence -0°01'04.273" Scale factor 0.99994137

Coordinate determination (circle one): Field traverse GPS
Horizontal datum (circle one): NAD27 NAD83(1986) NAD83(1990) other (explain)

Order of accuracy as defined in "Standards and Specifications for Geodetic Control Networks" published by the Federal Geodetic Control Committee (circle one):

1st, 2nd, 3rd, class 1 ,

or Minimum Technical Standards (Chapter 21HH-6, F.A.C.) ratio of closure for field data (example 1:10,000), _____ . This does not specify an order of accuracy.

Control point(s) used for survey: *CHARLOTTE COUNTY HORIZONTAL CONTROL NETWORK INCLUDES HAVOLINE 2, PLACIDA 2, W260, PUNTAPORT, & FLGPS 58 AS B ORDER STATIONS.*

Comments:

RECEIVED

JAN 31 1995

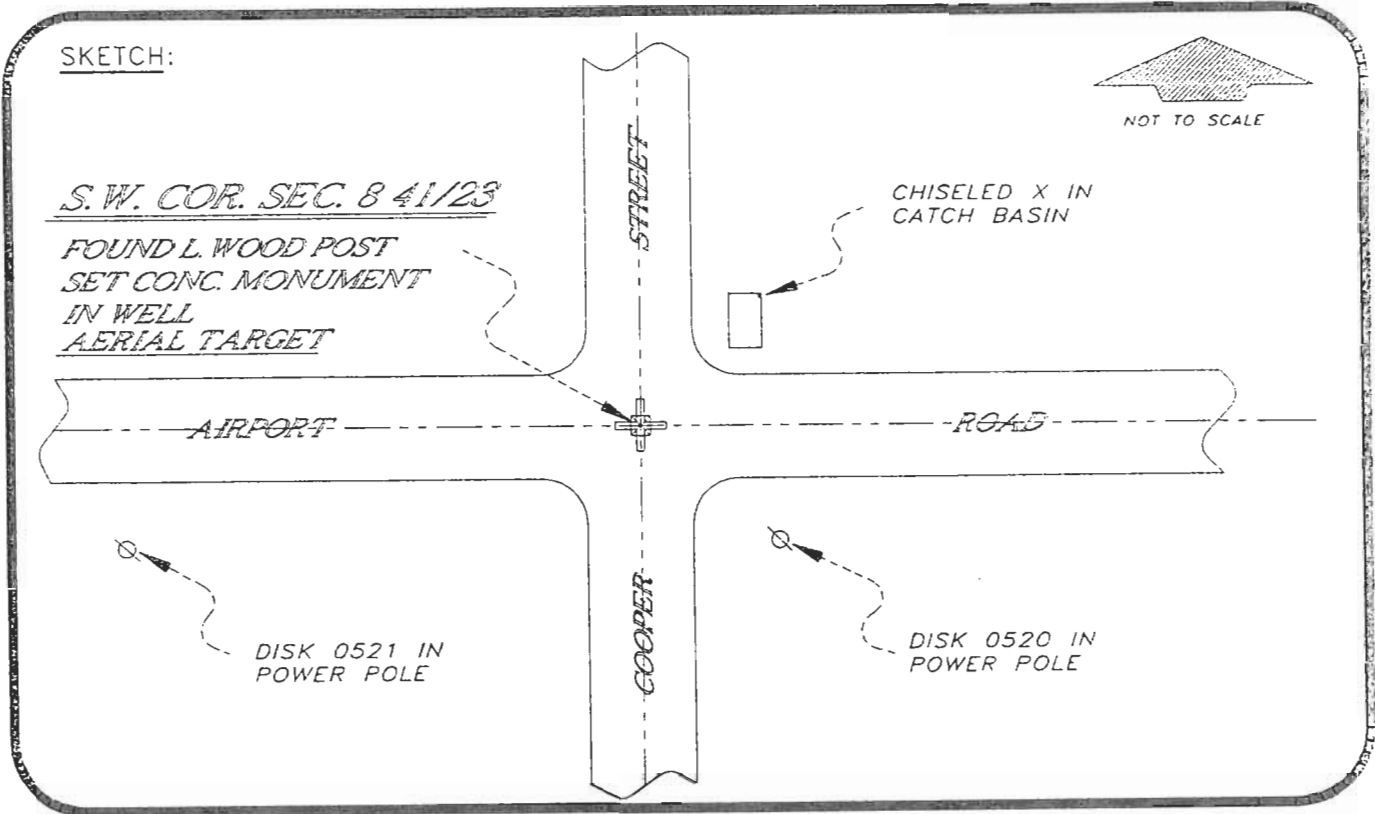
SURVEY & MAPPING

4123J05

DOC. #

050976

SKETCH:



BASIS OF BEARING SOLAR OBSERVATION

REFER: FB 283/82

REFERENCE MEASUREMENTS

| Description | Bearing | Distance |
|-------------------------|---------------|----------|
| DISK 0520 IN POWER POLE | S 50°51'54" E | 36.31' |
| DISK 0521 IN POWER POLE | S 79°38'58" W | 132.60' |
| X IN CONC. CATCH BASIN | N 43°29'17" E | 31.03' |

SURVEYORS CERTIFICATE: I certify the monument and accessories indicated above were field located on OCTOBER 21, 19 93.

R. P. Ross

PLS 4260

UPDATED 1/26/95

SIGNATURE

1/30/95

DATE

CHARLOTTE COUNTY SURVEY DEPT.

FIRM OR AGENCY

7000 FLORIDA STREET

ADDRESS

PUNTA GORDA,

CITY

FLA.

STATE

33950



509

Completeness checked by: *B. Britton*

Accepted and filed: *3-1-95*

Date

B.L.M. - I.D. 18070817

D.N.R. USE ONLY

SEND TO:

Department of Environmental Protection
Bureau of Survey and Mapping
3900 Commonwealth Boulevard
Mail Station 105
Tallahassee, Florida 32399