

4123J11

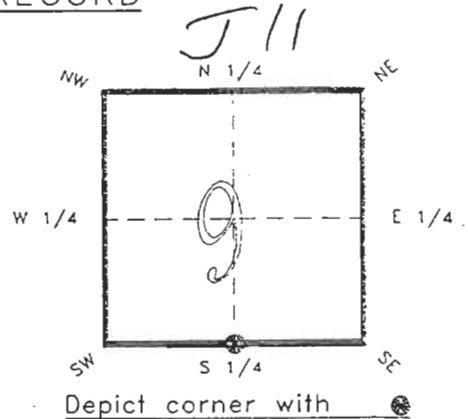
DOC. #

050980

FLORIDA DEPARTMENT OF ENVIRONMENTAL PROTECTION  
CERTIFIED CORNER RECORD

CORNER DESCRIPTION:

S. 1/4 corner of Section 9 ,  
Twp 41 S , Rge 23 E. ,  
Tallahassee Base Meridian,  
CHARLOTTE County(s), Florida.



MONUMENTATION DESCRIPTION:

Describe original monument and accessories, or subsequent restoration. Give sources of information. (If no attempt was made to search for the original monument and accessories, this information is not necessary.)

Description of corner evidence found:  
80d SPIKE WITH WASHER #3760

RECEIVED

JAN 31 1995

State method(s) to determine corner location (lost corners only):

SURVEY & MAPPING

HORIZONTAL POSITION INFORMATION ( if determined ):

Latitude 26°55'02.56829" N Longitude 82°00'51.55878" W

Y(Northing) 286250.146 m X(Easting) 198577.529 m Zone FLW

Convergence -0°00'23.341" Scale factor 0.99994120

Coordinate determination (circle one): Field traverse   GPS

Horizontal datum (circle one): NAD27 NAD83(1986)  NAD83(1990) other (explain)

Order of accuracy as defined in "Standards and Specifications for Geodetic Control Networks" published by the Federal Geodetic Control Committee (circle one):  
1st,  2nd,  3rd, class 1 ,

or Minimum Technical Standards (Chapter 21HH-6, F.A.C.) ratio of closure for field data (example 1:10,000), \_\_\_\_\_ . This does not specify an order of accuracy.

Control point(s) used for survey: CHARLOTTE COUNTY HORIZONTAL CONTROL NETWORK INCLUDES HAVOLINE 2, PLACIDA 2, W260, PUNTAPOINT, & FLGPS 58 AS B ORDER STATIONS.

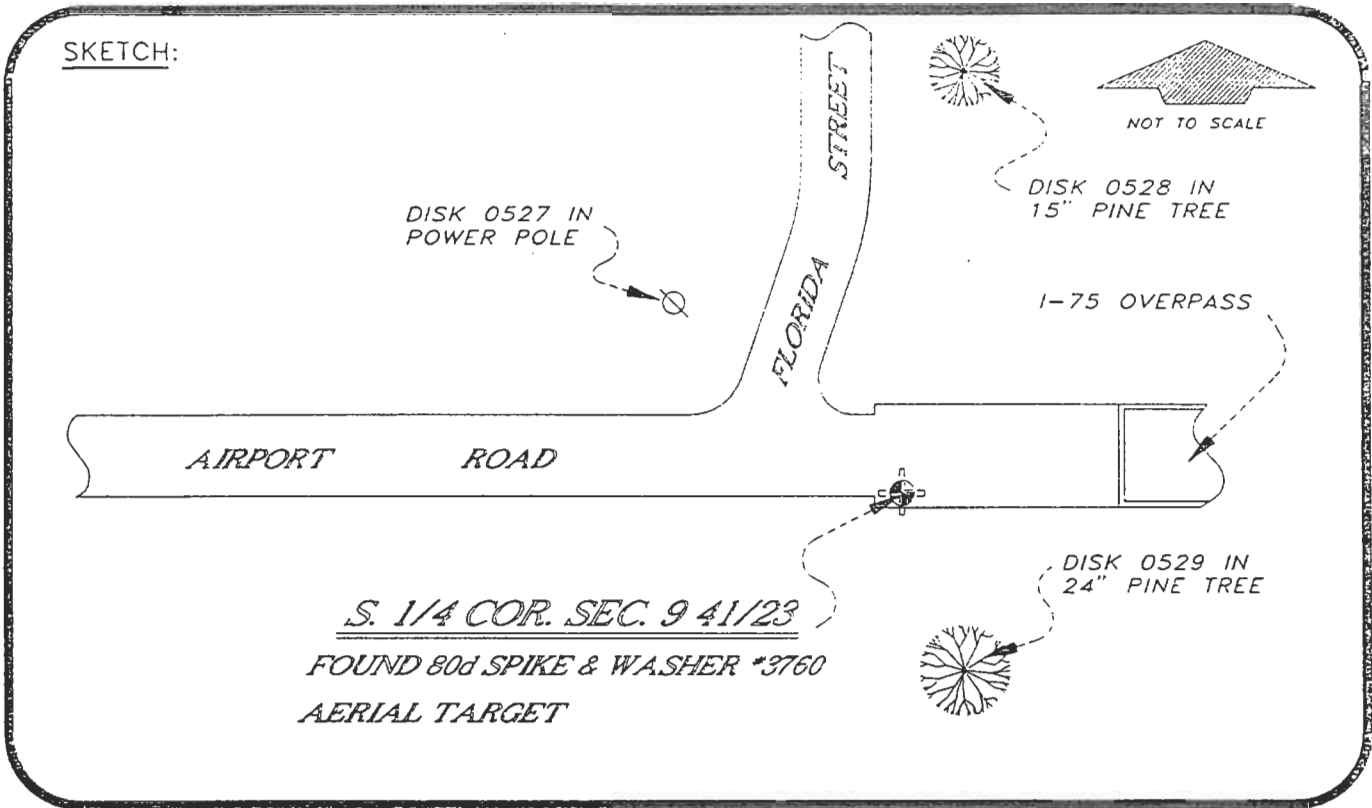
Comments:

050980

4123111

DOC. #

SKETCH:



BASIS OF BEARING SOLAR OBSERVATION

REFER: FB 283/86

REFERENCE MEASUREMENTS

Description	Bearing	Distance
DISK 0527 IN POWER POLE	N 49°57'46" W	104.37'
DISK 0528 IN 15" PINE TREE	N 04°41'23" E	165.21'
DISK 0529 IN 24" PINE TREE	S 13°37'15" E	62.19'

SURVEYORS CERTIFICATE: I certify the monument and accessories indicated above were field located on OCTOBER 25, 19 93.

*R. Rose*

PLS 4260

UPDATED 1/26/95

SIGNATURE

1/30/95

DATE

CHARLOTTE COUNTY SURVEY DEPT.

FIRM OR AGENCY

7000 FLORIDA STREET

ADDRESS

PUNTA GORDA, FLA. 33950

CITY

STATE

509



Completeness checked by: *B. Benton*  
 Accepted and filed: *3-17-95*  
 B.L.M. - I.D. 16CL0009 Date  
 D.N.R. USE ONLY

SEND TO:

Department of Environmental Protection  
Bureau of Survey and Mapping  
3900 Commonwealth Boulevard  
Mail Station 105  
Tallahassee, Florida 32399