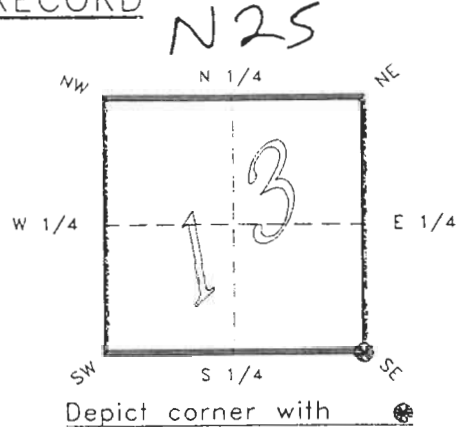


4123N25

FLORIDA DEPARTMENT OF ENVIRONMENTAL PROTECTION
CERTIFIED CORNER RECORD

CORNER DESCRIPTION:

S.E. corner of Section 13 ,
Twp 41 S. , Rge 23 E. ,
Tallahassee Base Meridian,
CHARLOTTE County(s), Florida.



MONUMENTATION DESCRIPTION:

Describe original monument and accessories, or subsequent restoration. Give sources of information. (If no attempt was made to search for the original monument and accessories, this information is not necessary.)

CONCRETE MONUMENT

Description of corner evidence found:

State method(s) to determine corner location (lost corners only):

HORIZONTAL POSITION INFORMATION (if determined):

Latitude 26°54'08.05076"N Longitude 81°57'26.01035"W
Y(Northing) 284572.922 m X(Easting) 204249.034 m Zone FLW
Convergence 0°01'09.676" Scale factor 0.99994140

Coordinate determination (circle one): Field traverse GPS

Horizontal datum (circle one): NAD27 NAD83(1986) NAD83(1990) other (explain)

Order of accuracy as defined in "Standards and Specifications for Geodetic Control Networks" published by the Federal Geodetic Control Committee (circle one):
1st, 2nd, 3rd, class 1 ,

or Minimum Technical Standards (Chapter 21HH-6, F.A.C.) ratio of closure for field data (example 1:10,000), _____ . This does not specify an order of accuracy.

Control point(s) used for survey: CHARLOTTE COUNTY HORIZONTAL CONTROL NETWORK INCLUDES HAVOLINE 2, PLACIDA 2, W260, PUNTPORT, & FLGPS 5B AS B ORDER STATIONS.

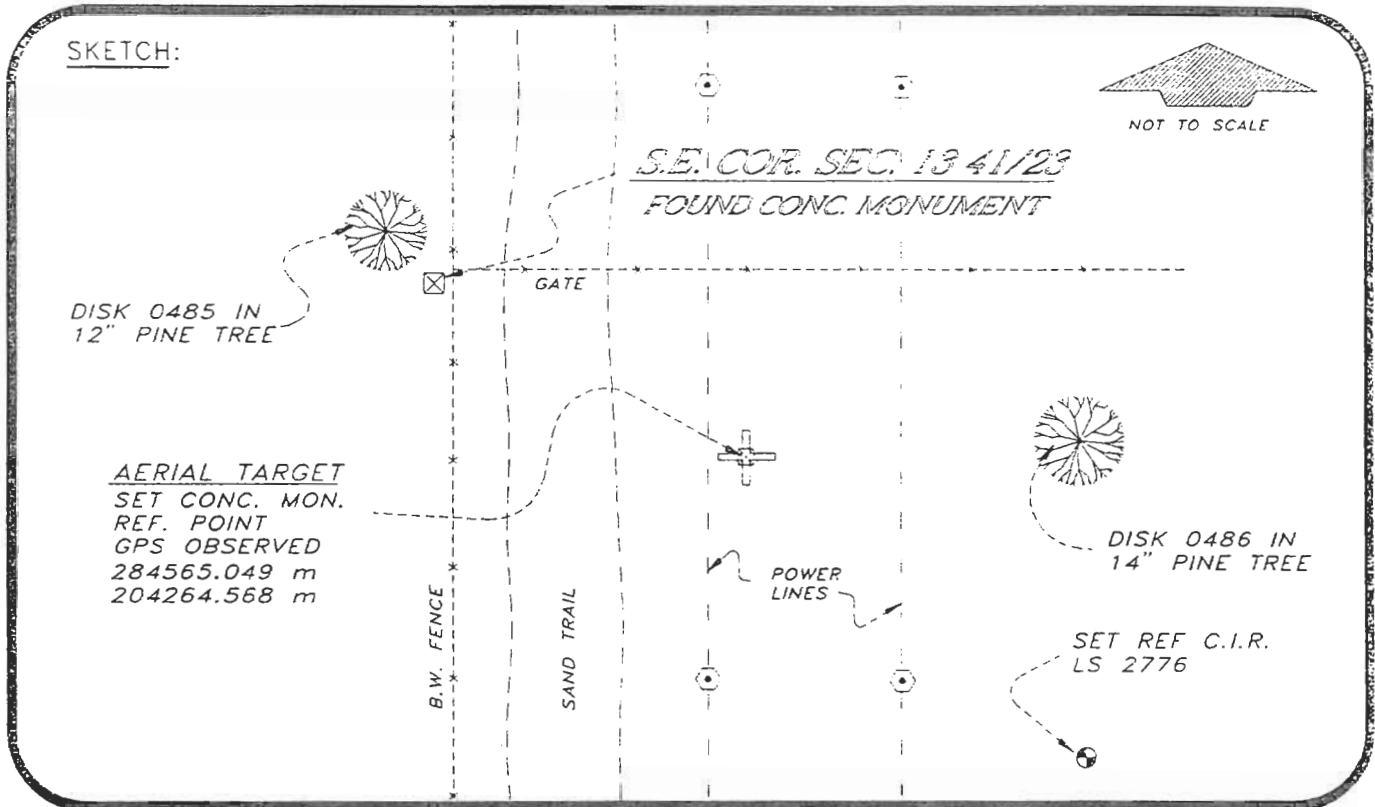
Comments:

FEB 20 1995

4123N25

050986

DOC. #



BASIS OF BEARING SOLAR OBSERVATION REFER: FB 314/36

REFERENCE MEASUREMENTS

Description	Bearing	Distance
REF. C.I.R. LS 2776	S 48°04'18" E	133.38'
DISK 0485 IN 12" PINE	N 79°04'31" W	8.63'
DISK 0486 IN 14" PINE	S 74°17'33" E	107.37'
REF. SET CONC. MON. (GPS OBSERVED)	S 63°06'10" E (S 63°07'20" E GRID)	57.14'

SURVEYORS CERTIFICATE: I certify the monument and accessories indicated above were field located on MAY 10, 1993.

R. Rose
SIGNATURE

PLS 4260

UPDATED 2/13/95

2-15-95
DATE

CHARLOTTE COUNTY SURVEY DEPT.

FIRM OR AGENCY

7000 FLORIDA STREET

ADDRESS

PUNTA GORDA,

CITY

FLA.

STATE

33950

508



Completeness checked by: *R. Rose*

Accepted and filed: 3-1-95 Date

B.L.M. - I.D. 24131819 D.N.R. USE ONLY

SEND TO:

Department of Environmental Protection
Bureau of Survey and Mapping
3900 Commonwealth Boulevard
Mail Station 105
Tallahassee, Florida 32399