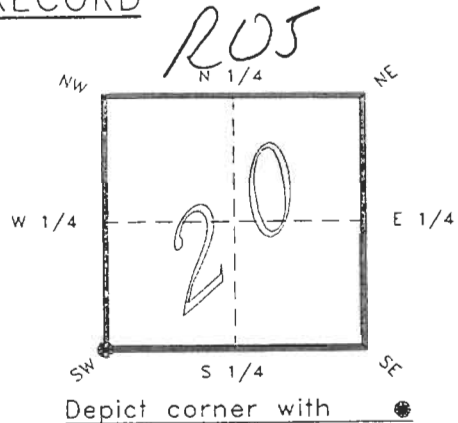


4123R05

FLORIDA DEPARTMENT OF ENVIRONMENTAL PROTECTION  
CERTIFIED CORNER RECORD

CORNER DESCRIPTION:

S.W. corner of Section 20 ,  
Twp 41 S. , Rge 23 E. ,  
Tallahassee Base Meridian,  
CHARLOTTE County(s), Florida.



MONUMENTATION DESCRIPTION:

Describe original monument and accessories, or subsequent restoration. Give sources of information. (If no attempt was made to search for the original monument and accessories, this information is not necessary.)

Description of corner evidence found:

*SET CONCRETE MONUMENT BY SINGLE PROPORTION FROM  
SUBDIVISION PLAT DATA AND EXISTING SUBDIVISION CORNERS.*

State method(s) to determine corner location (lost corners only):

RECEIVED  
JAN 31 1995  
SURVEY & MAPPING

HORIZONTAL POSITION INFORMATION ( if determined ):

Latitude 26°53'17.23410"N Longitude 82°02'22.68317"W  
Y(Northing) 283008.862 m X(Easting) 196062.456 m Zone FLW  
Convergence -0°01'04.528" Scale factor 0.99994137

Coordinate determination (circle one): Field traverse GPS

Horizontal datum (circle one): NAD27 NAD83(1986) NAD83(1990) other (explain)

Order of accuracy as defined in "Standards and Specifications for Geodetic Control Networks" published by the Federal Geodetic Control Committee (circle one):  
1st, 2nd, 3rd, class 1 ,

or Minimum Technical Standards (Chapter 21HH-6, F.A.C.) ratio of closure for field data (example 1:10,000), \_\_\_\_\_ . This does not specify an order of accuracy.

Control point(s) used for survey: *CHARLOTTE COUNTY HORIZONTAL CONTROL NETWORK INCLUDES HAVOLINE 2, PLACIDA 2, W260, PUNTAPOINT, & FLGPS 58 AS B ORDER STATIONS.*

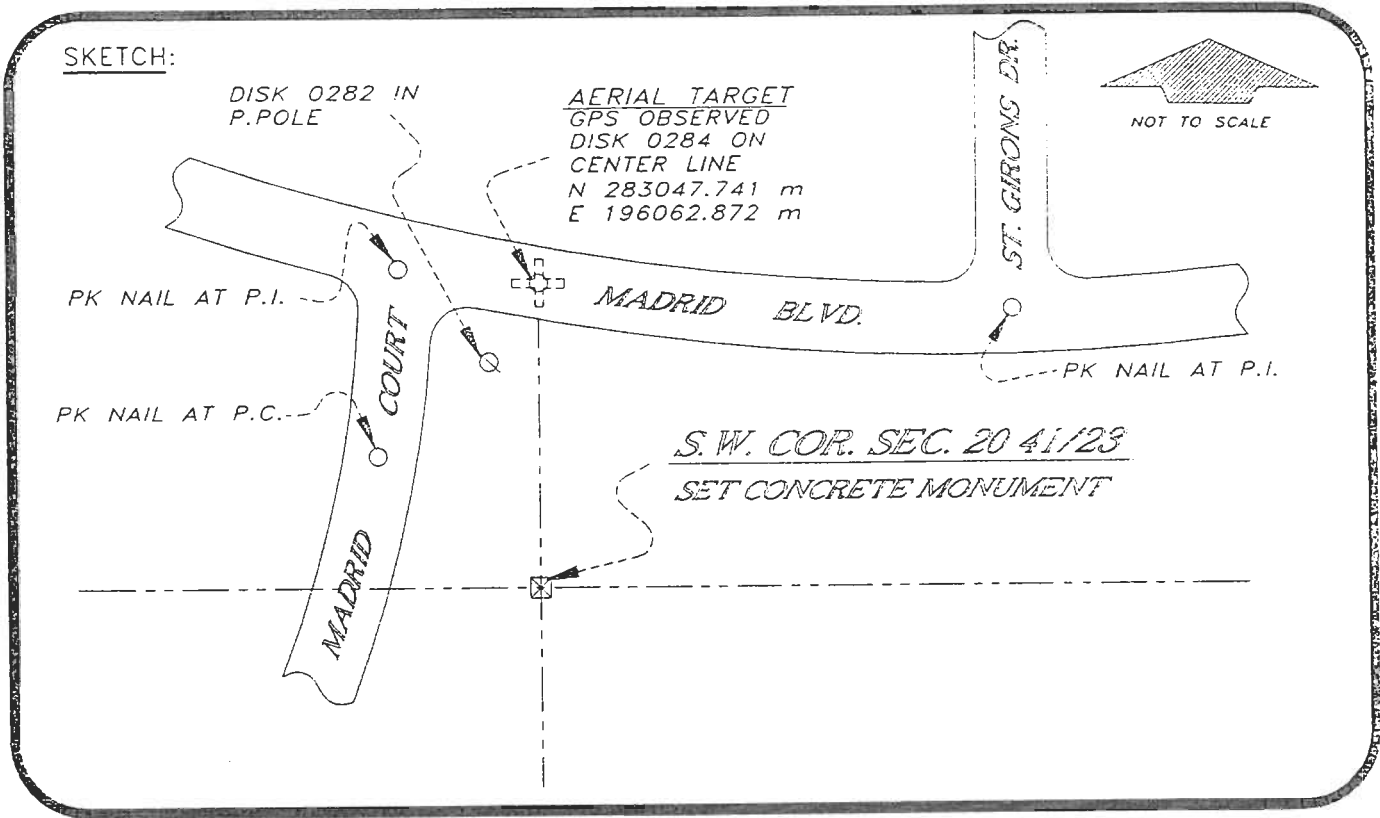
Comments:

050994

4123R05

DOC. #

SKETCH:



BASIS OF BEARING SOLAR OBSERVATION

REFER: FB 298/47

REFERENCE MEASUREMENTS

Description	Bearing	Distance
PK NAIL AT P.I.	N 57°21'23" E	206.53'
PK NAIL AT P.I.	N 13°13'36" W	138.14'
PK NAIL AT P.C.	N 47°51'36" W	69.79'
DISK 0282 IN P. POLE	N 05°11'36" W	82.60'
DISK 0284 ON C/L ROAD	N 00°35'41" E	127.57'
	(N 00°36'46" E GRID)	

SURVEYORS CERTIFICATE: I certify the monument and accessories indicated above were field located on OCTOBER 12, 19 93.

*R. P. Ross*  
SIGNATURE

PLS 4260

UPDATED 1/23/95

1/30/95  
DATE

CHARLOTTE COUNTY SURVEY DEPT.

FIRM OR AGENCY

7000 FLORIDA STREET

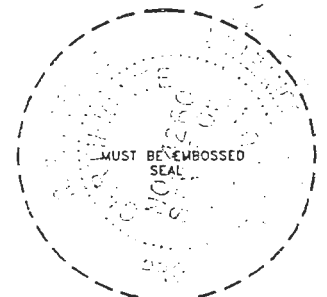
ADDRESS

PUNTA GORDA,  
CITY

FLA.,  
STATE

33950

509



Completeness checked by: B. Smith  
 Accepted and filed: 3-1-95 Date  
 B.L.M. - I.D. 30192079 D.N.R. USE ONLY

SEND TO:

Department of Environmental Protection  
Bureau of Survey and Mapping  
3900 Commonwealth Boulevard  
Mail Station 105  
Tallahassee, Florida 32399