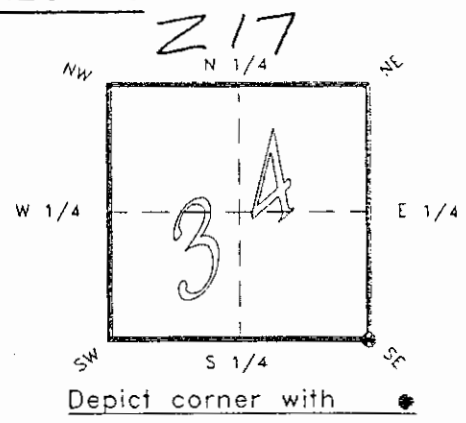


4123Z17

FLORIDA DEPARTMENT OF NATURAL RESOURCES
CERTIFIED CORNER RECORD

CORNER DESCRIPTION:

S. E. corner of Section 34 ,
Twp 41 S. , Rge 23 E. ,
Tallahassee Base Meridian,
CHARLOTTE County(s), Florida.

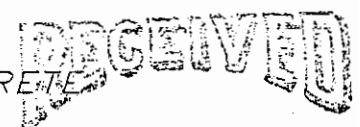


MONUMENTATION DESCRIPTION:

Describe original monument and accessories, or subsequent restoration. Give sources of information. (If no attempt was made to search for the original monument and accessories, this information is not necessary.)

Description of corner evidence found:

ANGLE IRON BED RAIL REPLACED WITH CONCRETE MONUMENT.



State method(s) to determine corner location (lost corners only): JAN 31 1995

SURVEY & MAPPING

HORIZONTAL POSITION INFORMATION (if determined):

Latitude 26°51'30.46176" N Longitude 81°59'26.51956" W
Y(Northing) 279722.212m X(Easting) 200924.181 m Zone FLW
Convergence 0°00'15.126" Scale factor 0.99994119

Coordinate determination (circle one): Field traverse GPS
Horizontal datum (circle one): NAD27 NAD83(1986) NAD83(1990) other (explain)

Order of accuracy as defined in "Standards and Specifications for Geodetic Control Networks" published by the Federal Geodetic Control Committee (circle one):
1st, 2nd, 3rd, class 1

or Minimum Technical Standards (Chapter 21HH-6, F.A.C.) ratio of closure for field data (example 1:10,000), _____ . This does not specify an order of accuracy.

Control point(s) used for survey:

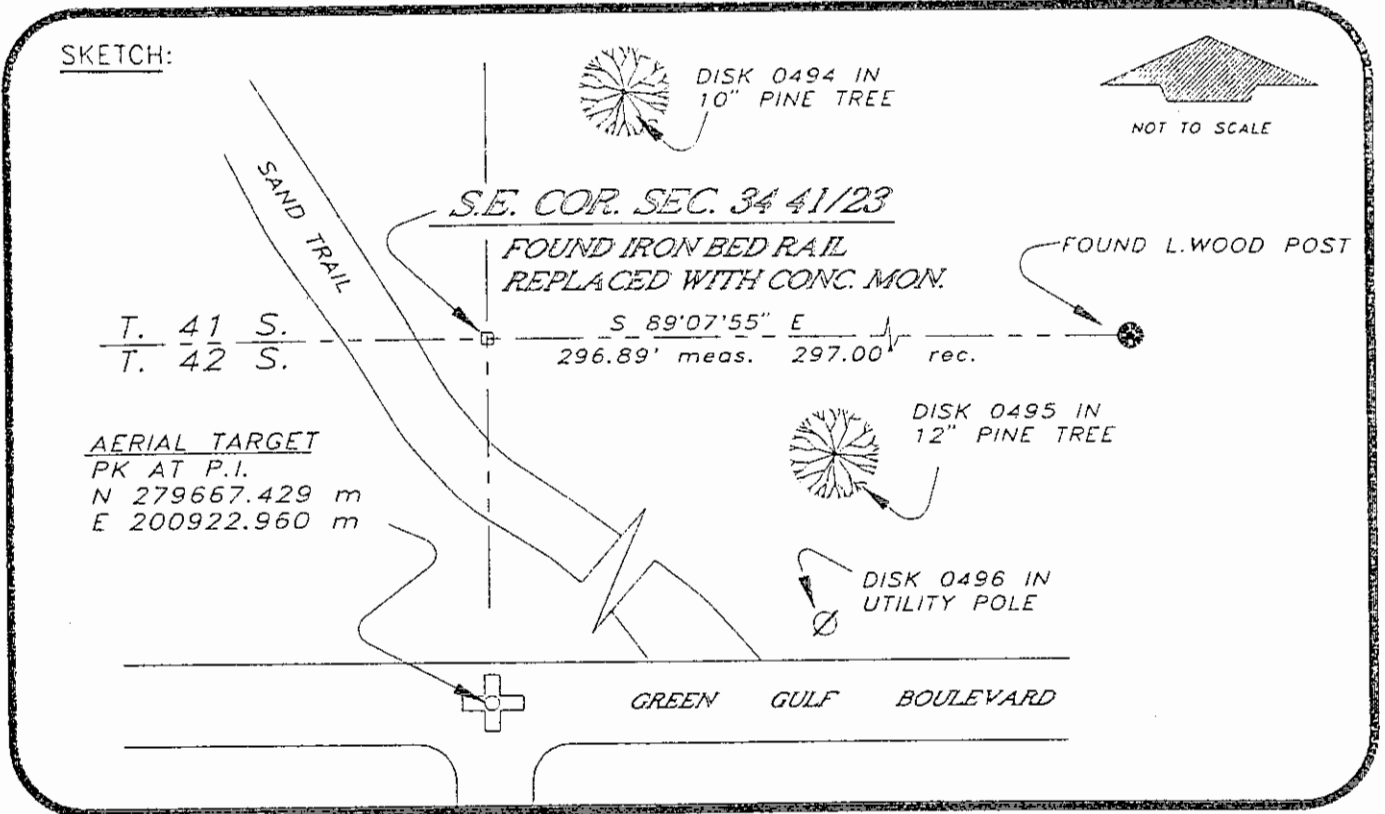
Comments:

4123Z17

DOC. #

051012

SKETCH:



BASIS OF BEARING SOLAR OBSERVATION REFER FB 283/28
 All bearings and distances must be from the corner to the witness. Indicate whether corner was found, set, or replaced and show north arrow.

SET SURVEY MARKER POST 3' E'LY
REFERENCE MEASUREMENTS (at least three vicinity references must be given below even if they appear on the above sketch):

Description	Bearing	Distance
DISK 0496 IN UTILITY POLE	S 43°59'53" E	202.92'
DISK 0494 IN 10" PINE	N 20°24'15" E	62.17'
DISK 0495 IN 12" PINE	S 68°46'33" E	53.37'
AERIAL TARGET	S 01°16'53" W	179.79'

SURVEYORS CERTIFICATE: I certify the monument and accessories indicated above were field located on JUNE 18, 19 93.

UPDATED 1/26/95

[Signature] PLS 4260

SIGNATURE
1/30/95
 DATE

CHARLOTTE COUNTY SURVEY DEPT.

FIRM OR AGENCY
7000 FLORIDA STREET

ADDRESS
PUNTA GORDA, FLA. 33950

CITY STATE

472



Completeness checked by: B. Bent.
 Accepted and filed: 3-1-95 Date
 B.L.M. - I.D. 00343500 D.N.R. USE ONLY

SEND TO:

Department of Natural Resources
 Bureau of Survey and Mapping
 3900 Commonwealth Boulevard
 Mail Station 105
 Tallahassee, Florida 32399

DNR 53-001(16)
 REV. 7/16/92
 PAGE 2 OF 2