

4221E09

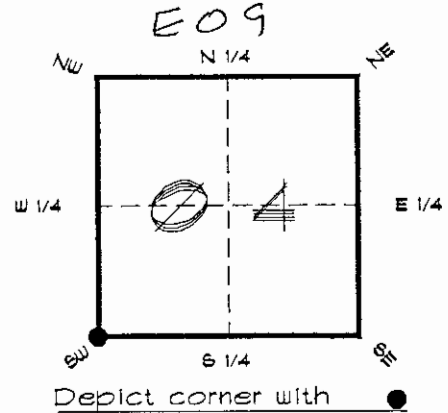
DOC. #

059842

FLORIDA DEPARTMENT OF ENVIRONMENTAL PROTECTION CERTIFIED CORNER RECORD

CORNER DESCRIPTION:

S. W. corner of Section 4 ,
Twp 42 S. , Rge 21 E. ,
Tallahassee Base Meridian,
CHARLOTTE County(s), Florida.



MONUMENTATION DESCRIPTION:

Describe original monument and accessories, or subsequent restoration. Give sources of information. (If no attempt was made to search for the original monument and accessories, this information is not necessary.)

Description of corner evidence found:

CONCRETE MONUMENT RLS 3216

State method(s) to determine corner location (lost corners only):

HORIZONTAL POSITION INFORMATION (if determined):

Latitude 26°50'33.67340" N Longitude 82°13'23.47725" W

Y(Northing) 277993.952 m X(Easting) 177818.016 m Zone FL. W.

Convergence -0°06'02.806" Scale factor 0.99994725

Coordinate determination (circle one): Field traverse GPS

Horizontal datum (circle one): NAD27 NAD83(1986) NAD83(1990) other (explain)

Order of accuracy as defined in "Standards and Specifications for Geodetic Control Networks" published by the Federal Geodetic Control Committee (circle one):
1st, 2nd, 3rd, class _____

or Minimum Technical Standards (Chapter 21HH-6, F.A.C.) ratio of closure for field data (example 1:10,000), _____ . This does not specify an order of accuracy.

Control point(s) used for survey: **CHARLOTTE COUNTY HORIZONTAL CONTROL NETWORK INCLUDES HAYOLINE 2, FLACIDA 2, W260, FUNTPORT, & FLGPS 58 AS B ORDER STATIONS.**

Comments:

RECEIVED

JUN 30 1999

SURVEY & MAPPING

11/08/96

059842

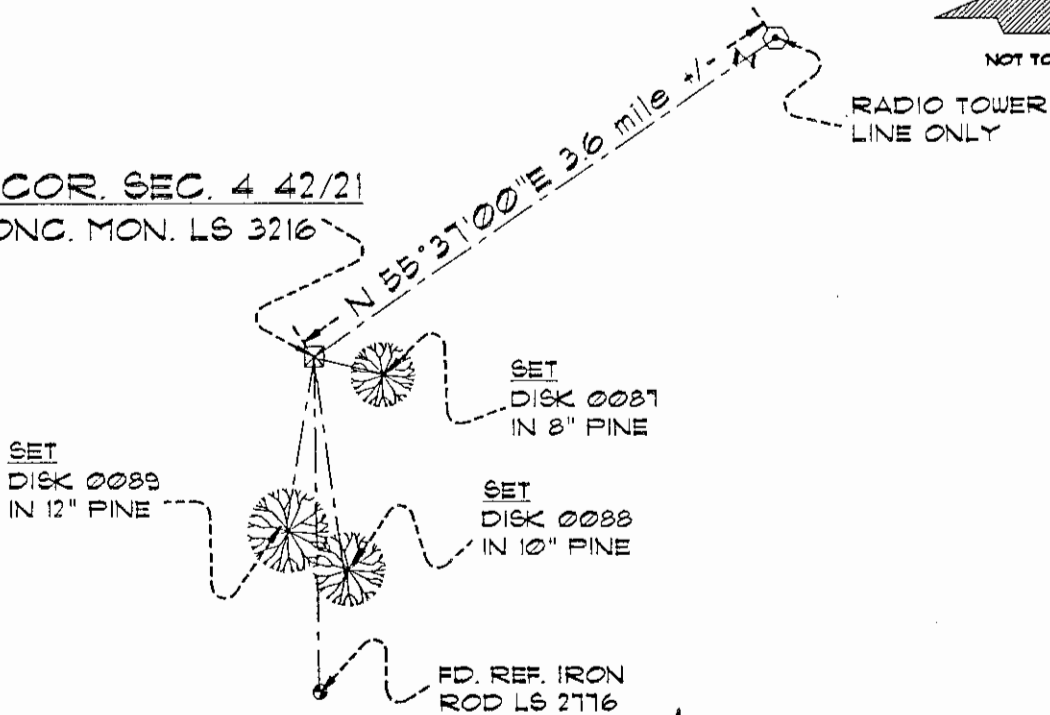
4221E09

DOC. #

SKETCH:



S. W. COR. SEC. 4 42/21
FD. CONC. MON. LS 3216



BASIS OF BEARING SOLAR OBSERVATION REFER: FB 280/08
SET SURVEY MARKER POST 3.0' N'LY

REFERENCE MEASUREMENTS

<u>Description</u>	<u>Bearing</u>	<u>Distance</u>
DISK 0087 IN 8" PINE	S 77°39'02" E	37.53'
DISK 0088 IN 10" PINE	S 08°07'35" E	116.38'
FD. REF. IRON ROD LS 2776	S 00°40'05" E	177.54'
DISK 0089 IN 12" PINE	S 09°43'35" W	92.43'

SURVEYORS CERTIFICATE: I certify the monument and accessories indicated above were field located on 11/08/96

R. Rose

FLS 4260

SIGNATURE

11/13/96

DATE

CHARLOTTE COUNTY SURVEY DEPT.

FIRM OR AGENCY

1000 FLORIDA STREET

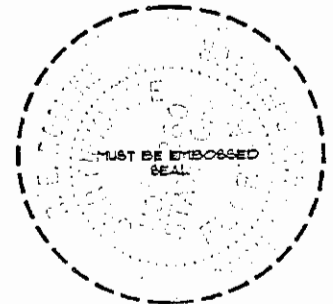
ADDRESS

PUNTA GORDA, FLA. 33950

CITY

STATE

474
PUNTA
GORDA
SW



Completeness checked by: *R. Rose*
 Accepted and filed: 7-1-97 Date
 BLM. - I.D. 08050409 D.E.P. USE ONLY

SEND TO:

Department of Environmental Protection
Bureau of Survey and Mapping
3300 Commonwealth Boulevard
Mail Station 105
Tallahassee, Florida 3