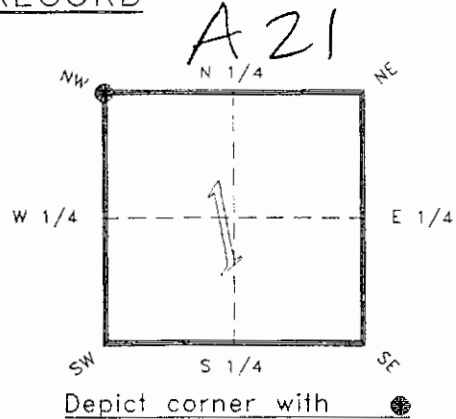


4223A21

FLORIDA DEPARTMENT OF ENVIRONMENTAL PROTECTION
CERTIFIED CORNER RECORD

CORNER DESCRIPTION:

N.W. corner of Section 1 ,
Twp 42 S. , Rge 23 E. ,
Tallahassee Base Meridian,
CHARLOTTE County(s), Florida.



MONUMENTATION DESCRIPTION:

Describe original monument and accessories, or subsequent restoration. Give sources of information. (If no attempt was made to search for the original monument and accessories, this information is not necessary.)

Description of corner evidence found:

PK NAIL & DISK CHAR. ENG. 2904

State method(s) to determine corner location (lost corners only):

RECEIVED

JAN 31 1995

SURVEY & MAPPING

HORIZONTAL POSITION INFORMATION (if determined):

Latitude 26°51'29.62626" N Longitude 81°58'23.76517" W
Y(Northing) 279696.745 m X(Easting) 202656.435 m Zone FLW
Convergence 0°00'43.477" Scale factor 0.99994126

Coordinate determination (circle one): Field traverse GPS

Horizontal datum (circle one): NAD27 NAD83(1986) NAD83(1990) other (explain)

Order of accuracy as defined in "Standards and Specifications for Geodetic Control Networks" published by the Federal Geodetic Control Committee (circle one):
1st, 2nd, 3rd, class 1 ,

or Minimum Technical Standards (Chapter 21HH-6, F.A.C.) ratio of closure for field data (example 1:10,000), _____ . This does not specify an order of accuracy.

Control point(s) used for survey: *CHARLOTTE COUNTY HORIZONTAL CONTROL NETWORK INCLUDES HAVOLINE 2, PLACIDA 2, W260, PUNTPORT, & FLGPS 5B AS B ORDER STATIONS.*

Comments:

4223A21

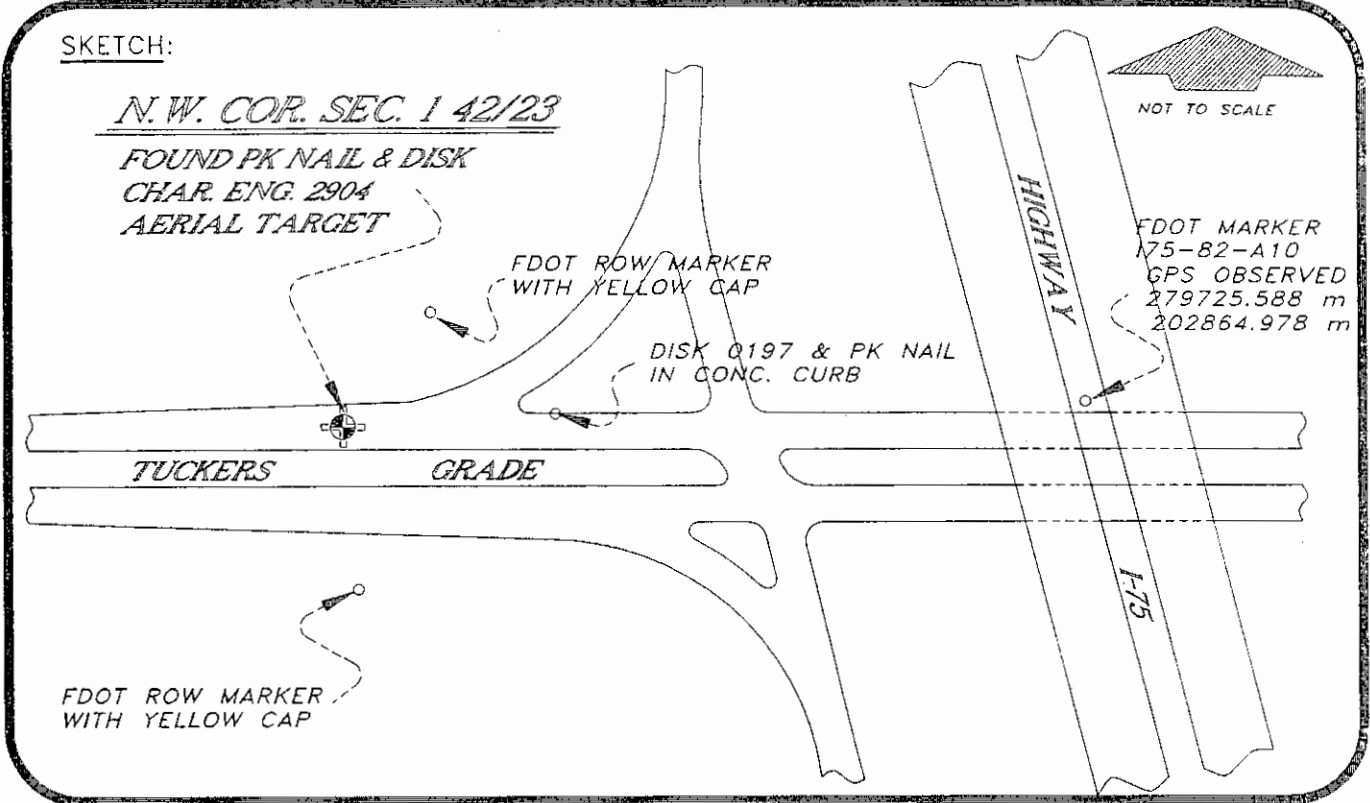
DOC. #

051014

SKETCH:

N.W. COR. SEC. 1 42/23

FOUND PK NAIL & DISK
CHAR. ENG. 2904
AERIAL TARGET



BASIS OF BEARING SOLAR OBSERVATION

REFER: FB 285/04

REFERENCE MEASUREMENTS

| Description | Bearing | Distance |
|------------------------|---------------|----------|
| FDOT ROW MARKER | S 02°01'44" E | 122.94' |
| FDOT ROW MARKER | N 25°04'12" E | 158.04' |
| DISK 0197 IN CURB | N 85°25'26" E | 171.20' |
| FDOT MARKER 175-82-A10 | N 82°08'05" E | 690.74' |

SURVEYORS CERTIFICATE: I certify the monument and accessories indicated above were field located on JULY 7, 19 92.

R. P. Ross

PLS 4260

UPDATED 1/24/95

SIGNATURE

1/30/95

DATE

CHARLOTTE COUNTY SURVEY DEPT.

FIRM OR AGENCY

7000 FLORIDA STREET

ADDRESS

PUNTA GORDA, FLA. 33950

CITY

STATE

472



Completeness checked by: *R. P. Ross*

Accepted and filed: 3-1-98

Date

B.L.M. - I.D. 02008061

D.N.R. USE ONLY

SEND TO:

Department of Environmental Protection
Bureau of Survey and Mapping
3900 Commonwealth Boulevard
Mail Station 105
Tallahassee, Florida 32399