

4223Z01

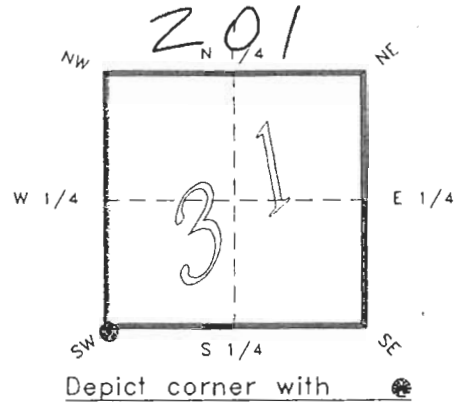
DOC. #

051046

FLORIDA DEPARTMENT OF ENVIRONMENTAL PROTECTION
CERTIFIED CORNER RECORD

CORNER DESCRIPTION:

S.W. corner of Section 31 ,
Twp 42 S. , Rge 23 E. ,
Tallahassee Base Meridian,
CHARLOTTE County(s), Florida.



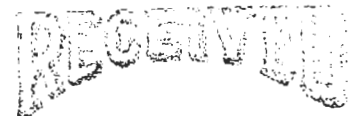
MONUMENTATION DESCRIPTION:

Describe original monument and accessories, or subsequent restoration. Give sources of information. (If no attempt was made to search for the original monument and accessories, this information is not necessary.)

Description of corner evidence found:

PK NAIL WITH DISK # 2022

State method(s) to determine corner location (lost corners only): **JAN 31 1993**



SURVEY & MAPPING

HORIZONTAL POSITION INFORMATION (if determined):

Latitude 26°46'13.73837" N Longitude 82°03'16.41478" W
Y(Northing) 269975.820 m X(Easting) 194574.055 m Zone FLW
Convergence -0°01'28.469" Scale factor 0.99994154

Coordinate determination (circle one): Field traverse GPS
Horizontal datum (circle one): NAD27 NAD83(1986) NAD83(1990) other (explain)

Order of accuracy as defined in "Standards and Specifications for Geodetic Control Networks" published by the Federal Geodetic Control Committee (circle one):
1st, 2nd, 3rd, class 1 ,

or Minimum Technical Standards (Chapter 21HH-6, F.A.C.) ratio of closure for field data (example 1:10,000), _____ . This does not specify an order of accuracy.

Control point(s) used for survey: *CHARLOTTE COUNTY HORIZONTAL CONTROL NETWORK INCLUDES HAVOLINE 2, PLACIDA 2, W260, PUNTPORT, & FLGPS 58 AS B ORDER STATIONS.*

Comments:

051046

4223201

DOC. #

SKETCH:



DISK 0287 IN POWER POLE

DISK 0285 IN POWER POLE

S 1/4 COR. SEC. 31
FOUND IRON PIN

VINCENT

AVENUE

DISK 0286 IN POWER POLE

S.W. COR. SEC. 31 42/23
FOUND PK & DISK 2022
AERIAL TARGET

BASIS OF BEARING SOLAR OBSERVATION

REFER: FB 285/07

REFERENCE MEASUREMENTS

Description	Bearing	Distance
DISK 0285 IN P. POLE	N 71°21'52" E	159.99'
DISK 0286 IN P. POLE	S 28°20'06" E	58.55'
DISK 0287 IN P. POLE	N 67°50'09" W	137.99'
S. 1/4 COR. SEC. 31	S 89°36'35" E	2658.58'

SURVEYORS CERTIFICATE: I certify the monument and accessories indicated above were field located on Sept. 7, 1993.

R. P. Rose
SIGNATURE

PLS 4260

UPDATED 1/24/95

1/30/95
DATE

CHARLOTTE COUNTY SURVEY DEPT.

FIRM OR AGENCY

7000 FLORIDA STREET

ADDRESS

PUNTA GORDA, FLA. 33950

CITY

STATE

473



Completeness checked by: R. Dent

Accepted and filed: 3-1-95

Date

B.L.M. - I.D. 01363106

D.N.R. USE ONLY

SEND TO:

Department of Environmental Protection
Bureau of Survey and Mapping
3900 Commonwealth Boulevard
Mail Station 105
Tallahassee, Florida 32399