

4223Z03

DOC. #

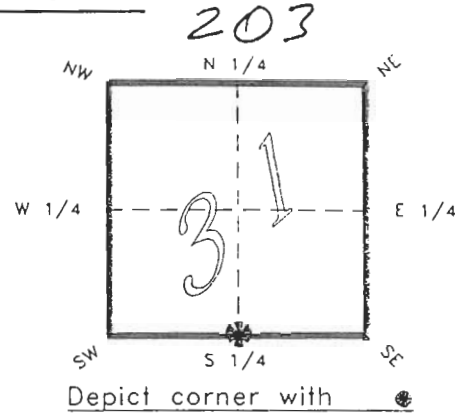
051047

FLORIDA DEPARTMENT OF NATURAL RESOURCES
CERTIFIED CORNER RECORD

CORNER DESCRIPTION:

S. 1/4 corner of Section 31 ,
Twp 42 S. , Rge 23 E. ,
Tallahassee Base Meridian,

CHARLOTTE County(s), Florida.
LEE

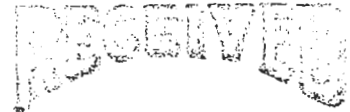


MONUMENTATION DESCRIPTION:

Describe original monument and accessories, or subsequent restoration. Give sources of information. (If no attempt was made to search for the original monument and accessories, this information is not necessary.)

Description of corner evidence found:

IRON PIN



JAN 31 1995

State method(s) to determine corner location (lost corners only):

SURVEY & MAPPING

HORIZONTAL POSITION INFORMATION (if determined):

Latitude 26°46'13.55813" N Longitude 82°02'47.08315" W
Y(Northing) 269969.951 m X(Easting) 195384.337 m Zone FLW
Convergence -0°01'15.257" Scale factor 0.99994144

Coordinate determination (circle one): Field traverse GPS

Horizontal datum (circle one): NAD27 NAD83(1986) NAD83(1990) other (explain)

Order of accuracy as defined in "Standards and Specifications for Geodetic Control Networks" published by the Federal Geodetic Control Committee (circle one):
1st, 2nd, 3rd, class 1 ,

or Minimum Technical Standards (Chapter 21HH-6, F.A.C.) ratio of closure for field data (example 1:10,000), _____ . This does not specify an order of accuracy.

Control point(s) used for survey: CHARLOTTE COUNTY HORIZONTAL CONTROL NETWORK INCLUDES HAVOLINE 2, PLACIDA 2, W260, PUNTAPORT, & FLGPS 58 AS B ORDER STATIONS.

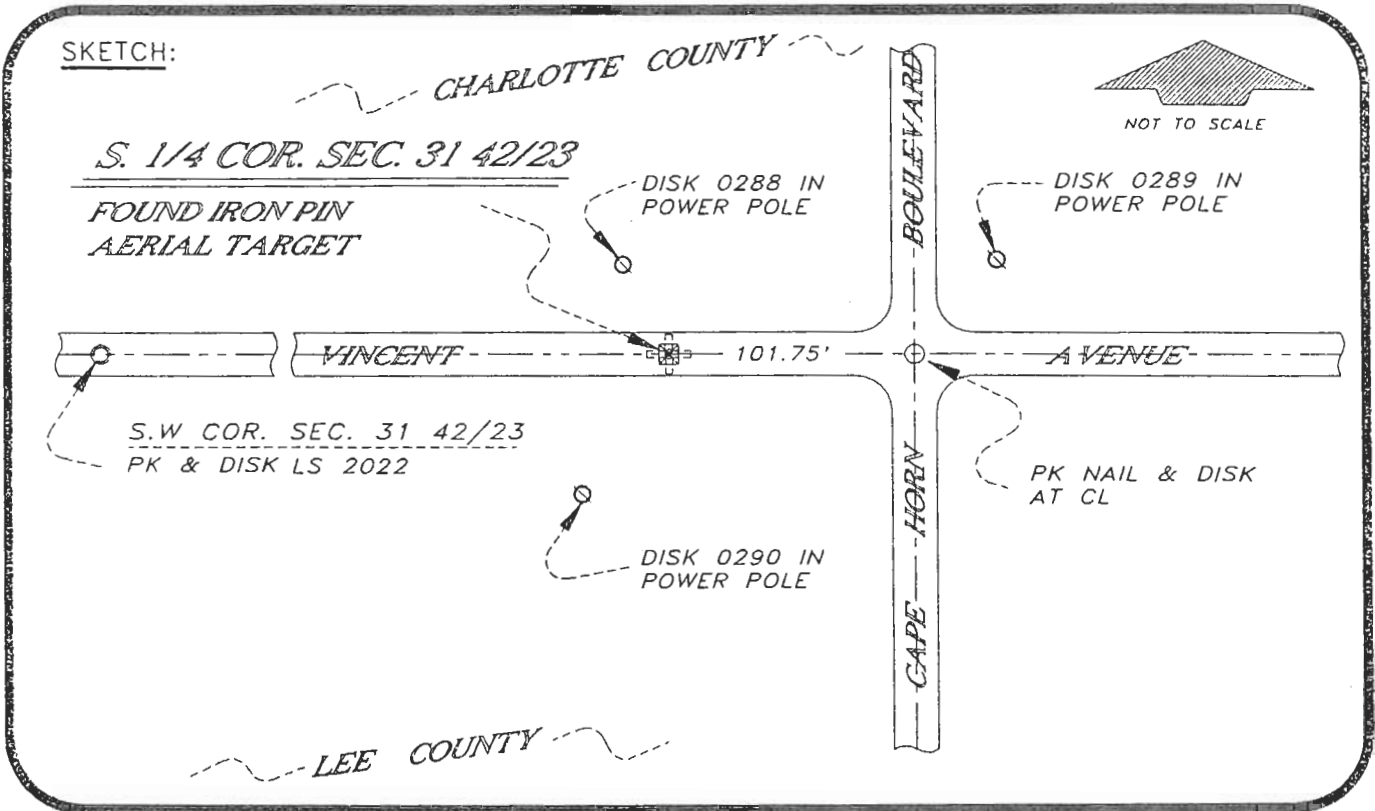
Comments:

4223Z03

DOC. #

051047

SKETCH:



BASIS OF BEARING SOLAR OBSERVATION

REFER FB 285/06

All bearings and distances must be from the corner to the witness. Indicate whether corner was found, set, or replaced and show north arrow.

REFERENCE MEASUREMENTS (at least three vicinity references must be given below even if they appear on the above sketch):

Description	Bearing	Distance
DISK 0288 IN POWER POLE	N 34°53'57" W	64.10'
DISK 0289 IN POWER POLE	N 71°30'48" E	162.51'
DISK 0290 IN POWER POLE	S 48°12'19" W	78.03'
PK & DISK LS 2022	N 89°36'35" W	2658.58'

SURVEYORS CERTIFICATE: I certify the monument and accessories indicated above were field located on SEPTEMBER 7, 19 93.

UPDATED 1/24/95

[Signature] PLS 4260

SIGNATURE

1/30/95

DATE

CHARLOTTE COUNTY SURVEY DEPT.

FIRM OR AGENCY

7000 FLORIDA STREET

ADDRESS

PUNTA GORDA,

CITY

FLA.

STATE

33950

473



SEND TO:

Department of Natural Resources
Bureau of Survey and Mapping
3900 Commonwealth Boulevard
Mail Station 105
Tallahassee, Florida 32399

DNR 53-001(16)
REV. 7/16/92
PAGE 2 OF 2

Completeness checked by: *[Signature]*
 Accepted and filed: 3-1-95 Date
 B.L.M. - I.D. 06CLO071 D.N.R. USE ONLY