

4223Z05

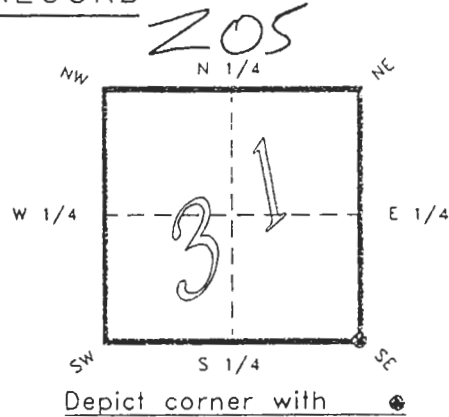
DOC. #

051048

FLORIDA DEPARTMENT OF NATURAL RESOURCES  
CERTIFIED CORNER RECORD

CORNER DESCRIPTION:

S.E. corner of Section 31,  
Twp 42 S., Rge 23 E.,  
Tallahassee Base Meridian,  
CHARLOTTE County(s), Florida.



MONUMENTATION DESCRIPTION:

Describe original monument and accessories, or subsequent restoration. Give sources of information. (If no attempt was made to search for the original monument and accessories, this information is not necessary.)

Description of corner evidence found:  
PK NAIL WITH DISK

RECEIVED

JAN 31 1995

State method(s) to determine corner location (lost corners only):

SURVEY & MAPPING

HORIZONTAL POSITION INFORMATION ( if determined ):

Latitude 26°46'13.38257" N Longitude 82°02'18.00166" W  
Y(Northing) 269964.281 m X(Easting) 196187.710 m Zone FLW  
Convergence -0°01'02.158" Scale factor 0.99994136

Coordinate determination (circle one): Field traverse GPS

Horizontal datum (circle one): NAD27 NAD83(1986) NAD83(1990) other (explain)

Order of accuracy as defined in "Standards and Specifications for Geodetic Control Networks" published by the Federal Geodetic Control Committee (circle one):  
1st, 2nd, 3rd, class 1,

or Minimum Technical Standards (Chapter 21HH-6, F.A.C.) ratio of closure for field data (example 1:10,000), \_\_\_\_\_ . This does not specify an order of accuracy.

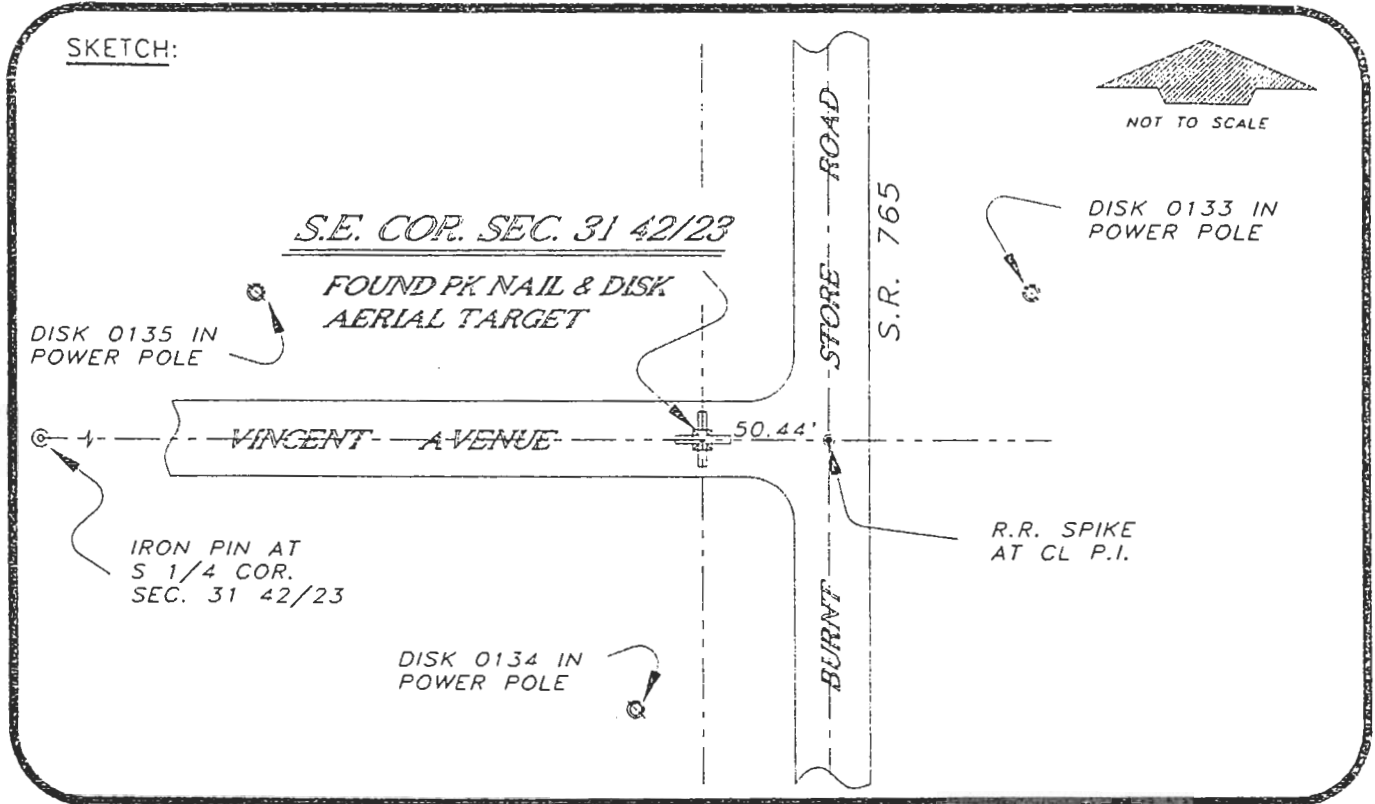
Control point(s) used for survey: CHARLOTTE COUNTY HORIZONTAL CONTROL NETWORK INCLUDES HAVOLINE 2, PLACIDA 2, W260, PUNTAPOINT, & FLGPS 58 AS B ORDER STATIONS.

Comments:

051048

4223Z05

DOC. #



BASIS OF BEARING SOLAR OBSERVATION REFER FB 285/09  
 All bearings and distances must be from the corner to the witness. Indicate whether corner was found, set, or replaced and show north arrow.

REFERENCE MEASUREMENTS ( at least three vicinity references must be given below even if they appear on the above sketch ):

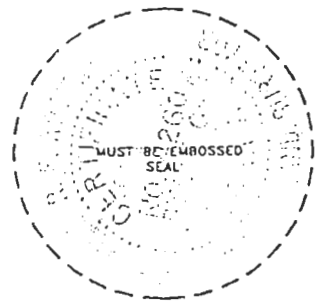
Description	Bearing	Distance
DISK 0135 IN POWER POLE	N 75°45'09" W	214.53'
DISK 0133 IN POWER POLE	N 61°58'03" E	102.00'
DISK 0134 IN POWER POLE	S 11°17'50" W	99.51'
IRON PIN AT S 1/4 COR.	N 89°36'44" W	2635.84'

SURVEYORS CERTIFICATE: I certify the monument and accessories indicated above were field located on SEPTEMBER 9, 19 93.

[Signature] PLS 4260  
 SIGNATURE  
1/30/95  
 DATE  
 CHARLOTTE COUNTY SURVEY DEPT.  
 FIRM OR AGENCY  
 7000 FLORIDA STREET  
 ADDRESS  
 PUNTA GORDA, FLA. 33950  
 CITY STATE

UPDATED 1/24/95

473



Completeness checked by: [Signature]  
 Accepted and filed: 3-1-95 Date  
 B.L.M. - I.D. 06313205 D.N.R. USE ONLY

SEND TO:  
 Department of Natural Resources  
 Bureau of Survey and Mapping  
 3900 Commonwealth Boulevard  
 Mail Station 105  
 Tallahassee, Florida 32399  
 DNR 53-001(16)  
 REV. 7/16/92  
 PAGE 2 OF 2