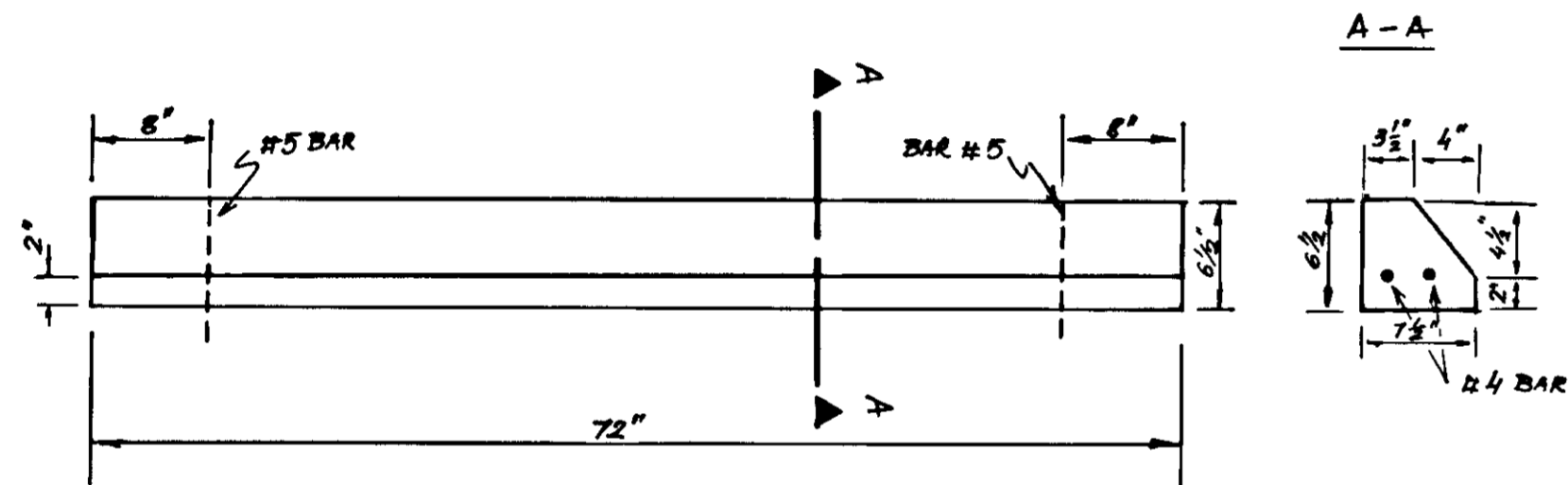


When used on high side of roadways, the cross slope of the gutter shall match the cross slope of the adjacent pavement and the thickness of the lip shall be 6", unless otherwise shown on plans

**TYPE "F"**

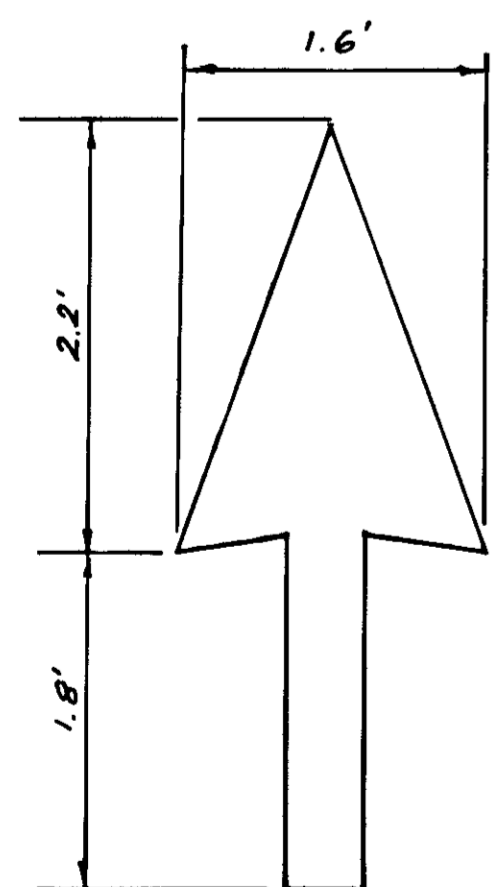
CONC. CURB  
NO SCALE

**DETAIL "A"**

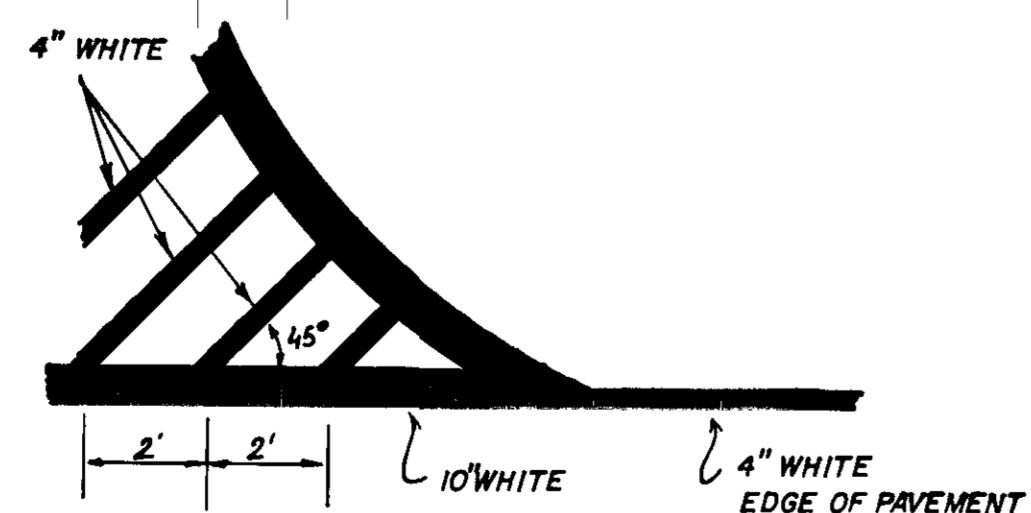


**CURB STOP DETAIL**  
SCALE 1" = 1'

**DETAIL "C"**

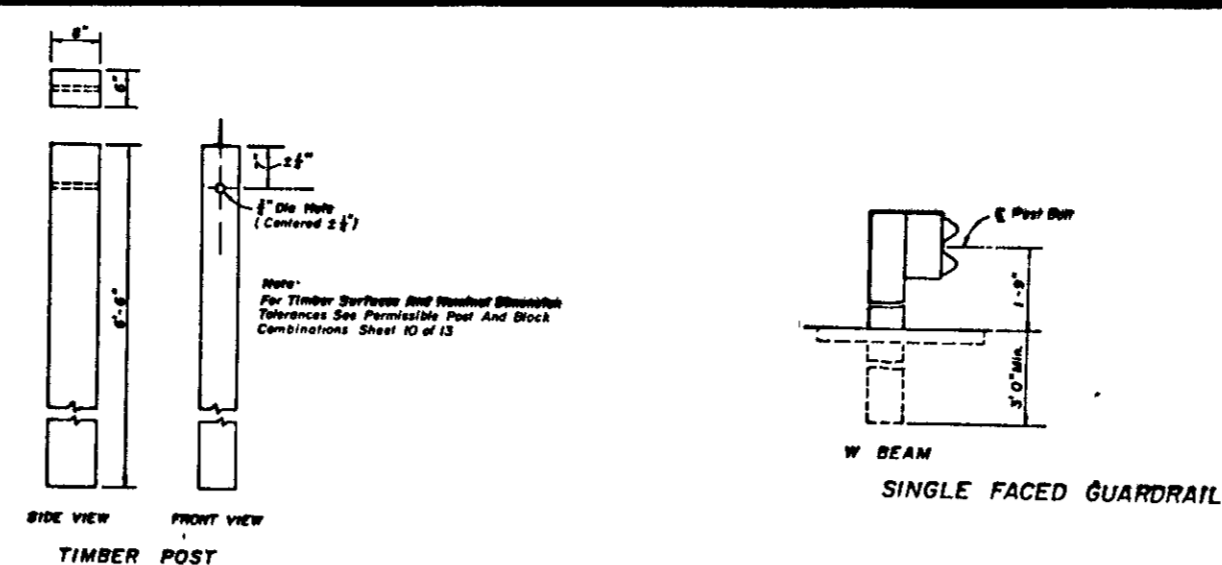


**TYPICAL PARKING ARROW**  
SCALE 1" = 1'



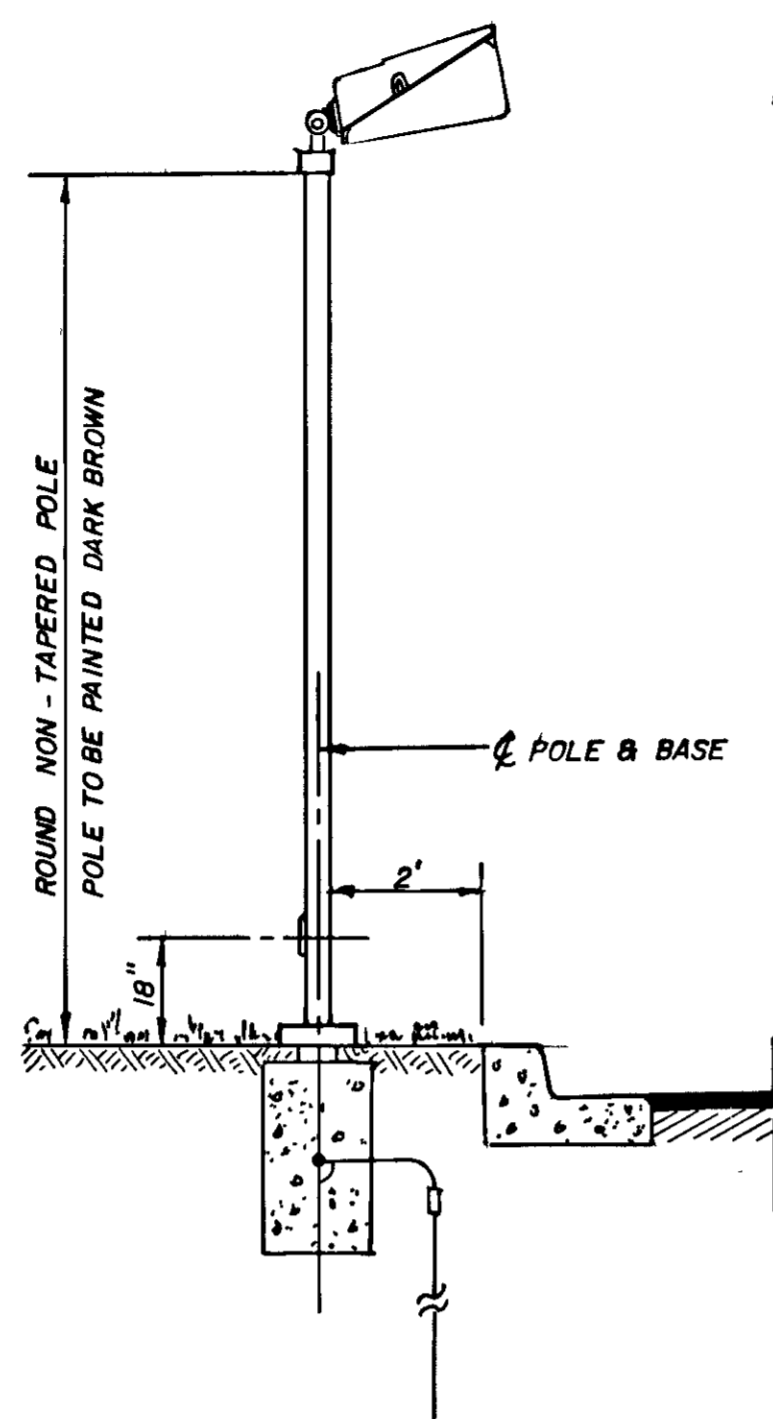
**PAVEMENT MARKING** SCALE 1" = 40"

**DETAIL "D"**



POST	OFFSET BLOCK	Remarks
Timber	6" x 8" x 5' 8" (Nominal) 4" Timber	Post hole in timber block to be centered (± 1/2") See note below for timber surfaces and tolerances.

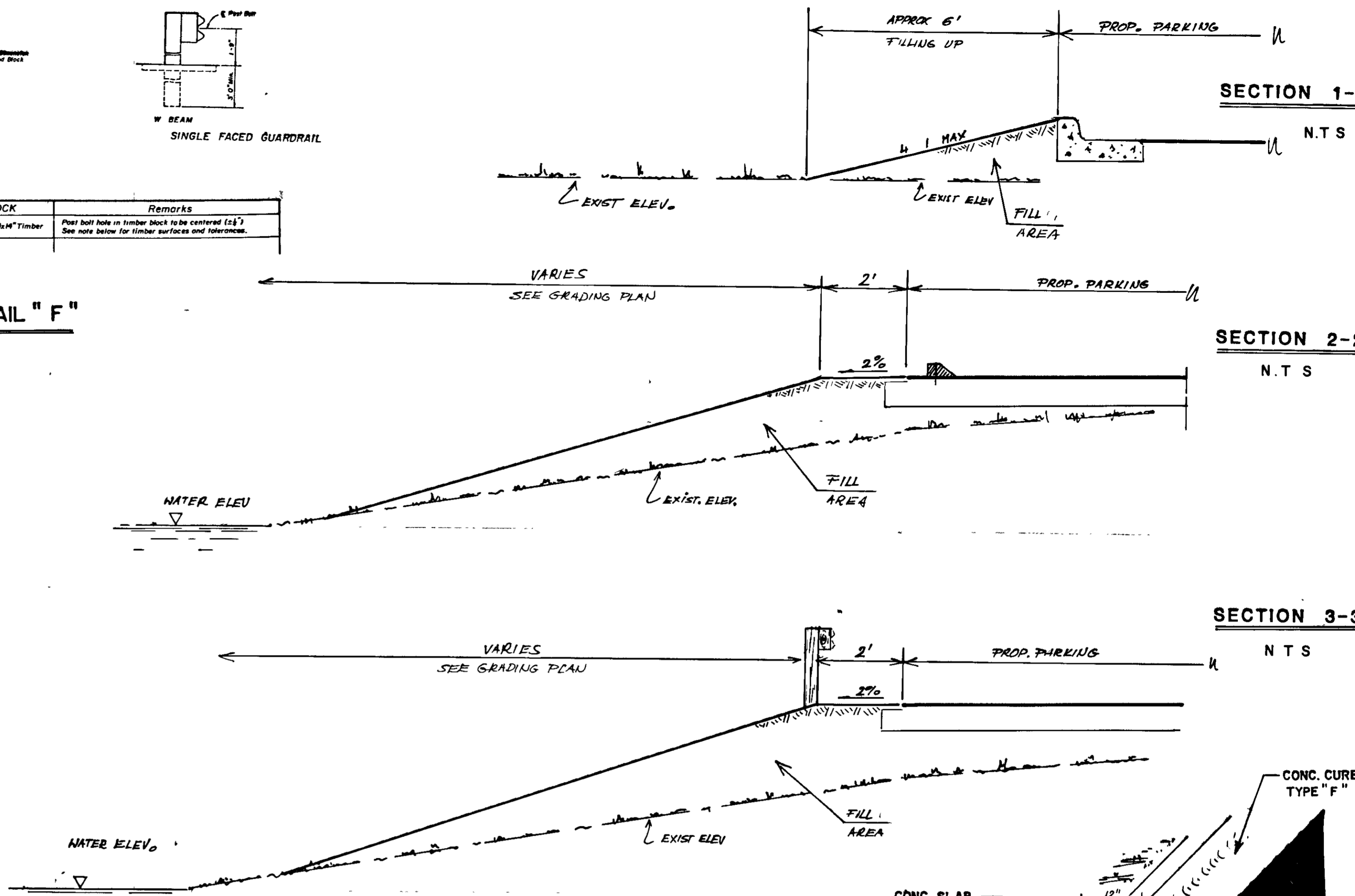
**DETAIL "F"**



**LIGHT POLE**

C539N082  
400-Watt  
Metal-Halide

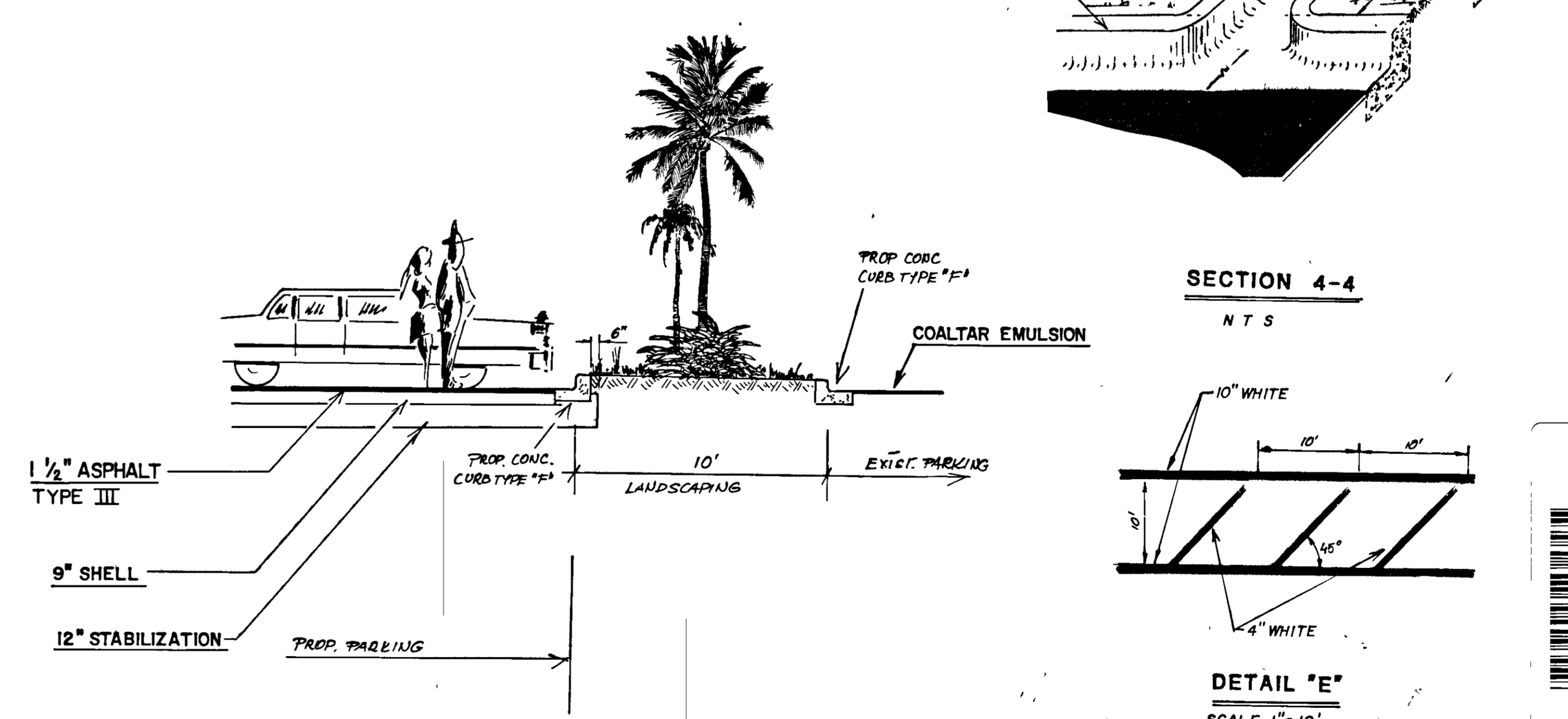
**DETAIL "B"**



**SECTION 1-1**

**SECTION 2-2**

**SECTION 3-3**



**SECTION 4-4**

**SECTION 5-5**

See grading sheet

	<b>COUNTY OF CHARLOTTE</b> COUNTY ENGINEERING DEPARTMENT PUNTA GORDA, FLORIDA	
	<b>CHARLOTTE COUNTY SHERIFF'S OFFICE</b> <b>ADDITIONAL PARKING LOT DETAILS</b>	
SCALE NONE	DES BY B B	SHEET 2 OF 5
DRW BY C H	CHK BY W J G	
SURVEYED BY NONE	APPROVED BY L D	DRAWING No 722
DATE	JOB No	