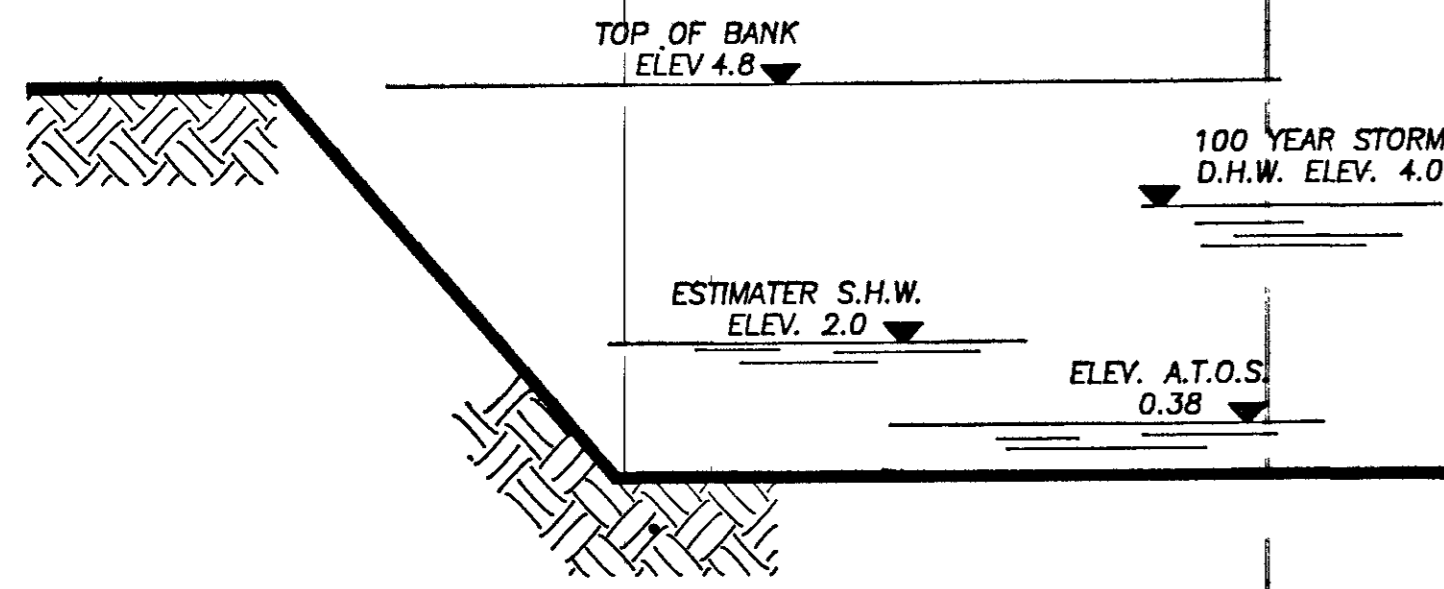


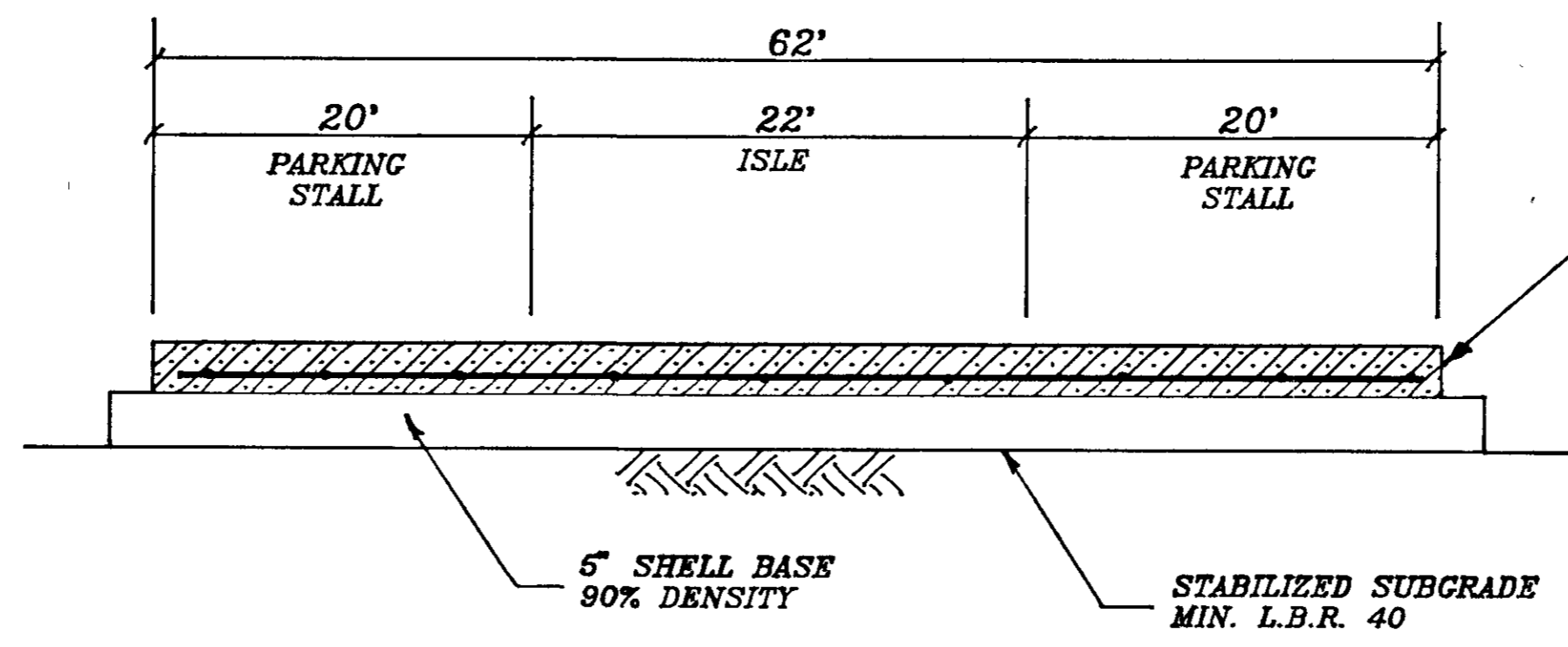
TYPICAL LAKE SECTION



STAGE STORAGE CALCULATION

TOTAL STORAGE PROVIDED = 693,982 cf @ ELEV. 4.8
 100 YEAR STAGE ELEV = 493,059 cf @ ELEV. 4.0
 SEASONAL HIGH WATER ELEV. = 0 cf @ ELEV. 2.0
 $693,982 \cdot 2.8' = 493,059 \cdot X$
 $X = 1.99'$ USED 2.0' + ELEV. 2.0' N.G.V.D. = 4.0

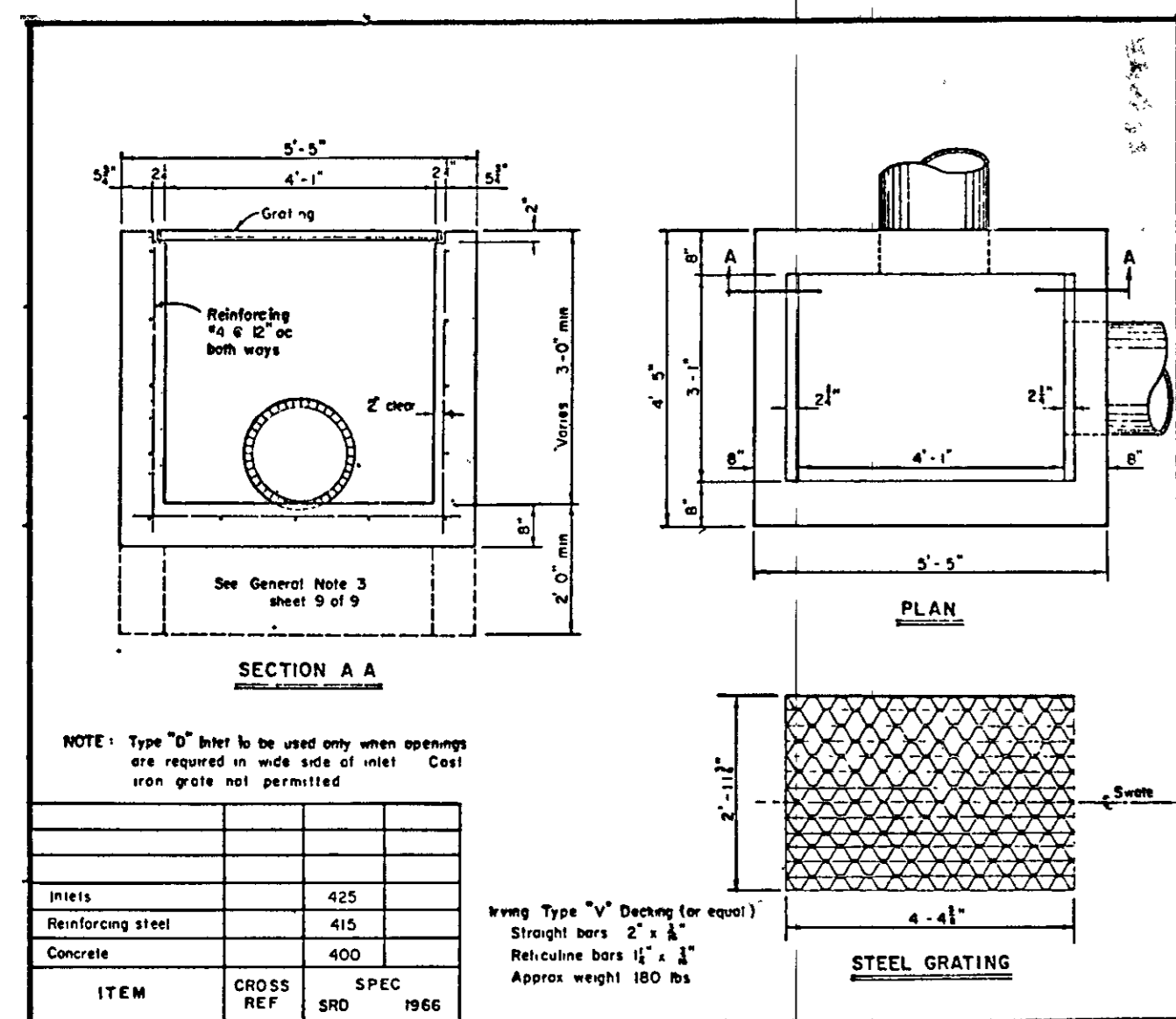
NOTE: CONTRACTION JOINTS
 12' O.C. EACH WAY



OPTION 1" MIN. 3,000 P.S.I. ASPHALT SURFACE.

TYPICAL PAVEMENT SECTION

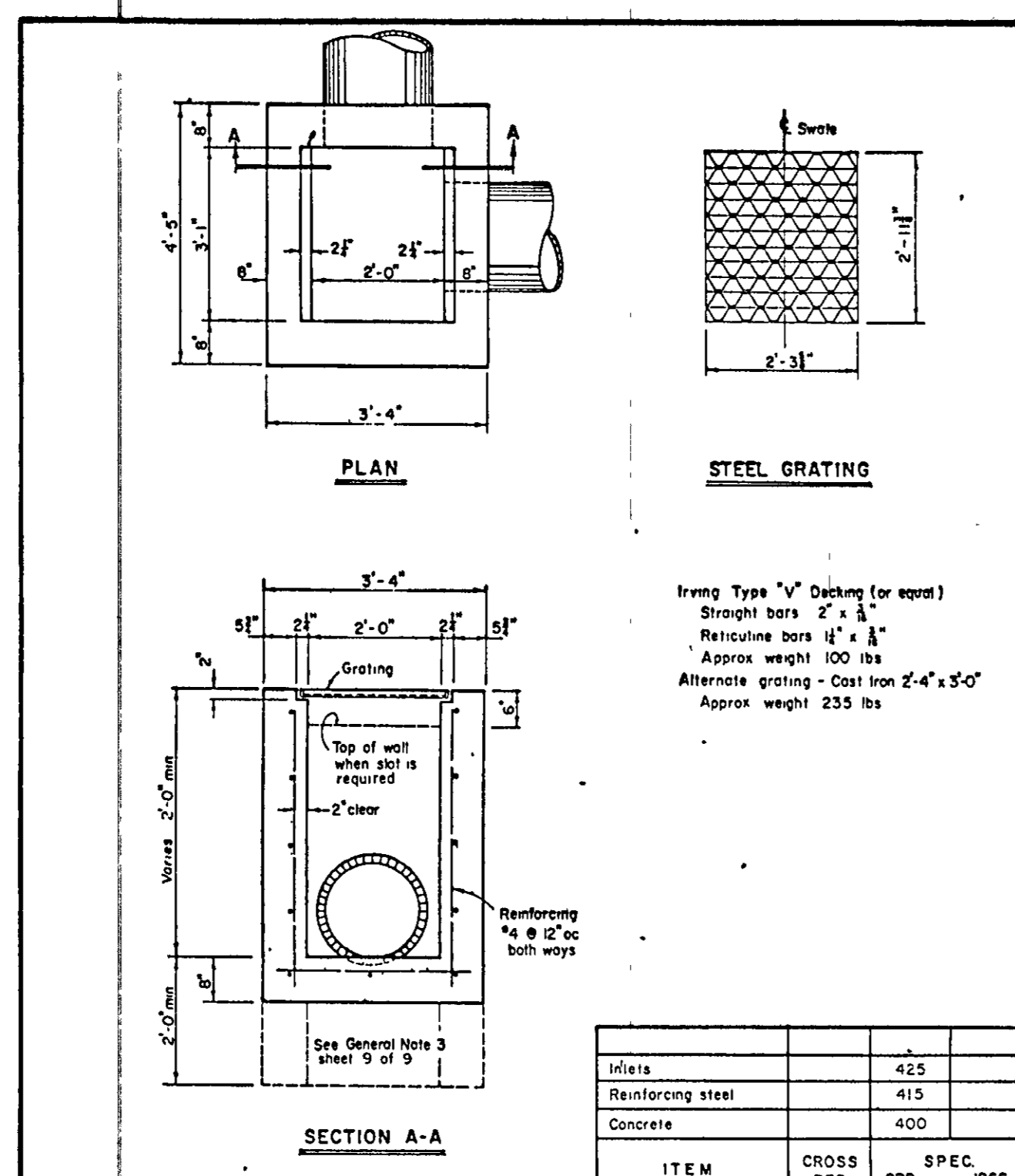
N.T.S.



NOTE: Type "D" filter to be used only when openings are required in wide side of inlet. Cast iron grate not permitted.

ITEM	CROSS REF	SPEC	SRD	SPEC	1966
Inlets		425			
Reinforcing steel		415			
Concrete		400			

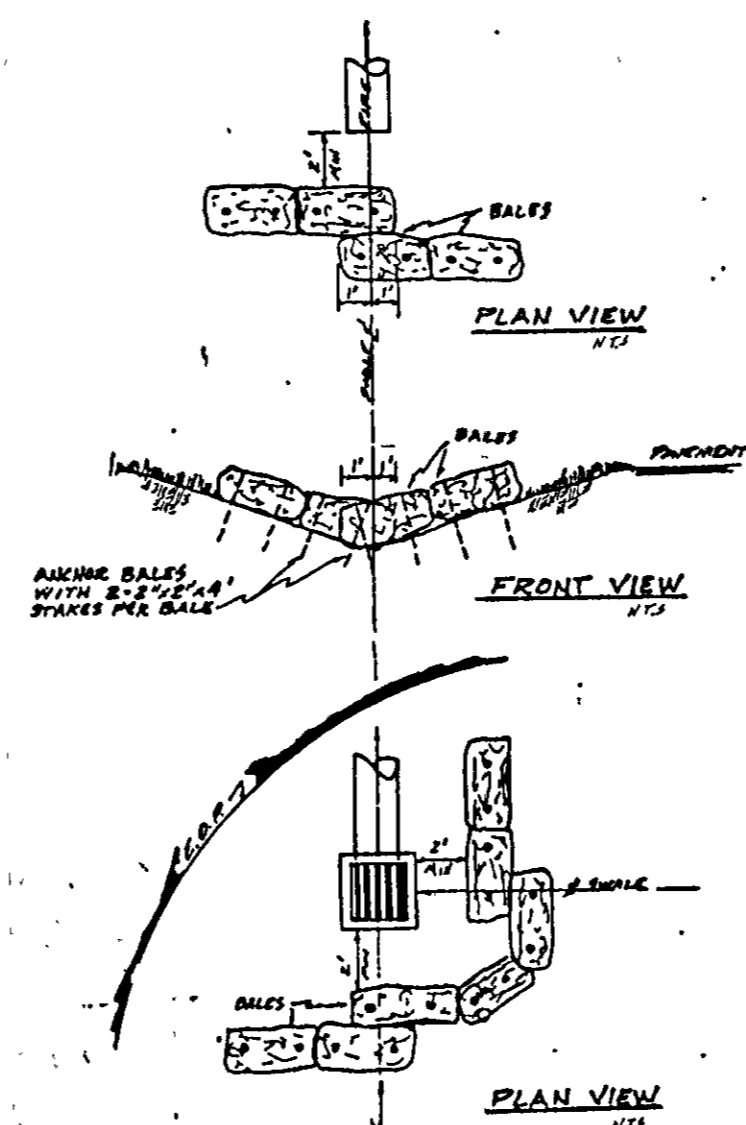
TYPE 'D' CATCH BASIN



Irving Type "V" Decking (or equal)
 Straight bars 2" x 1/4"
 Reticuline bars 1/2" x 1/4"
 Approx. weight 100 lbs
 Alternate grating - Cast Iron 2'-4" x 3'-0"
 Approx. weight 235 lbs

ITEM	CROSS REF	SRD	SPEC	1966
Inlets		425		
Reinforcing steel		415		
Concrete		400		

TYPE 'C' CATCH BASIN



- To be placed in the swale two feet upstream from the inlet end of culvert pipes or catch basins which are directly connected to canals.
- Bales to remain in place until swales are fully stabilized.
- Baled hay or straw barriers shall be included in the unit bid for swale grading.

BALED HAY OR STRAW BARRIER



COUNTY OF CHARLOTTE
 COUNTY ENGINEERING DEPARTMENT
 PUNTA GORDA, FLORIDA

DETAIL SHEET

SCALE _____
 DES BY _____
 DRW BY _____
 CHK BY _____

SURVEYED BY _____ SHEET 4 OF 7
 APPROVED BY _____ DRAWING No 863
 DATE _____ JOB No _____